

Intellian s6HD

America's Top Marine Satellite TV System

Watch All 3 Primary DIRECTV Satellites at Once



Watch 3 DIRECTV Satellites at once

Intellian s6HD provides simultaneous reception of HDTV channels from 3 primary DIRECTV's Ka-band and Ku-band satellites located at 99°W, 101°W and 103°W. Tune in your favorite channels on any of the 3 satellites as easy as you do at home without waiting for satellite switching.

Non-Primary DIRECTV service receptions

Intellian s6HD is also capable of receiving DIRECTV local channels broadcasted through other 2 DIRECTV Ku-band satellites located 110°W and 119°W as well as Dish Network and Bell TV services.

High performance & Big value

All these benefits are yours to enjoy without having to worry about a hefty price tag. Our goal is to provide an affordable, high value system so you can enjoy big- ticket broadcast entertainment and not have to worry about the price of admission.

Wireless connectivity & Aptus mobile

The new built in Wi-Fi ACU enables connectivity with the Aptus App that allows for simple system control and monitoring, including One-Touch Satellite library and firmware updates.

Simply & Easy installation

Intellian s6HD system is quick and easy to install through its single cable connection from the antenna to the ACU. With an integrated Single Wire Multiswitch(SWM), the s6HD can connect up to 16 receivers as default to allow easy installation. In addition, s6HD is upgradable up to 32 receivers.

Multi-band alignment control system

With a built-in Multi-band alignment control system, Intellian s6HD is capable of keeping the multi-feed alignment toward the 3 primary DIRECTV's satellites at sea even during harsh marine environment or high-speed cruise.

Wide elevation angle

Intellian s6HD provides wide elevation range from +5° to +90° to ensure you to have seamless, uninterrupted and reliable satellite receptions throughout U.S. water.

Intellian
Connect with the best

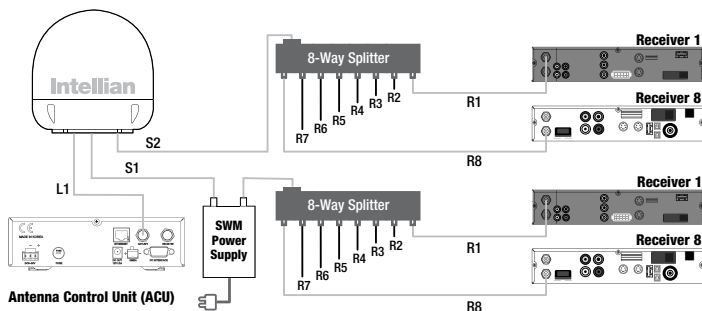
Intellian s6HD

24" Ka and Ku-band 2-axis Marine Satellite Antenna Systems

Technical Specifications

Physical	
Radome Height	72cm / 28.3"
Radome Diameter	70cm / 27.5"
Reflector Diameter	61cm / 24"
Weight	21.6kg / 47.8lbs
Environmental	
Operating Temp. Range	-25°C to +55°C / -13°F to +131°F
Storage Temp. Range	-40°C to +80°C / -40°F to +176°F
Water Ingress	IPX6
Approvals	CE / FCC
Warranty	3 year parts and 2 year labor
Performance	
Reception Frequency	Ka-Band (18~22GHz) / Ku-Band (10.7~12.75GHz)
Polarization	Circular
Minimum EIRP	47dBW
Azimuth Range	680°
Elevation Range	+5° to +90°
Ship's Motion	Roll ±25°, Pitch ±15°
Roll & Pitch Response Rate	45° / sec
Turning Rate	45° / sec
RF Output	Quad Output
Antenna Control Unit	
Dimensions (W x D x H)	17.8cm x 21.6cm x 5.38cm / 7" x 8.5" x 2.1"
Weight	1.2kg / 2.6lbs
Display	2 line 20 character VFD module
GPS Interface	Built-in (NMEA 0183 GPS)
Power Requirement	9.0~30.0V DC
Power Consumption	Typ. 30W, Max. 50W

System Diagram



Coverage Map



Advanced Diagram

W/ 32 Receivers SWM Extension Kit

