

Intellian

v45C

COMPACT & LIGHT
45cm Maritime VSAT system



FEATURES

COMPACT & LIGHT VSAT

Intellian's v45C is a compact and light-weight 45cm and 23kg maritime Ku-Band system. The v45C VSAT system is designed to deliver enhanced connectivity and user experience to smaller boats and vessels, including fishing, leisure, commercial and government. The antenna offers exceptional value and performance no matter the communication needs or space constraints onboard.

QUICK & EASY INSTALLATION

The system is designed to be easy to install and reduce costs for users. The v45C includes a single cable design, combining Tx, Rx and DC power into one single solution. The single coaxial cable is connected externally on the base of the radome, with no requirement to access the inside of the radome, reducing complexity for the customer during installation and maintenance.

ANTENNA MANAGEMENT PLATFORM

AptusNX is a responsive web user interface to manage and control the antenna system. AptusNX includes an intelligent installation Wizard to simplify system configuration so that users can become connected faster than ever before. The platform also includes diagnosis function which enables accurate and enhanced antenna performance checks both on-board and remotely. This reduces the need for on-board maintenance and improves performance.

UNRIVALLED GLOBAL SUPPORT

Intellian's global operation and logistic centers ensure the fastest, most cost-effective delivery of products and support services to our customers. Intellian is able to provide industry leading global support through our in-house engineers and an extensive network of dealers and service partners. Intellian v45C users can feel secure in the knowledge that wherever the voyage takes them, a highly trained, fully equipped Intellian support facility is nearby.

OPTIMIZED PERFORMANCE

Customers have the flexibility of connecting their v45C antenna via their Ku-band service provider of choice, knowing that the RF design is optimized to deliver best-in-class performance and efficiency. The advanced design ensures optimal performance on both HTS and wide beam Ku-band satellites, delivering an unparalleled user experience for a product of this form factor.

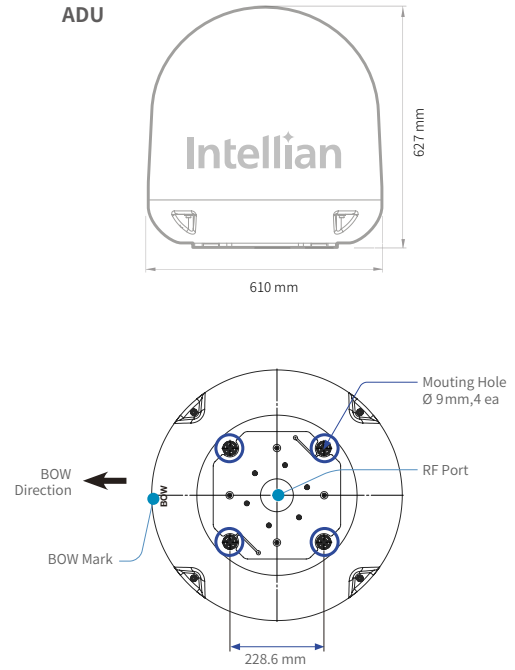
v45C 45cm Compact & Light Ku-band VSAT System

TECHNICAL SPECIFICATIONS

ABOVE DECK UNIT

Radome Height	627 mm / 24.6"
Radome Diameter	610 mm / 24"
Reflector Diameter	450 mm / 17.7"
ADU Weight	23 kg / 50.7 lbs
Platform	4-axis / Azimuth, Elevation, Cross-level, Skew
Azimuth Range	680°
Elevation Range	-5° to +115°
Cross-level Range	± 20°
Stabilization Accuracy	0.2° max in presence of specified ship motions
Tx Frequency	13.75 ~ 14.5 GHz Ku-band
Tx Gain	34.8 dBi @ 14.25 GHz
Rx Frequency	10.7 ~ 12.75 GHz Ku-band
Rx Gain	33.2 dBi @ 11.7 GHz
G/T	> 12.3 dB/K @ 12.75 GHz (Clear Sky, 30° Elevation)
BUC Power	6W
LNB	Universal PLL LNB
Polarization	Linear, Cross-pol Only
Antenna Cable	Single 50 ohm coax cable for Rx, Tx, FSK, Reference and Power from ACU to ADU

SYSTEM DIMENSION



BELOW DECK UNIT

Dimension (WxDxH)	431 mm x 350 mm x 44 mm / 17" x 13.8" x 1.7"
Weight	5.2 kg / 11.5 lbs
LED Indicator	6 LEDs for Power, INT/Search, Tracking, Lock, Setup, Error
Gyrocompass Interface	NMEA0183
Modem Interface	Ethernet port / RS-232C, -422C / I/O Console
Remote Management	Yes
Management Port	Yes
Intellian LAN Port	Yes
Power Requirement	100~240 V AC, 50~60 Hz, 1A

SYSTEM DIAGRAM

