



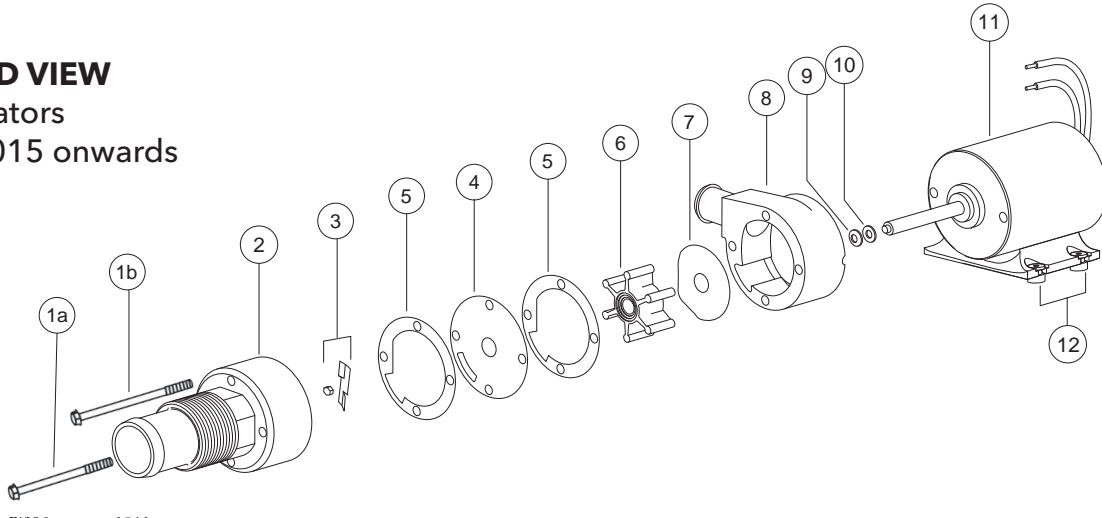
# SERVICE KIT 18598-1000 BOLT KIT 17288-1000

a xylem brand

## INSTRUCTIONS FOR MACERATOR SERVICE KIT AND REPLACEMENT BOLT KIT

### EXPLODED VIEW

For Macerators  
January 2015 onwards



#### Tools required for macerator service

- 5/16 wrench or nut driver
- 7/16 wrench or nut driver
- Medium strength loctite (blue)
- Sharp blade to remove old gasket material
- Marker to make an alignment mark

#### Macerator servicing

1. Use marker to make an alignment mark on the macerator housing (key 2) the large wear plate (key 4), the body (key 8) and the motor (key 11).
2. Remove 4 bolts (key 1a & 1b) from the macerator housing (key 2), using a 5/16 wrench.
3. Remove macerator housing (key 2) from the body.
4. Remove the nut and chopper plate (key 3) using a 7/16 wrench from the motor shaft. The shaft can be prevented from turning by inserting a flat blade screw driver into slot at the opposite end the motor, (rubber cap may need to be removed).
5. Remove the 2 paper gaskets (key 5) and the large wear plate (key 4) from between the macerator housing (key 2) and the body (key 8). Clean off old gasket material from the large wear plate (key 4) using a sharp blade and save the wear plate.
6. Remove the body (key 8) from the motor (key 11).
7. Discard the body (key 8), the impeller (key 6) and the small wear plate (key 7).
8. Remove the slinger (key 10) from the motor shaft and save.

**Note:** If reconditioning macerator pump with a service kit, (Part No. 18598-1000), it is not necessary to remove the slinger when servicing the pump.

#### Macerator assembly

1. Install the slinger (key 10) onto the motor shaft.
2. Install the body (key 8) onto shaft with the discharge in the desired direction.
3. Install the small wear plate (key 7) into the body (key 8).
4. Install a new impeller (key 6) into the body (key 8) by flexing the blades to either side. The blades will correctly orientate themselves when the pump is turned on.
5. Install first gasket (key 5), the large wear plate (key 4) followed by the second gasket (key 5). Align the gaskets and the wear plate with the cut-out on the body.

6. Align the chopper plate (key 3) with the drive tab and the flat section on the motor shaft.
7. Install the nut (key 3) onto the motor shaft. Hold the shaft with a flat blade screw driver, on the opposite side on the motor, to prevent the shaft from turning when tightening the nut. Torque the nut to 18-20 in/lbs., using a 7/16 wrench.
8. Install the macerator housing (key 2) over the chopper plate (key 3). Add loctite to all of the bolts and line up the holes for the macerator housing (key 2), gaskets (key 5), large wear plate (key 4), and the body (key 8) to the motor (key 11).
9. Be sure to align all of the alignment marks made using the marker during disassembly.
10. Tighten all 4 bolts on the macerator housing a 5/16 wrench. Torque all bolts to 16-18 in/lbs.

#### Macerator pump stud change

Tools needed for stud change to bolts

- 3/8 wrench
- 5/16 wrench or nut driver
- Needle nose vice grips
- Medium strength loctite (blue)
- Sharp blade to remove the old gasket material
- Marker to make an alignment mark

#### Process to change the studs to bolts

There are 2 different lengths of bolts

Ensure you match up the old studs to the correct length bolts. 2 bolts are 3" long and the other 2 bolts are 33/4" long.

Remove one stud at a time to ensure no movement of the housing and gaskets.

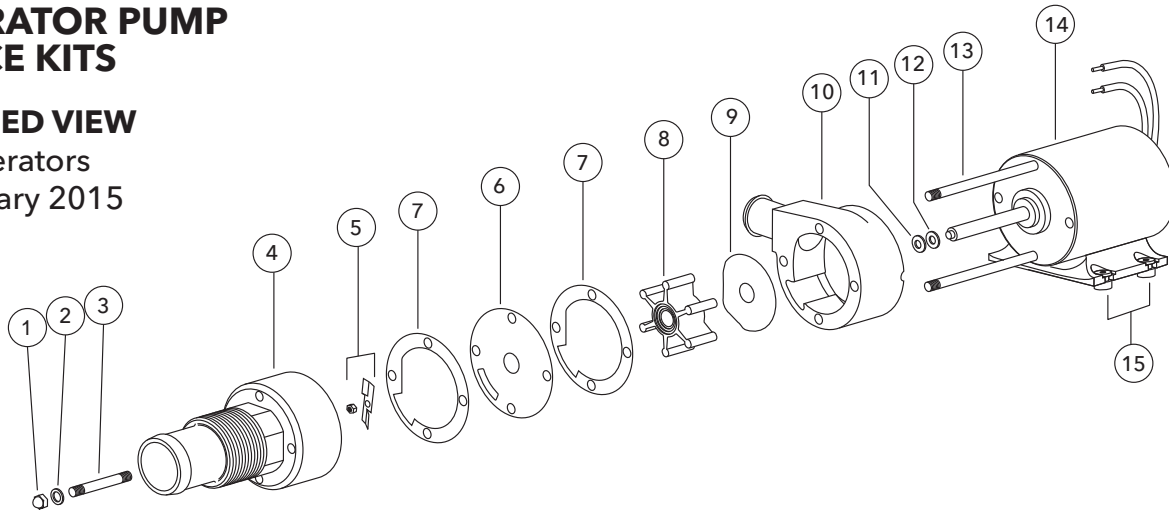
1. Use marker to make an alignment mark on the macerator housing, the body and the motor.
2. Remove acorn nut and fiber washer from studs using a 3/8 wrench (these parts may be discarded).
3. Remove stud from housing, body and motor using vice grips.
4. Add loctite to the new bolt and install into housing, body and motor.
5. Repeat the same process for all 4 bolts.
6. Tighten all 4 bolts using a 5/16 wrench to 16/18 lb-in.
7. Check for leaks.

a xylem brand

## MACERATOR PUMP SERVICE KITS

### EXPLODED VIEW

For Macerators  
Pre January 2015



Note the position and direction of the discharge port so the pump can be reassembled in the same configuration.

### Disassembly

1. Remove the four acorn nuts (Key 1) and fiber washers (key 2).
2. Slide the macerator housing (key 4) off the studs.
3. Remove the chopper and lock nut (key 5) from the shaft to prevent the shaft from turning insert a flat blade screwdriver into the rear of the shaft (exposed at rear of motor). For macerators manufactured prior to June 1998. Position a screwdriver between the cast bronze chopper and unscrew it (counter-clockwise) and remove (with lock washer) from the shaft.
4. Remove the pump wearplate (key 6) and two paper gaskets (key 7).
5. Slide the pump body (key 10) including the impeller (key 8), small wearplate (key 9) and seal (not shown) as an assembly off the motor shaft.
6. Remove the two short studs (key 3) from the pump body (key 10) to be re used in the replacement pump body provided in the service kit.
7. Alternatively, purchase Bolt Kit 17288-1000 to replace all for studs (key 3 & 13) with stainless steel bolts (recommended). See bolt replacement instructions on opposite page.

### Assembly (with original studs)

1. Install the two short studs (key 3) into the new pump body and tighten finger tight (If using bolt kit 17288-1000 refer to instructions for macerators manufactured from January 2015 onwards).
2. Slide the new pump body with the shaft seal installed onto the motor shaft and two long studs (key 13) in the motor.
3. Position the new small wearplate (key 9) over the motor shaft into the bottom of the new pump body.
4. Slide the new impeller onto the motor shaft, squeeze the blades of the impeller, twist and push to ensure alignment within the pump body.
5. Position one new gasket against the pump body ensuring the cut-out aligns with the inlet groove in the pump body.
6. Position the large wear plate (key 6) and second gasket on the pump body making sure they align with the first gasket and pump body.
7. On macerators manufactured prior to June 1998 position the chopper on the shaft thread, grip the shaft with a wrench and tighten the chopper by inserting a screw driver between the prongs.
8. On macerators manufactured after June 1998 locate the flat of the stainless steel chopper with the flat of the shaft ensuring the chopper flat is pointing toward the motor. Secure the chopper with the lock nut and tighten while preventing the shaft from rotating.
9. Position the macerator housing on the four studs ensuring the cut-out in the inner wall aligns with the pump body inlet port and wear plate.
10. Position the fiber washers and acorn nuts on the studs and tighten, do not over tighten as this may damage the housing.