



a xylem brand

### COMMERCIAL DUTY WATER PUPPY

#### FEATURES

- Body:** Bronze
- Impeller:** Jabsco Nitrile compound
- Seal:** Lip Type
- Ports:** 1/2" Internal Pipe Threads  
1" External Hose Barb  
Adapter for 3/4" External Garden Hose Thread included
- Motor:** Permanent magnet type, fully enclosed, stainless steel shaft, ball type shaft bearing, has adequate torque to reverse the pump
- Dimensions:** 3" (76mm) high, 6-7/8" (175mm) long, 4-3/4" (120mm) wide
- Weight:** 6 lb (2.7 kg)

Motor meets USCG Electrical Standard 183.410 and ISO 8846 MARINE for IGNITION PROTECTION on gasoline powered vessels.

**⚠ WARNING**  
Explosion Hazard. Do not pump gasoline, solvents, thinners or other flammable liquids. To do so can cause an explosion resulting in injury or death.

**⚠ WARNING**  
Explosion Hazard. Do not operate with rivets removed from motor case. Explosion resulting in personal injury, death or property damage can occur. Case openings must be sealed to avoid explosion and maintain ignition protected rating.

#### APPLICATION

Use for bilge pumping, livewell circulation, washdown and general pumping requirements. For intermittent duty, motor may be reversed to empty bait tank.

Pump has a dry prime suction lift of about 6 feet (2m) and a lift to 20 feet (6m) when primed. BE SURE SUCTION LINES ARE AIRTIGHT.

#### INSTALLATION

The pump must be mounted in a dry location—the motor is not waterproof and must not be submerged. SELECTION OF A COOL VENTILATED location will generally extend pump motor life. The unit can be mounted in any desired position. It is best to mount so that water dripping from loose port connection will not wet the motor. The pump head may be rotated 180° on the motor to change the direction of flow.



Model 18670-Series

Model	Voltage
18670-0123	12 Vdc
18670-0923	12 Vdc
18670-0943	24 Vdc

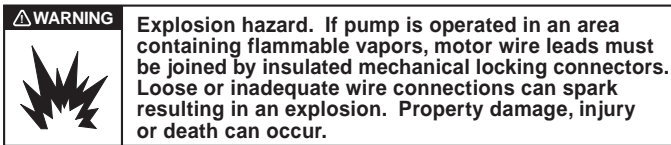
#### PLUMBING CONNECTIONS

Pump ports have external 1" hose barb and internal 1/2" pipe threads. Also provided are two male port adapters to allow the attachment of 3/4" female garden hose fittings. Use hose that does not kink when bent and with sufficient wall thickness to prevent collapse when used on suction side of pump. Hoses should be routed so that some water will be retained in pump body to wet the impeller. Wetting the impeller aids in priming and extends impeller life. Use a strainer on the intake hose to stop trash and solids from going through the pump. All hoses must have airtight connections to enable faster priming.

PSI	Total Head		Capacity	
	Feet	Meters	GPM	LPM
2.1	5	1.5	9	34.1
4.3	10	3.0	8.4	31.8
6.5	15	4.6	7.7	29.1
8.7	20	6.1	6.9	26.1

Table shows approximate Head-Flow for new pump.

## ELECTRICAL CONNECTIONS



Connect black wire to negative (–) terminal of battery. The orange wire should run to a properly sized (see electrical specifications) overload protected switch or circuit breaker, with a wire from switch or breaker to positive (+) terminal of battery. Electrical circuit must be independent of all other accessories. A reversing switch may be used to reverse the pump (JABSCO Part Number 18753-0652). Preferred motor rotation is clockwise looking at shaft end of motor. To prolong motor life, install pump so normal motor rotation is clockwise. Use proper wire size as determined by wire table below.

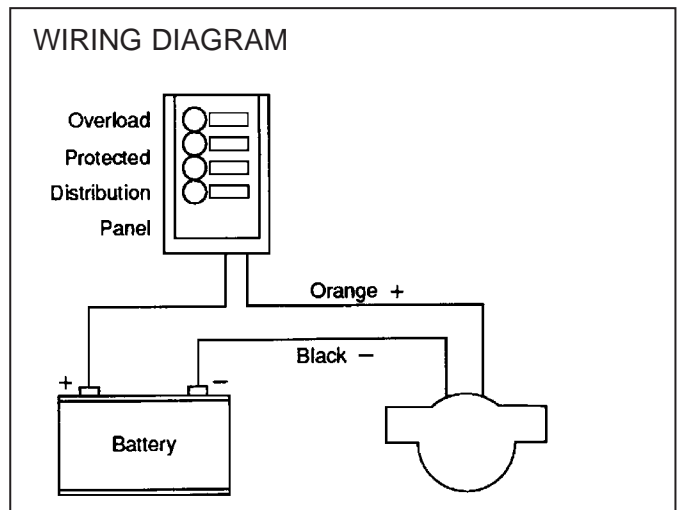
### OPERATION

Flexible impeller pumps must NOT be run dry, as the pumped liquid is the lubricant for the impeller. Observe the outlet and shut off pump as soon as liquid stops flowing. An automatic level switch is convenient to control the pump in some applications.

The pump cannot run against a closed outlet such as encountered when using a garden hose type shut-off nozzle.

Pressure for normal operation should not exceed 20 feet of head (8.7 psi).

Temperature of pumped liquid may be in the range of 45° - 180°F (7° - 82°C).

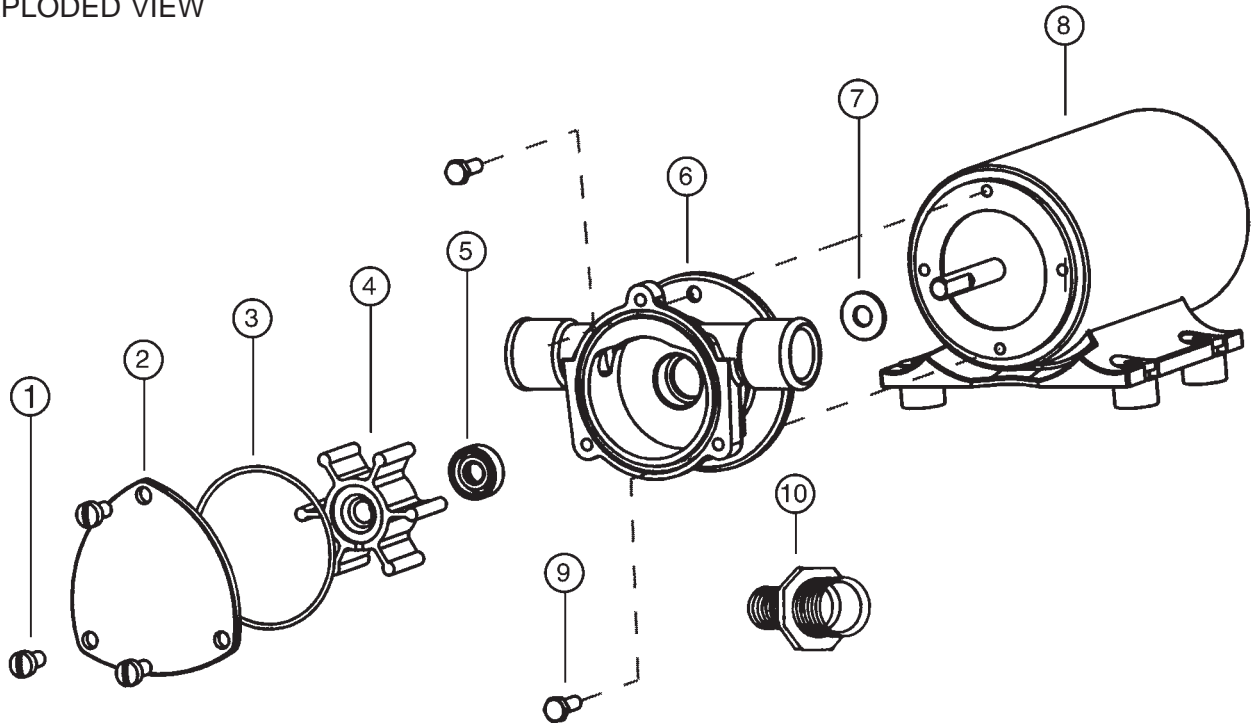


## ELECTRICAL SPECIFICATIONS – MINIMUM WIRE SIZE

Model No.	VOLTAGE	AMP DRAW	FUSE SIZE	WIRE SIZE PER FEET OF RUN*			
				0'-10'	10'-20'	20'-30'	30'-40'
18670-0123	12 Vdc	11.5	20	#14 (2.5)	#12 (4)	#10 (6)	#10 (6)
18670-0923	12 Vdc	11.5	20	#14 (2.5)	#12 (4)	#10 (6)	#10 (6)
18670-0943	24 Vdc	5	10	#16 (1.5)	#16 (1.5)	#16 (1.5)	#14 (2.5)

\* Length of run is combined length of positive and negative conductors from power source to pump and back to ground. Wire size is SAE gauge and metric (millimetres<sup>2</sup>).

## EXPLODED VIEW



## MAINTENANCE

Check wires and connections to be sure corrosion is not adding additional resistance to the motor circuit and causing a low voltage condition **at the motor. Low voltage can inhibit motor from starting and cause fuse to blow.** Full voltage should be available to prevent motor damage.

NOTICE: If pump is idle for extended periods, the impeller may stick to the pump body, preventing motor rotation and causing blown fuses. To correct, remove end cover and impeller, clean body and impeller, then lubricate with water or small amounts of grease before assembly.

If pump is to be in freezing temperatures, drain by loosening end cover screws.

A Service Kit, or at least spare impellers, should be carried aboard to be assured of pumping capability.

## DISASSEMBLY

1. Remove end cover screws, end cover and O-ring.
2. Withdraw impeller.
3. Loosen and remove two slotted hex screws, which attach body to motor.
4. Tap body lightly between ports and remove body from motor.
5. With a 1/2" diameter dowel, push against the shaft seal from back (motor) side of the body to dislodge it from the seal bore.

NOTE: Do not tamper with or disassemble motor.

## PARTS LIST

Key	Description	Qty.	Part Number
1	Screw Kit (End Cover) (4 screws/kit)	1	91004-0090
2	End Cover	1	18647-0000
3	O-Ring*	1	18753-0660
4	Impeller*	1	6303-0003
5	Seal*	1	18753-0384
6	Body†	1	18645-0000
7	Slinger	1	6342-0000
8	Motor	1	
	Model 18670-0123 12V		18753-0050
	Model 18670-0923 12V		18753-0659
	Model 18670-0943 24V <b>CE</b>		18753-0051
9	Screw (Pump to Motor)	2	98019-0020
10	Port Adapter Kit (2 each) Service Kit	1	18753-0103 90061-0031

\* Parts Contained in Service Kit.

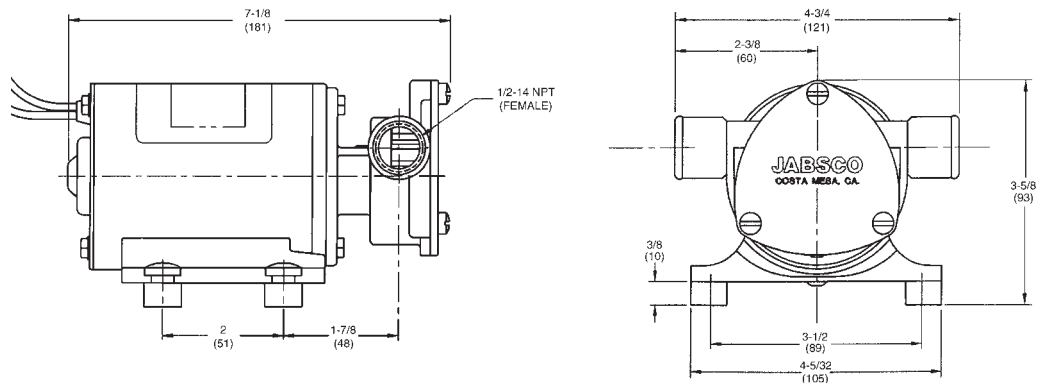
† When replacing a pump body that uses a round end cover (3 hole pattern) it is also necessary to replace the end cover, screws and replace the gasket with an O-ring (order keys 1, 2 & 3).

## ASSEMBLY

1. Lubricate seal with water and position it in seal bore with lip, or hollowed-out side of seal, pointing towards the impeller bore. With a 1/2" diameter dowel, push against the shaft seal into its bore until it contacts the bottom.
2. Lubricate motor shaft and install body on motor.
3. Lubricate impeller bore and, aligning flat in impeller with flat on motor shaft, install impeller with clockwise rotary motion.
4. Install O-ring, end cover and screws.

## DIMENSIONAL DRAWING

Inches (Millimetres)



## ONE YEAR LIMITED WARRANTY

### A. LIMITED WARRANTY:

Jabsco warrants that at the time of shipment, the products manufactured by Jabsco and sold hereunder shall be in conformity with applicable written specifications and descriptions referred to or set forth herein, free from defects in material and workmanship, merchantable, and suitable for a particular purpose, provided such is implied by State law under the circumstances of this sale.

### B. WARRANTY ADJUSTMENT:

1. Jabsco agrees to repair or furnish a replacement for, but not to remove or install, any product or component thereof which, within one (1) year from date of purchase, shall upon test and examination by Jabsco prove defective within the above warranty. Receipt verifying purchase date is required to obtain adjustment.
2. Buyer shall notify Jabsco of any defect within this warranty no later than ninety (90) days after the defect is discovered.

### C. EXCLUSIONS FROM WARRANTY AND LIMITATION OF LIABILITY:

1. The foregoing warranty is limited solely as set forth herein and applies only for the period designated above.
2. ITT SHALL NOT BE LIABLE FOR ANY LOSS, DAMAGE, SPECIAL OR CONSEQUENTIAL DAMAGE OF ANY KIND, WHETHER BASED UPON WARRANTY, CONTRACT, NEGLIGENCE, OR STRICT LIABILITY ARISING IN CONNECTION WITH THE SALE, USE, OR REPAIR OF THE PRODUCT.
3. THE MAXIMUM LIABILITY OF ITT IN CONNECTION WITH THIS WARRANTY SHALL NOT IN ANY CASE EXCEED THE

CONTRACT PRICE FOR THE PRODUCT CLAIMED TO BE DEFECTIVE OR UNSUITABLE.

4. This warranty does not extend to any product manufactured by Jabsco which has been subjected to misuse, neglect, accident, improper installation, or use in violation of instructions furnished by Jabsco.
5. This warranty does not extend to or apply to any unit which has been repaired or altered at any place other than Jabsco's factory, or by persons not expressly approved by Jabsco, nor to any unit the serial number, model number, or identification of which has been removed, defaced or changed.
6. Components manufactured by any supplier other than Jabsco shall bear only that warranty made by the manufacturer of that product.
7. This warranty applies to products defined as "consumer products" by the Consumer Product Warranties Act as from time to time amended.

### D. CONSUMER RIGHTS:

This warranty gives you specific legal rights, and you may have other rights which vary from state to state. Some states do not allow exclusion or limitation of damages.

**STANDARD WARRANTY:** If the products manufactured and sold hereunder are not Consumer Products, the warranty extended to Buyer shall be as set forth in subparagraphs (A), (B), and (C), **EXCEPT THAT ALL EXPRESS OR IMPLIED WARRANTIES OR MERCHANTABILITY OR SUITABILITY FOR ANY PARTICULAR PURPOSE ARE EXCLUDED.**



a xylem brand