



HoseCoil Quick Release Connector with 3/4" (19 mm) adapter



Model 31910-1200



Model 31911-0000



Accessory



Model 31910-1700

Quick Release Connector

The Quick Release Connector provides the perfect installation solution for your HoseCoil washdown or garden style hose. The Quick Release installs easily on your boat and allows you to stow your hose out of the way. Never trip on a hose again! This clever design will allow you to flush mount the Quick Release into your cockpit or bulkhead.

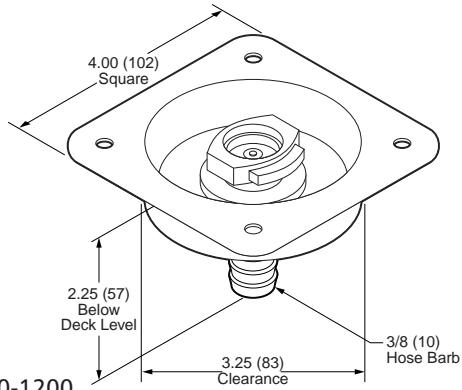


Engineered for life



DIMENSIONAL DRAWING

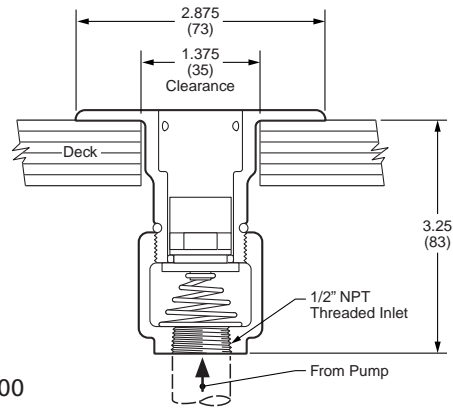
Inches (Millimetres)



31910-1200

DIMENSIONAL DRAWING

Inches (Millimetres)



31911-0000

FEATURES – 31910-1200

Quick Release Features:

- Exposed surface UV stabilized
- Provides easy connection of washdown hoses
- Standard 3/4" (19 mm) garden style hose fittings
- Self termination and sealing
- No shut-off needed

Mount Features:

- Easy to install
- Lightweight and durable plastic material
- 3/8" (10 mm) ID connection
- Stainless steel screws
- Minimal mounting surface required

FEATURES – 31911-0000

Stainless Steel Quick Release Features:

- Connects and disconnects under full pressure
- Double Viton o-ring seals
- Positive lock bayonet connector
- Standard 3/4" (19 mm) garden hose fittings

Mount Features:

- Flush mount
- Easy to install
- 316 stainless steel
- 3/8" (10 mm) ID connection

MODEL NO.	DESCRIPTION
31910-1100	Quick Release connector with 3/4" (19 mm) adapter
31910-1200	Stainless Steel Quick Release connector with 1/2" (12.7 mm) threaded inlet
31910-1700	7 pattern nozzle with stainless steel spring and molded rubber handle

