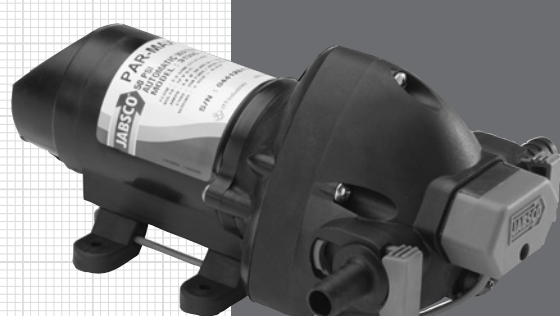


JABSCO

a xylem brand



**31295/
31395/
32600
Series**

**Automatic Water
System Pump
Manual**



JABSCO Automatic Water System Pump

a xylem brand



Not For Continuous Duty, Intermittent Duty Only

Installation/Mounting

- 1: Remove shipping plugs from the pump ports.
- 2: Connect fittings supplied with the pump to the vessels plumbing. Use 1/2" (13mm) I.D. flexible hose (preferably braided or reinforced) to reduce vibration through the plumbing system (Figure 1). Use hose clamps on the slip on barb hose connectors.

Important: Install a strainer in an accessible location (for inspection and cleaning) between the tank and the pump inlet to protect valves from debris.
- 3: Fasten pump to a flat surface. If mounting vertically; install with pumphead down (Figure 2) Do not over tighten screws to allow rubber mounts to absorb vibration.

Figure 1.

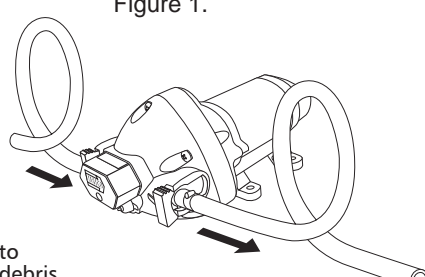
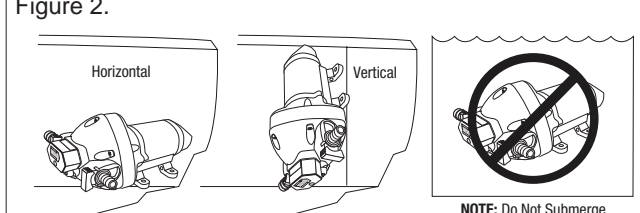


Figure 2.



- 4: Install inlet (A) and discharge (B) fittings. Firmly push slide clips (C) forward to lock fittings in place. – Figure 3

Figure 3.

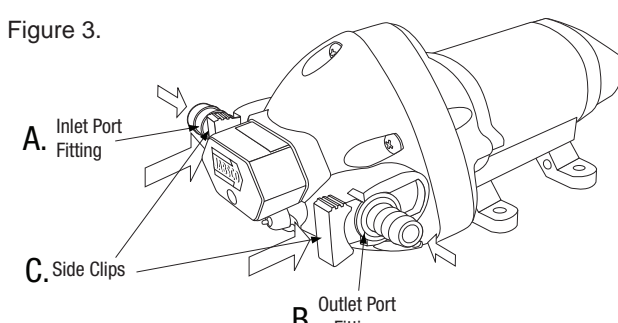
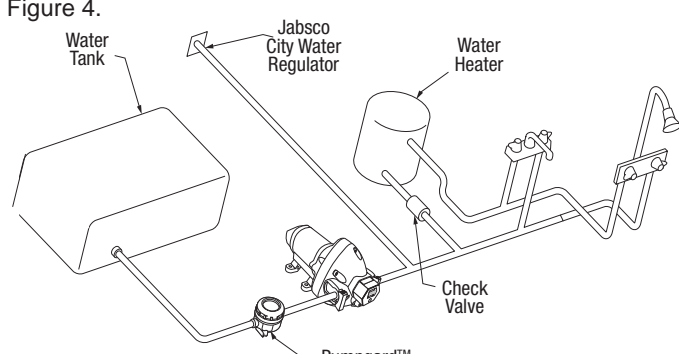


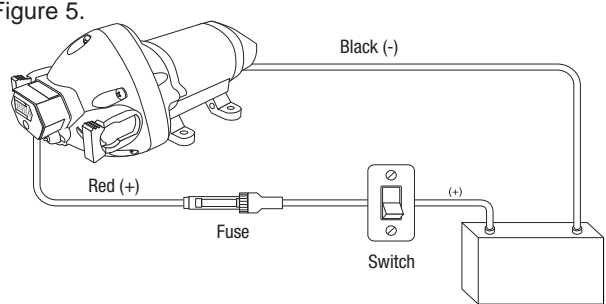
Figure 4.



WARNING Fire hazard. Wiring must comply with applicable electrical standards and include a properly sized fuse or circuit breaker. Improper wiring can cause a fire resulting in

CAUTION IF YOU ARE NOT FAMILIAR WITH APPLICABLE ELECTRICAL STANDARDS, HAVE THE UNIT INSTALLED BY A QUALIFIED ELECTRICIAN.

Figure 5.



CAUTION

Suggested wiring information is given as a reference. For proper information, please reference ABYC E-11, AC and DC Electrical Systems on Boats guidelines.

Wire Size

| Pump Voltage | Total Wire Length - feet (meters) | | |
|--------------|-----------------------------------|-----------------------------------|---------------------------------|
| | 0 - 20 ft (0 - 6 m) | 20 - 35 ft (6 - 9 m) | 35 - 55 ft (9 - 12 m) |
| 12 VDC | #14 AWG (2.5 mm ²) | #12 AWG (4 mm ²) | #10 AWG (6 mm ²) |
| 24 VDC | #16 AWG (1.5 mm ²) | #14 AWG (2.5 mm ²) | #12 AWG (4 mm ²) |

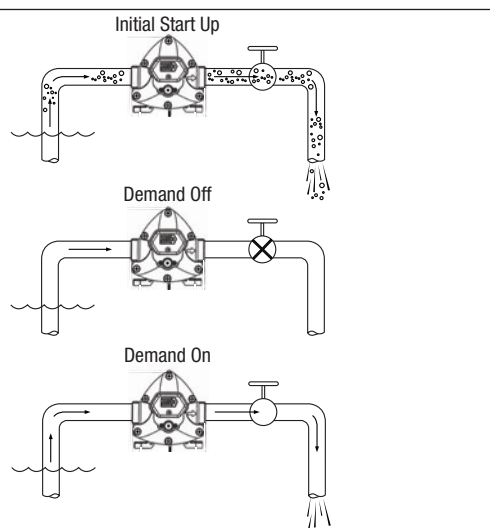
CAUTION Motor case could get hot during extended operation. Prolonged contact with skin may cause a burn.

CAUTION Install a Pumpgard™ strainer in an accessible location (for inspection and cleaning) between the tank and pump inlet in order to protect valves from debris.

Operation

- Fill water tank
- Open all faucets
- Turn pump switch "ON"

Figure 6.



- When water is free of air, turn all faucets off beginning with the faucet closest to the pump (Figure 6)

Important: Do not operate the pump more than 15 minutes continuously.

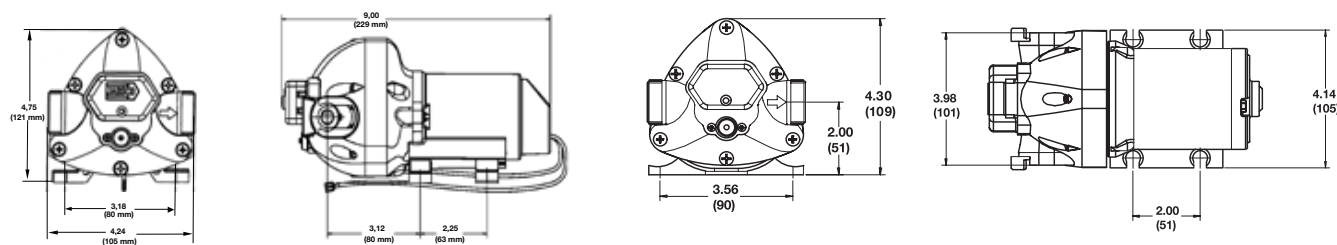
Winterizing

CAUTION

Allowing water to freeze in the system may result in damage to the pump and plumbing system. Non-Toxic antifreeze for potable water may be used with Jabasco pumps. Follow manufacturer's recommendations. Refer to boat or equipment manufacturer's instructions for their specific winterizing and drainage procedures. Do not use automotive antifreeze to winterize potable water systems. These solutions are highly toxic and may cause serious injury or death if ingested.

1. Drain the water tank. Open tank drain valve. You may use the pump to drain the tank by opening all the faucets in the system. Allow the pump to operate until the tank is empty. Do not operate the pump more than 15 minutes continuously.
2. Open all faucets and purge the water from the plumbing system. Turn off power to the pump. Be sure that all the water from the drain lines is drained.
3. Remove quick-connect inlet and outlet fittings from the pump and turn the pump on to pump out remaining water from the pump head. Be sure to have a catch pan or a rag under the pump to prevent water from spilling onto the boat. Turn the pump off once the plumbing is empty. Leave the fittings disconnected from the pump until the system is ready to be used again. Make a note on your tank filter that the plumbing is not connected.
4. Be sure that all faucets are left open to protect against damage to the plumbing.

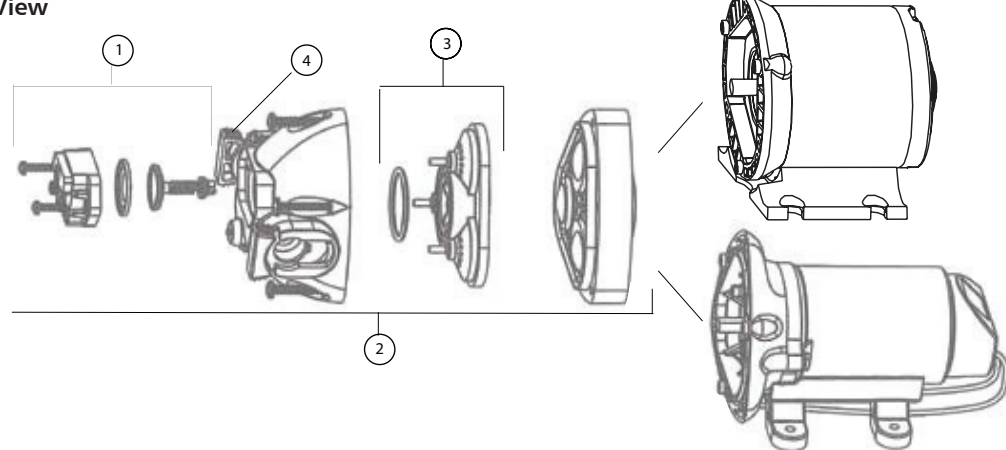
Dimensional Drawings



Model Reference

| MODEL | VOLTS | AMP DRAW (A) @ 10 psi (0.7 bar) | FUSE SIZE (A) | OPEN FLOW GPM (l/min) | MAX PSI (bar) |
|------------|--------|------------------------------------|------------------|--------------------------|---------------|
| 31395-0092 | 12V dc | 4.4 | 10 | 2.9 (11) | 50 (3.5) |
| 31395-0094 | 24V dc | 2.2 | 5 | 2.9 (11) | 50 (3.5) |
| 31395-0392 | 12V dc | 4.4 | 10 | 2.9 (11) | 40 (2.7) |
| 31395-0394 | 24V dc | 2.2 | 5 | 2.9 (11) | 40 (2.7) |
| 31395-0292 | 12V dc | 4.4 | 10 | 2.9 (11) | 25 (1.7) |
| 31395-0294 | 24V dc | 2.2 | 5 | 2.9 (11) | 25 (1.7) |
| 31295-0092 | 12V dc | 3.5 | 10 | 1.9 (7) | 25 (1.7) |
| 31295-0094 | 24V dc | 1.7 | 5 | 1.9 (7) | 25 (1.7) |
| 32600-0092 | 12V dc | 9.0 | 15 | 3.5 (13.2) | 40 (2.8) |
| 32600-0094 | 24V dc | 4.0 | 10 | 3.5 (13.2) | 40 (2.8) |
| 32600-0292 | 12V dc | 9.0 | 15 | 3.5 (13.2) | 25 (1.7) |
| 32600-0294 | 24V dc | 4.0 | 10 | 3.5 (13.2) | 25 (1.7) |

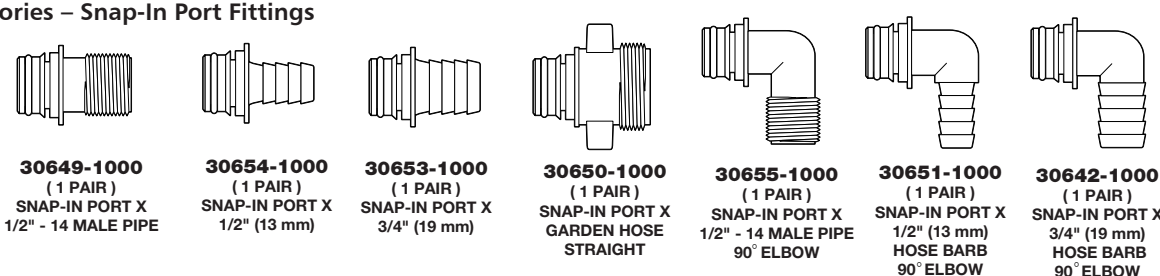
Exploded View



AUTOMATIC WATER SYSTEM PUMP SERVICE PARTS

| KEY# | DESCRIPTION | SERIES | SERIES | | |
|------|----------------------|------------------|--------------|--------------|------------|
| | | | 31395 - XXXX | 31295 - XXXX | 32600-XXXX |
| 1 | Pressure Switch | 25 PSI (1.7 bar) | 18916-1025 | 18916-1025 | 18916-1025 |
| | | 40 PSI (2.8 bar) | 18916-1040 | 18916-1040 | |
| | | 50 PSI (3.5 bar) | 18916-1050 | | |
| 2 | Pumphead Assembly | 25 PSI (1.7 bar) | 18914-1025 | 18914-0025 | 18914-1025 |
| | | 40 PSI (2.8 bar) | 18914-1040 | | 18914-1040 |
| | | 50 PSI (3.5 bar) | 18914-1050 | | |
| 3 | Check Valve Assembly | | 18911-1030 | 18911-1030 | 18911-1030 |
| 4 | Slide Clips (Pair) | | 30647-1000 | 30647-1000 | 30647-1000 |

Accessories – Snap-In Port Fittings



| | | | | | | |
|--|---|---|--|---|---|---|
| 30649-1000 (1 PAIR) SNAP-IN PORT X 1/2" - 14 MALE PIPE | 30654-1000 (1 PAIR) SNAP-IN PORT X 1/2" (13 mm) | 30653-1000 (1 PAIR) SNAP-IN PORT X 3/4" (19 mm) | 30650-1000 (1 PAIR) SNAP-IN PORT X GARDEN HOSE STRAIGHT | 30655-1000 (1 PAIR) SNAP-IN PORT X 1/2" - 14 MALE PIPE 90° ELBOW | 30651-1000 (1 PAIR) SNAP-IN PORT X 1/2" (13 mm) HOSE BARB 90° ELBOW | 30642-1000 (1 PAIR) SNAP-IN PORT X 3/4" (19 mm) HOSE BARB 90° ELBOW |
|--|---|---|--|---|---|---|