



Low Cost Water System Protection!



Jabsco Water Pressure Regulators

Designed for day and night protection of the entire plumbing system from unregulated city water system hook-ups. Whether connected to a dock-side main or a campground faucet, the new Jabsco Regulator will maintain regulated output at low or high flow rates. The removable strainer protects valves and seal-seats from pipe scale and other debris.

FEATURES

- Reduces unregulated city water pressures that can run as high as 125 psi down to a safe 45 psi - automatically
- Features built-in backflow preventer. Federal and State required on RV's with water service hookup
- Built-in port strainer is easily cleanable

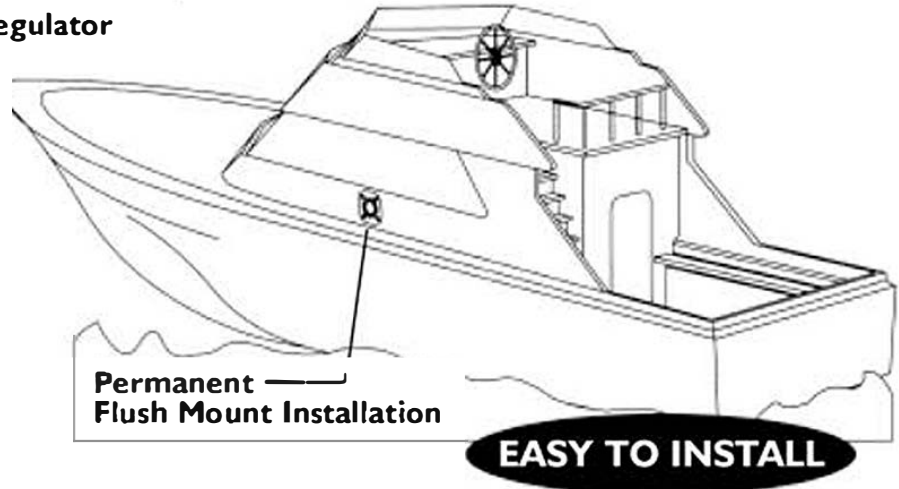


FLUSH MOUNT MODEL 4441 I-SERIES

Permanent City Water Pressure Regulator
and City Water Entry

FEATURES

- Flush mounts permanently in vessel super structure
- Easily replaces most original city water entries
- Automatic pressure regulation
- Built-in backflow preventer
- Easy cleaning strainer
- Dust cap



Specifications:

Water pressures from 46-125 psi (3-10 bar) will be regulated down to 45 psi (3 bar). Lower pressures will pass through unregulated. Variance is ± 5 psi (0.3 bar).

Fitting:

Flush, 3/4 GHT(f) inlet and 1/2"-14 pipe 90° swivel-elbow outlet.
Inline, 3/4 GHT(f) inlet and 3/4 GHT(m) outlet.

Materials:

UV-resistant plastic, crack resistant mounting flange.

Working Temperature:

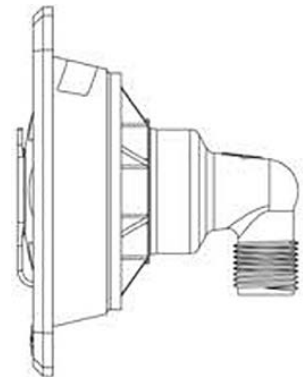
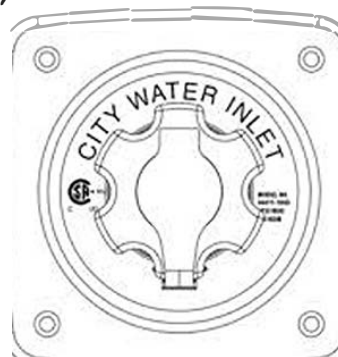
33-150°F (1-65°C).

Weight:

Inline, 0.2 lb. (0.1 kg).
Flush, 0.4 lb. (0.2 kg).

MODEL NUMBER:

- 4441 I-0045 In-line, white, 45 psi (3.1 bar)
- 4441 I-1045 Flush mount, white 45 psi (3.1 bar)
- 4441 I-2045 Flush mount, chrome 45 psi (3.1 bar)



IN-LINE MODEL ALSO AVAILABLE