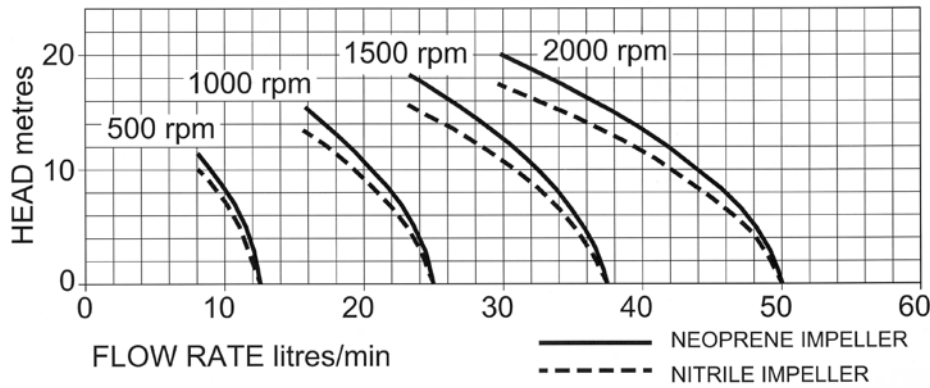


**PERFORMANCE:**

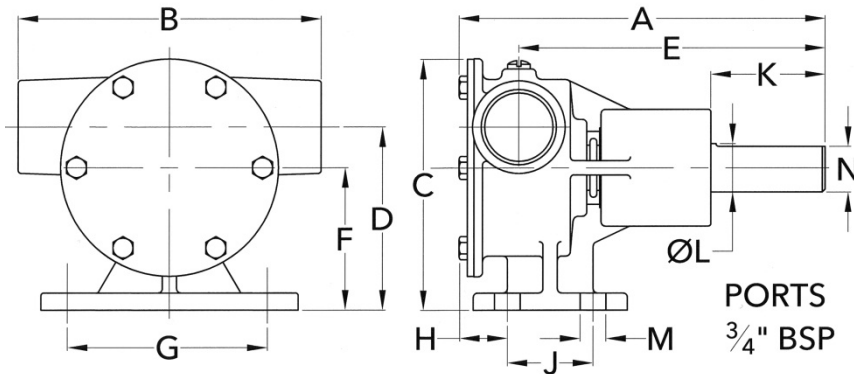


MODEL	Maximum flow rate		Maximum head	
	l/min	gall/min	metres	feet
52040-2001	50	11	20	65
52040-2003	50	11	17	55

2000rpm

**DIMENSIONS:**

WEIGHT: 1.5Kg



A	B	C	D	E	F	G	H	J	K	L	M	N
128	106	88	64	107	50	70	17	30	40	Ø17	9	16

**MATERIALS OF CONSTRUCTION:**

Body	Bronze
Impeller	Neoprene or Nitrile
Shaft	Stainless steel type 316
Shaft seal	Lip type
Bearings	Twin row, ball type
Port type	3/4" BSP to BS21 (DIN2999)

**MODELS:**

52040-2001 Standard Neoprene impeller

52040-2003 Oil resistant Nitrile impeller

52040-2021 High pressure Neoprene

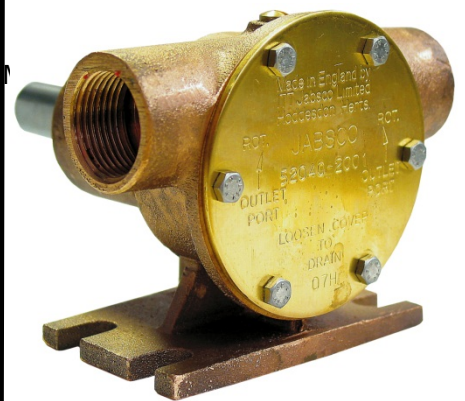


a xylem brand

**BRONZE FLEXIBLE IMPELLER**

**PEDESTAL PUMP**

**52040 SERIES**



**PUMP with 3/4" BSP PORTS**

- \* Constructed from marine quality bronze and stainless steel
- \* Self-prime from dry up to 2.4m
- \* Easy to service and maintain
- \* Will tolerate abrasive wear
- \* Handles hard and soft solids without clogging
- \* Can pump in either direction
- \* Will not airlock