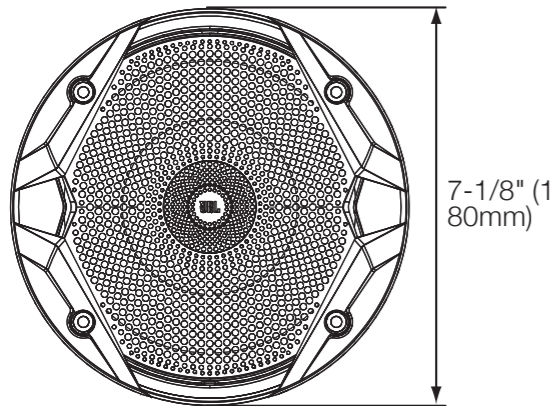
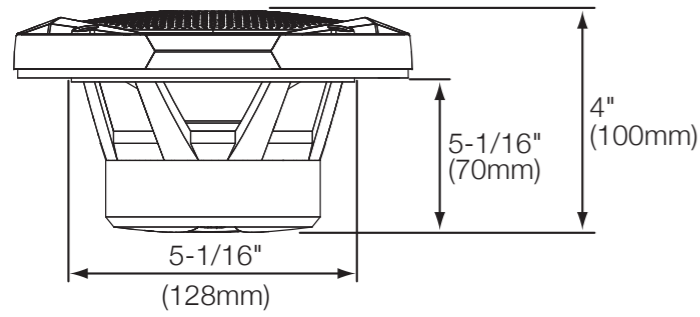
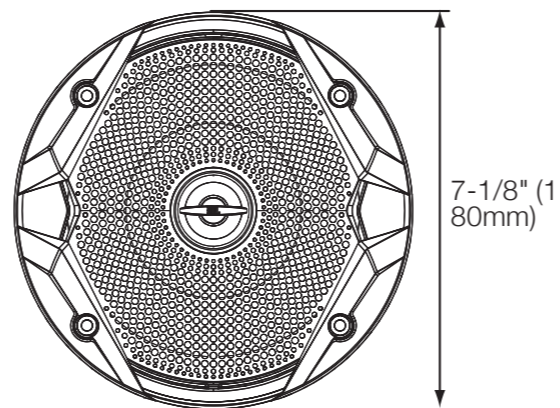
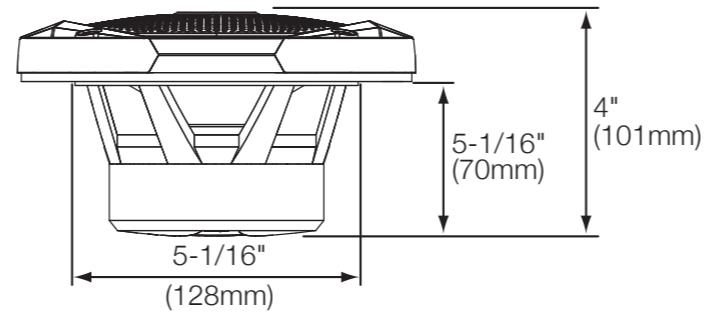


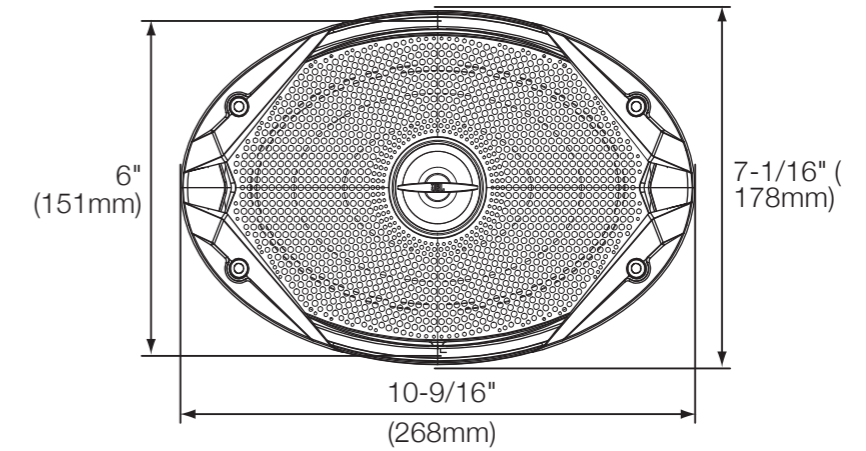
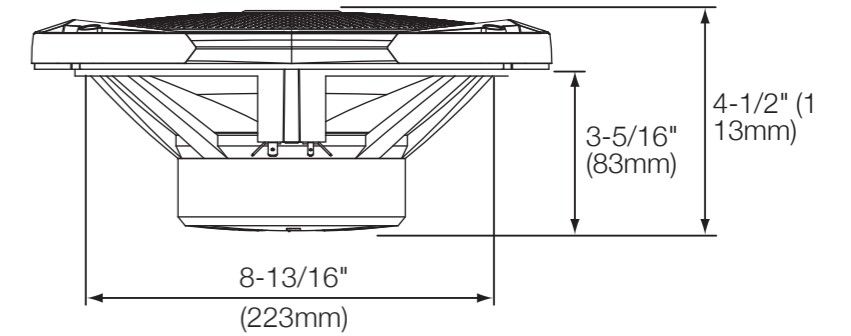
MS6510



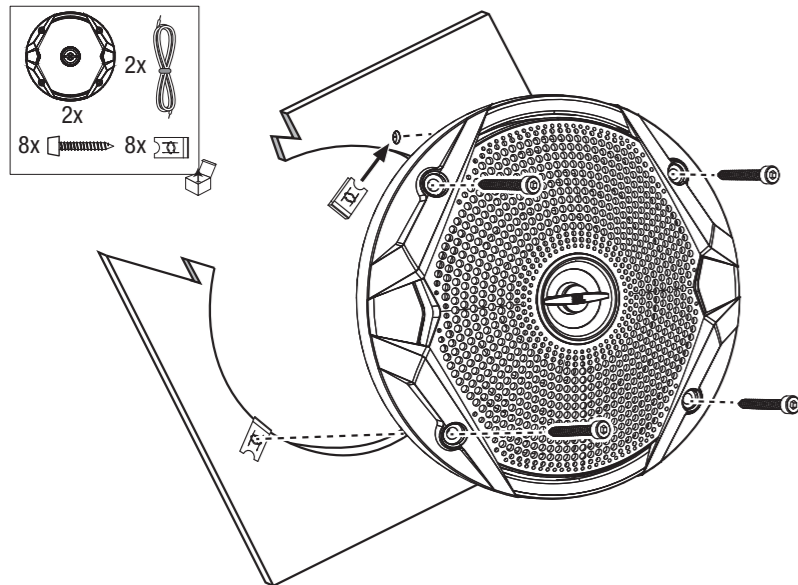
MS6520



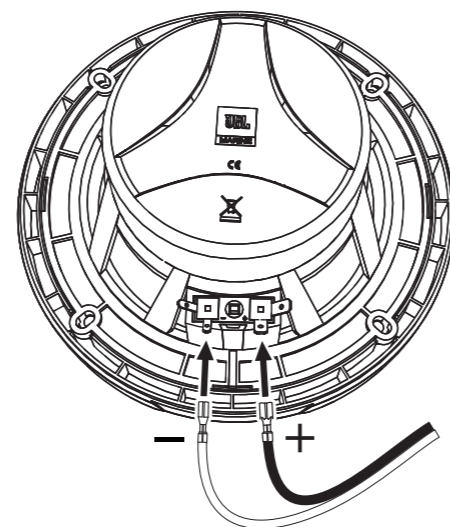
MS9520



MS6510, MS6520, MS9520



MS6510, MS6520, MS9520



JBL® MARINE SERIES

marine speaker



INSTALLATION MANUAL

SPECIFICATIONS

	MS6510	MS6520	MS9520
Type	6" (160mm) dual-cone speaker	6" (160mm) two-way speaker	6" x 9" (160mm x 230mm) two-way speaker
Continuous power handling	50W	60W	100W
Peak power handling	150W	180W	300W
Frequency response	50Hz – 18kHz	50Hz – 20kHz	37Hz – 20kHz
Nominal impedance	4 ohms	4 ohms	4 ohms
Sensitivity (2.83V/m)	90dB	90dB	92dB
External diameter	7-1/8" (180mm)	7-1/8" (180mm)	10-9/16" x 7-1/16" (268mm x 178mm)
Mounting cutout diameter	5-1/16" (128mm)	5-1/16" (128mm)	8-13/16" x 6" (223mm x 151mm)
Total depth	4" (100mm)	4" (101mm)	4-1/2" (113mm)
Mounting depth	2-13/16" (70mm)	2-13/16" (70mm)	3-5/16" (83mm)

When it comes to quality marine electronics and navigation, JBL is the brand you can depend on.