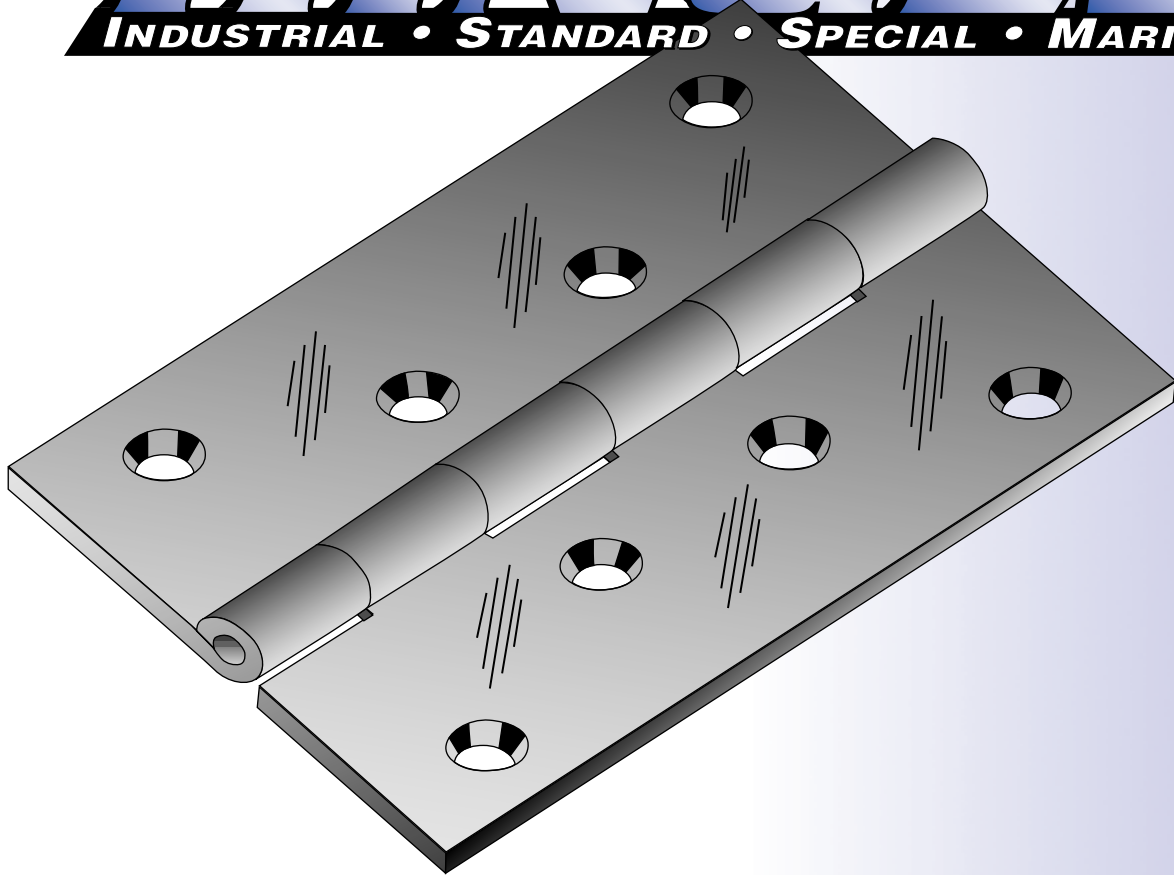


JMC JEFCO

MANUFACTURING, INC.

HINGGES

INDUSTRIAL • STANDARD • SPECIAL • MARINE



SMALL ENOUGH TO SERVE • LARGE ENOUGH TO SUPPLY

Service, quality and delivery are words that have lost a great deal of their meaning over the past years; not so with **JEFCO MANUFACTURING, INC.** Generations in the same industry and almost 70 years of hinge manufacturing experience mean service and quality are a way of life. This is what Jefco Manufacturing, Inc. is all about.

Small Enough to Serve • Large Enough to Supply, is much more than just a motto at Jefco Manufacturing, Inc. Our sales, engineering and production departments work hand in hand. This cohesion keeps all departments up-to-date on new capabilities, production rates, and stock quantities in a way that few firms can match.

Our fully automatic and semi-automatic equipment allows us to supply standard and custom hinges of quality and accuracy in short and long runs, with excellent price and delivery. This can only be backed up by a highly efficient engineering department and tool room facilities. Engineering by dictionary definition is: the practical application of knowledge. Practical means cost efficient with quality in today's market. It is with this thought that we do our engineering and design. Simplicity is very practical in a complicated world, and many of our tooling designs are just that. Keeping tooling costs down saves time and money for our customers and adds to keeping our delivery time as short as possible. Maintenance is most important for quality, and Jefco Manufacturing, Inc. recognizes this fact.

The pages of this catalog show hinge terminology, forming possibilities, and various sizes, materials, and types of hinges. Virtually any metal gauge, pin size, width and length (within practical limits) can be manufactured on our equipment. If special hinges are required, please send prints or samples for a prompt quotation. When a special design is required, our engineering staff stands ready to assist you with drawings and samples for your approval.

**Jefco Manufacturing, Inc. stands ready to serve,
for it is our customers that make us strong.**

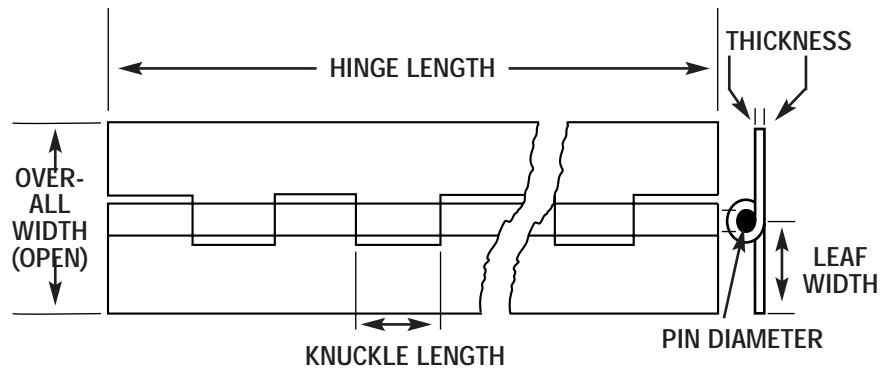
Ordering Information



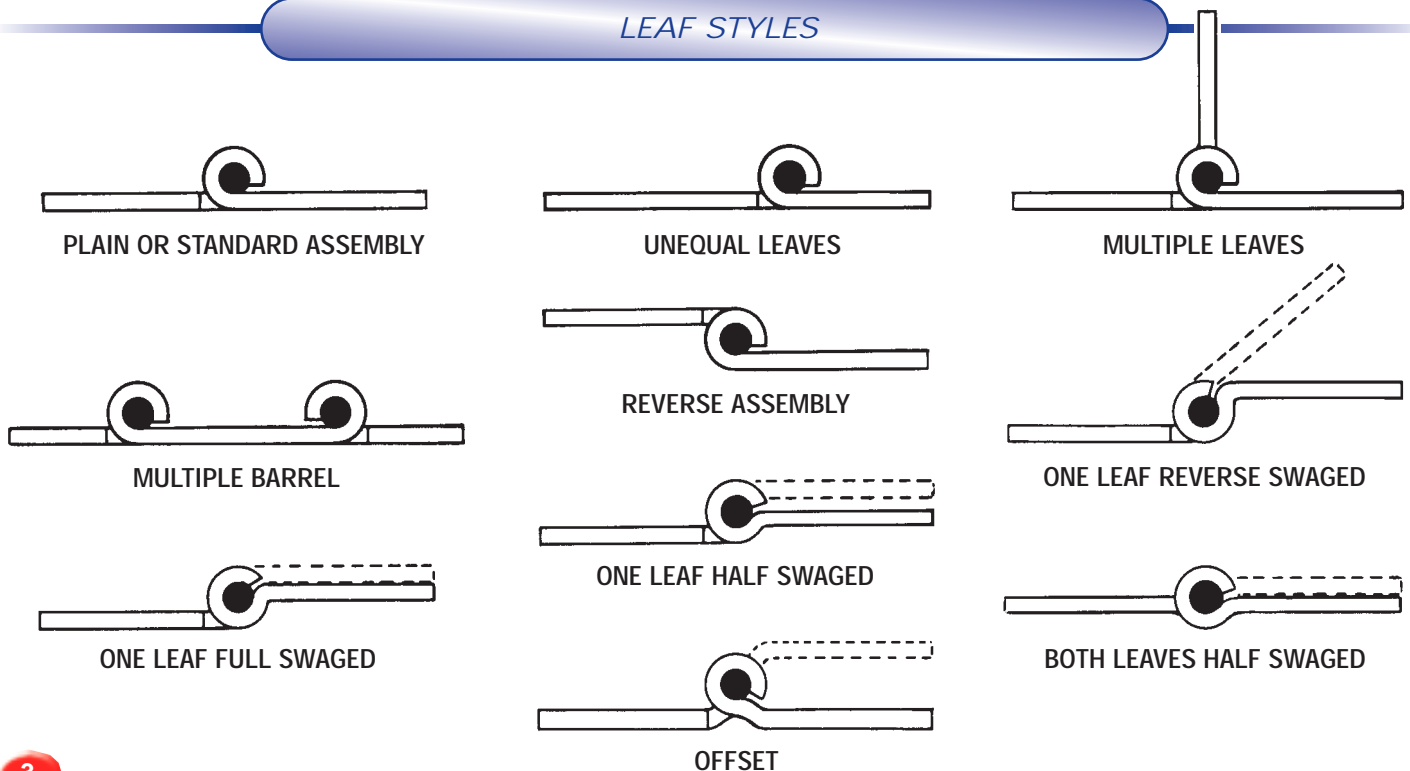
When Ordering Specify:

1. Quantity required and unit measure (pieces- pairs- lineal footage)
2. Catalog number and material. (if available)
3. Length of continuous hinges.
4. Furnish blueprint, dimensioned sketch, or full information if any of the following is required. (see below)
 - A. Special gauges, pins, or widths.
 - B. Leaf styles.
 - C. Cut-outs- notches- special forming- offsets.
 - D. Holes (plain- countersunk), screw size or rivet size, and locations.
 - E. Special pin staking, heading, or welding.
5. How shipment is to be made and date of shipment.

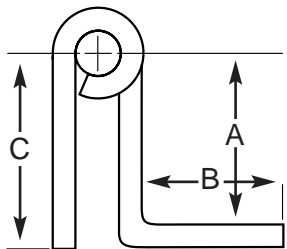
HINGE TERMINOLOGY



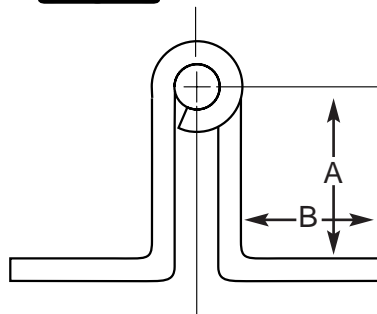
LEAF STYLES



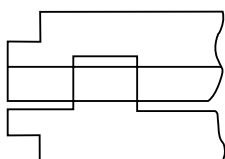
FORMING THAT IS AVAILABLE



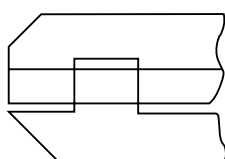
Specify forming dimensions from centerline of pin to inside of form, or edge of leaf. Our drawings should assist you in your designs. If unequal leaf forming is required, specify dimensions for each leaf.



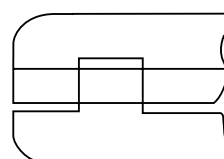
NOTCHED, ANGLED, OR RADIUS CORNERS THAT ARE AVAILABLE



CORNERS NOTCHED

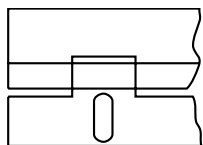
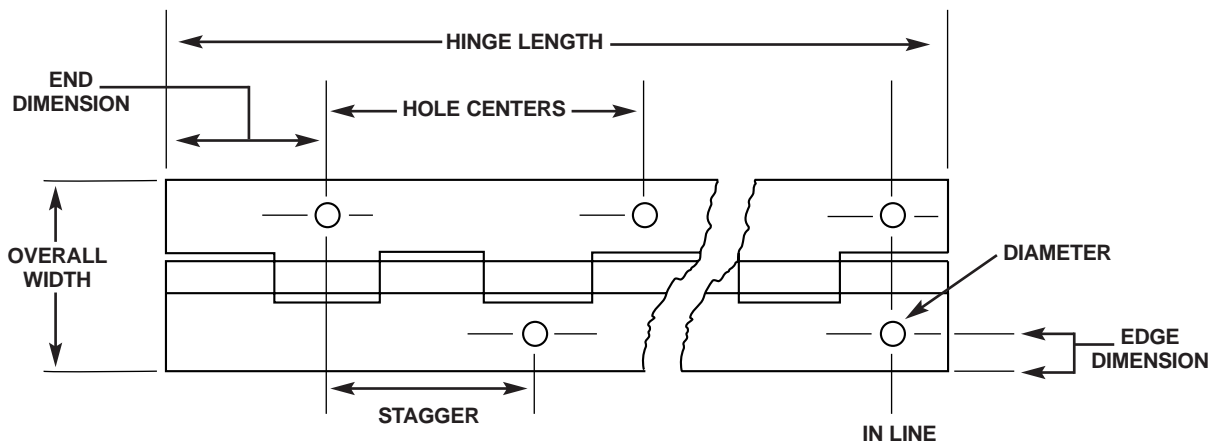


ANGLED CORNERS

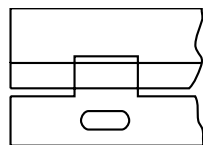


RADIUS CORNERS

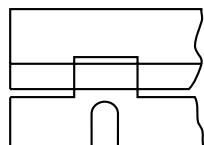
PIERCING TERMINOLOGY



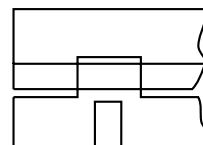
OBROUND (VERTICAL)



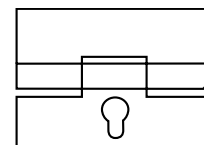
OBROUND (HORIZONTAL)



NOTCH-RADIUS END

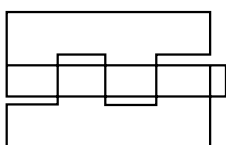


NOTCH-SQUARE END

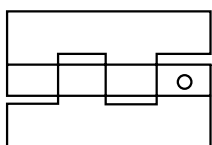


KEY HOLE

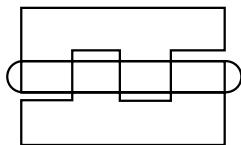
PIN HEADING THAT IS AVAILABLE



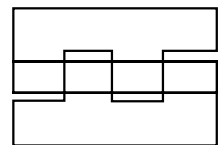
HEADED PIN



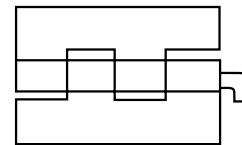
TIGHT PIN — STAKED



TIGHT PIN — SPUN



TIGHT PIN — WELDED



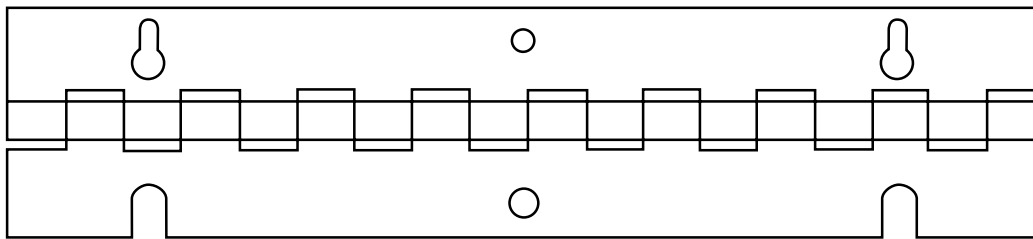
LOOSE PIN — BENT

CONTINUOUS HINGE

STEEL • ALUMINUM • STAINLESS • TITANIUM

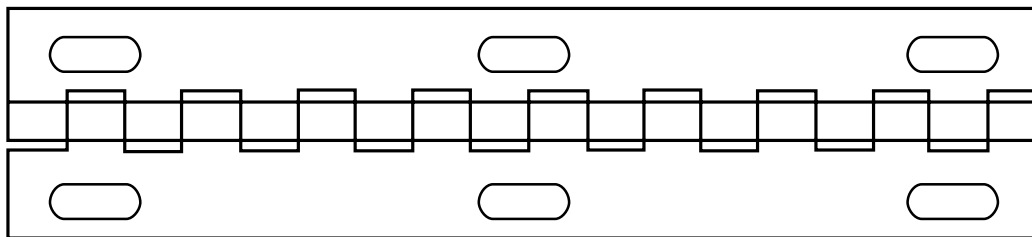


In the table below you will find standard size continuous hinge. But remember, at JEFCO we custom manufacture to your specifications! *All of our continuous hinge stock is available in:*



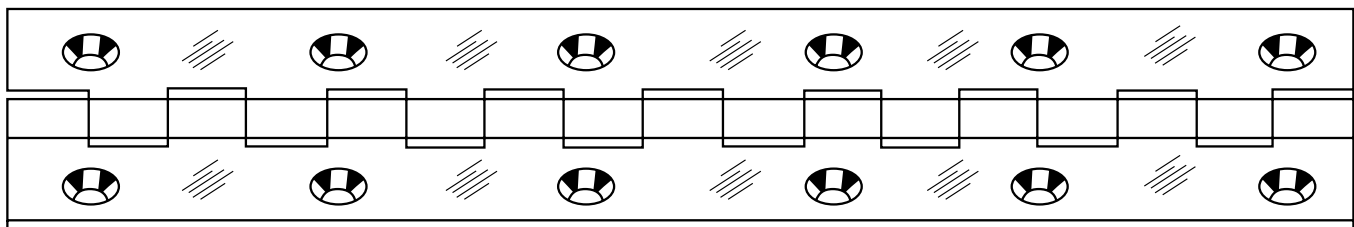
ALUMINUM

- ◆ With Mill Finish or Anodized Clear, Satin or Colors
- ◆ With a Full Hard or Stainless Pin
- ◆ Custom Pin Diameters, Knuckle Lengths and Open Widths are Available



STEEL

- ◆ Cold Rolled Steel, Brass or Nickel Plated are available



STAINLESS STEEL

- ◆ Type 304 (18-8) Stainless. (Other alloys & heavier gauges are available)
- ◆ Custom Pin Diameters & Knuckle Lengths are Available
- ◆ Available with Bright Annealed (polished) Finish or Hand Polished Finish

TITANIUM

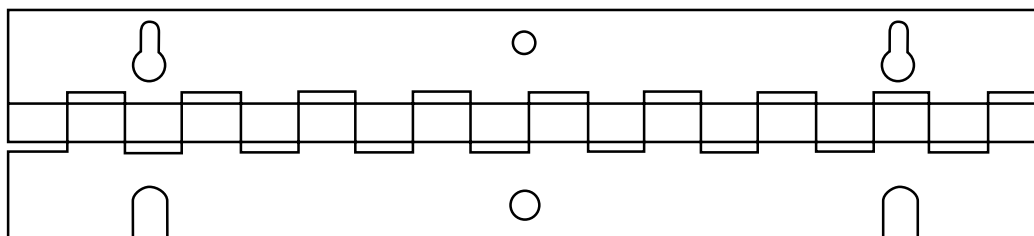
Titanium is a light, high strength metal with extremely good corrosion resistance in many hostile environments. It is the material of choice where extreme corrosion is a problem. The Titanium Alloy is CP2.

LIGHTWEIGHT CONTINUOUS HINGES



MATERIAL GAUGE	PIN DIAMETER	KNUCKLE LENGTH	OPEN WIDTH	CATALOG NUMBER
.040 <i>Prepunched Lengths Available</i>		1/2"	1 1/16"	40106-.093-.500
			1 1/4	40125-.093-.500
			1 1/2	40150-.093-.500
			2	40200-.093-.500
.050	.125	1/2	1 1/4	50125-.125-.500
			1 1/2	50150-.125-.500
			2	50200-.125-.500
			3	50300-.125-.500
.060	.125	1/2	1 1/4	60125-.125-.500
			1 1/2	60150-.125-.500
			2	60200-.125-.500
			2 1/2	60250-.125-.500
			3	60300-.125-.500
			3 1/2	60350-.125-.500
			4	60400-.125-.500
			4 1/2	60450-.125-.500
.060	.125	1	1 1/2	60150-.125-1.00
			2	60200-.125-1.00
			2 1/2	60250-.125-1.00
			3	60300-.125-1.00
			3 1/2	60350-.125-1.00
			4	60400-.125-1.00
			4 1/2	60450-.125-1.00
.060 <i>Also available in 1/2" knuckle length</i>	.187	1	1 1/2	60150-.187-1.00
			2	60200-.187-1.00
			2 1/2	60250-.187-1.00
			3	60300-.187-1.00
			3 1/2	60350-.187-1.00
			4	60400-.187-1.00

VARIOUS PIN DIAMETERS AND KNUCKLE LENGTHS AVAILABLE UPON REQUEST

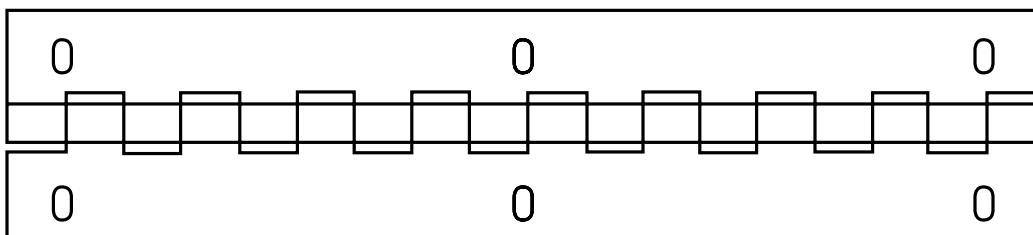


STANDARD CONTINUOUS HINGES



MATERIAL GAUGE	PIN DIAMETER	KNUCKLE LENGTH	OPEN WIDTH	CATALOG NUMBER
.075	.187	1"	1½"	75150-.187-1.00
			2	75200-.187-1.00
			2½	75250-.187-1.00
			3	75300-.187-1.00
			3½	75350-.187-1.00
			4	75400-.187-1.00
			<i>Also available in ½" knuckle length</i>	
.075	.250	1	1½"	75150-.250-1.00
			2	75200-.250-1.00
			2½	75250-.250-1.00
			3	75300-.250-1.00
			3½	75350-.250-1.00
			4	75400-.250-1.00
			4½	75450-.250-1.00
			5	75500-.250-1.00
			5½	75550-.250-1.00
			6	75600-.250-1.00
<i>Also available in 2" knuckle length</i>				
.090	.250	1	2	90200-.250-1.00
			2½	90250-.250-1.00
			3	90300-.250-1.00
			3½	90350-.250-1.00
			4	90400-.250-1.00
			4½	90450-.250-1.00
			5	90500-.250-1.00
			5½	90550-.250-1.00
			6	90600-.250-1.00
			<i>Also available in 2" knuckle length</i>	

VARIOUS PIN DIAMETERS AND KNUCKLE LENGTHS AVAILABLE UPON REQUEST

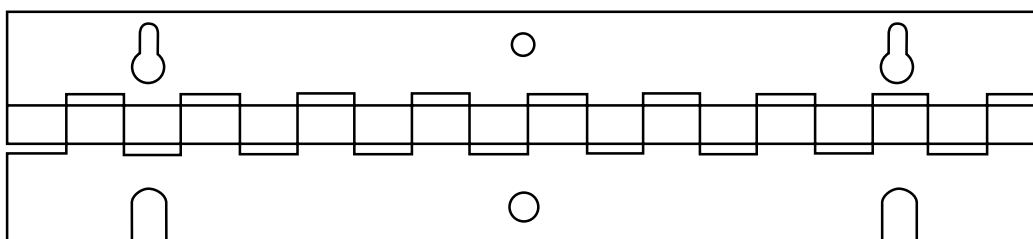


HEAVY CONTINUOUS HINGES



MATERIAL GAUGE	PIN DIAMETER	KNUCKLE LENGTH	OPEN WIDTH	CATALOG NUMBER
.120	.375	2	2	120200-.375-2.00
			2½	120250-.375-2.00
			3	120300-.375-2.00
			3½	120350-.375-2.00
			4	120400-.375-2.00
			4½	120450-.375-2.00
			5	120500-.375-2.00
			5½	120550-.375-2.00
			6	120600-.375-2.00
			<i>Also available in .250" pin diameter</i>	
.135	.375	2	3	135300-.375-2.00
			3½	135350-.375-2.00
			4	135400-.375-2.00
			4½	135450-.375-2.00
			5	135500-.375-2.00
			5½	135550-.375-2.00
			6	135600-.375-2.00
			<i>Heavier Gauges Available Upon Request</i>	

VARIOUS PIN DIAMETERS AND KNUCKLE LENGTHS AVAILABLE UPON REQUEST

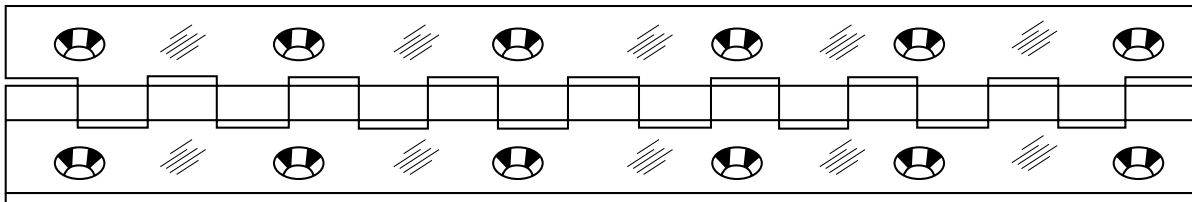


**STAINLESS STEEL CONTINUOUS HINGES
WITH BRIGHT ANNEALED FINISH (POLISHED)
BLANK & COUNTERSUNK HOLES**



MATERIAL GAUGE	PIN DIAMETER	KNUCKLE LENGTH	OPEN WIDTH	CATALOG NUMBER
.040	.093	½"	1 1/16"	BASS-40106-.093-.500
			1 ¼"	BASS-40125-.093-.500
			1 ½"	BASS-40150-.093-.500
			2"	BASS-40200-.093-.500
.060	.125	½"	1 1/16"	BASS-60106-.125-.500
			1 ¼"	BASS-60125-.125-.500
			1 ½"	BASS-60150-.125-.500
			2"	BASS-60200-.125-.500
			2 ½"	BASS-60250-.125-.500
			3"	BASS-60300-.125-.500
			3 ½"	BASS-60350-.125-.500
			4"	BASS-60400-.125-.500
		4 ½"	BASS-60450-.125-.500	

Designed to marine specifications. Can be used on hatches, doors, cabinets, windshields, anywhere that corrosion proof continuous hinges are needed. Supplied with staked pin in 72" lengths and countersunk holes for #6 screws on 2" centers. Also available blank and with standard holes.

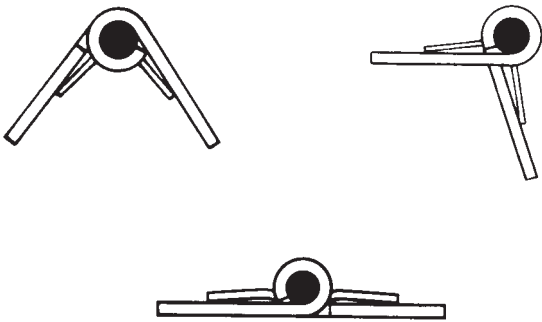


**PLATED
CONTINUOUS HINGES
with Countersunk Holes**

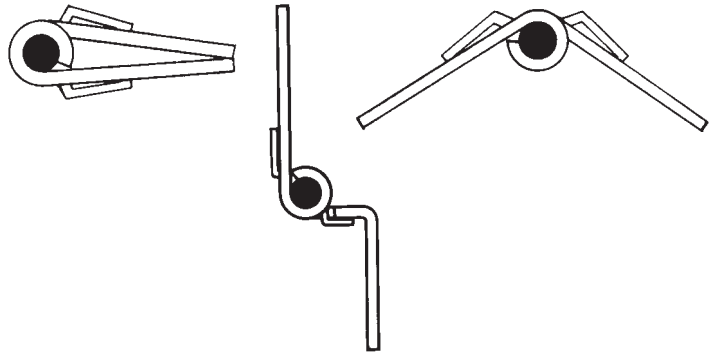
Standard plated continuous hinges are available in various finishes: BRASS and NICKLE. All hinges are pierced and coined countersunk on 2" centers. Stock lengths are 72" long. Material is .040" thick steel, .093" diameter pin, ½" knuckle length. Custom lengths, widths, holes, and staking are available upon request.

FINISH	PART NUMBER	OPEN WIDTH
BRASS	BP-40106 x 72" PC	1 1/16"
	BP-40125 x 72" PC	1 ¼"
	BP-40150 x 72" PC	1 ½"
	BP-40200 x 72" PC	2"
NICKLE	NP-40106 x 72" PC	1 1/16"
	NP-40125 x 72" PC	1 ¼"
	NP-40150 x 72" PC	1 ½"
	NP-40200 x 72" PC	2"

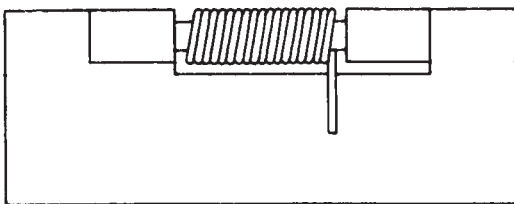
SPRING HINGES



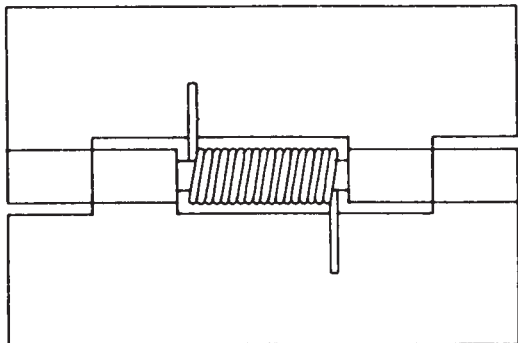
SPRUNG OPEN



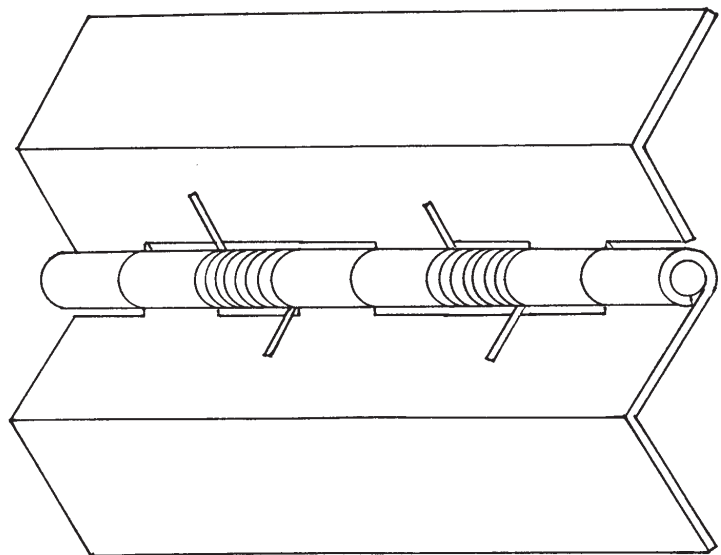
SPRUNG CLOSED



CLOSED



OPEN



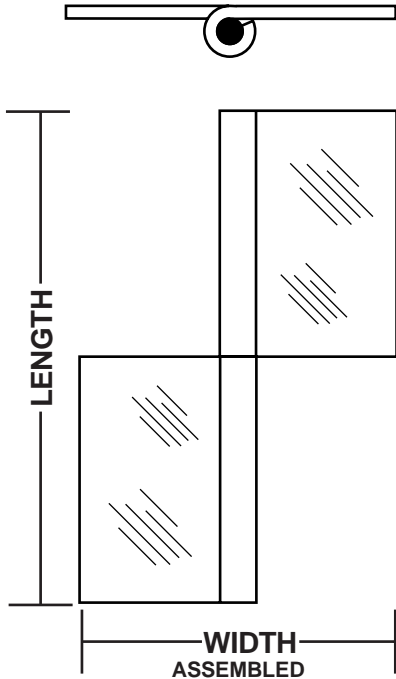
Spring loaded hinges are available in any material, gauge, width and length available in this catalog (see previous pages). We are equipped to manufacture to your specifications using plated or stainless steel springs. Hinges may have single or multiple springs installed in a sprung open or sprung closed position.

PLEASE CALL OR SEND PRINTS FOR QUOTING.

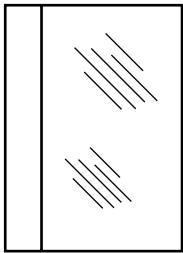
FLAG & SLIP-JOINT HINGES



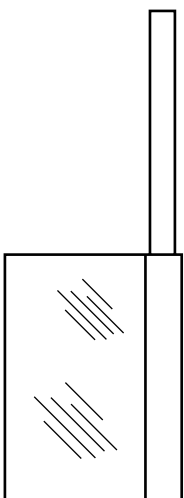
FLAG-TYPE



LOOSE LEAF



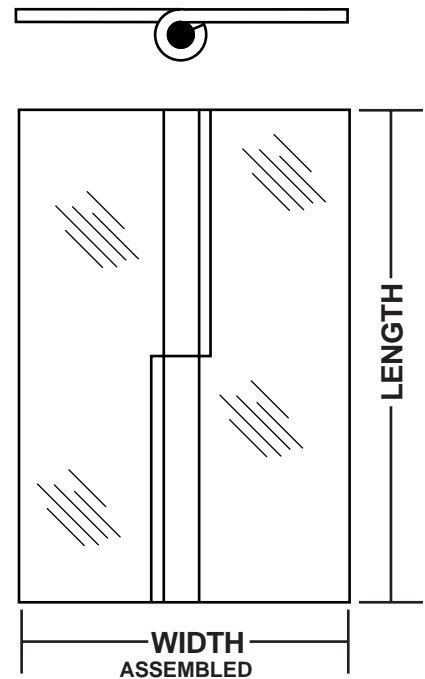
PIN LEAF (MALE) L.H.



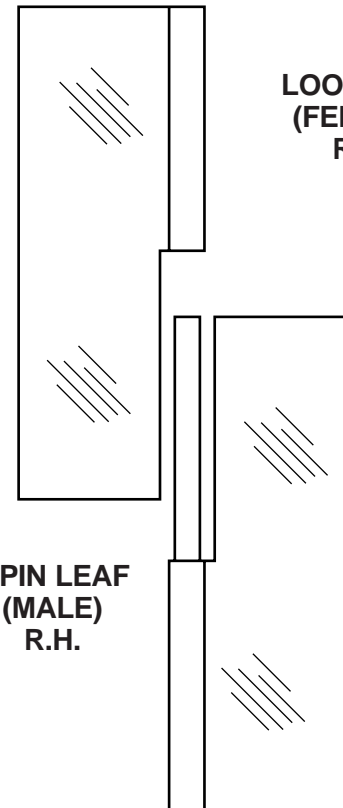
DISASSEMBLED

Flag-type or slip-joint hinges are available in any material, gauge, width and length available in this catalog (see previous pages). Both hinges are made L.H. or R.H. or both in pairs with various pin diameters. All hinges can be pierced and/or countersunk, and plated to your specifications. Forming, offsetting and notching are available for custom designs.

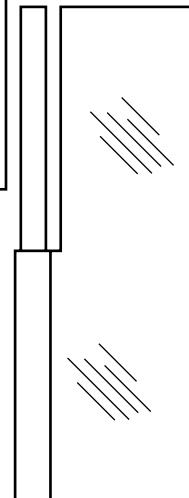
SLIP-JOINT



LOOSE LEAF (FEMALE) R.H.



PIN LEAF (MALE) R.H.

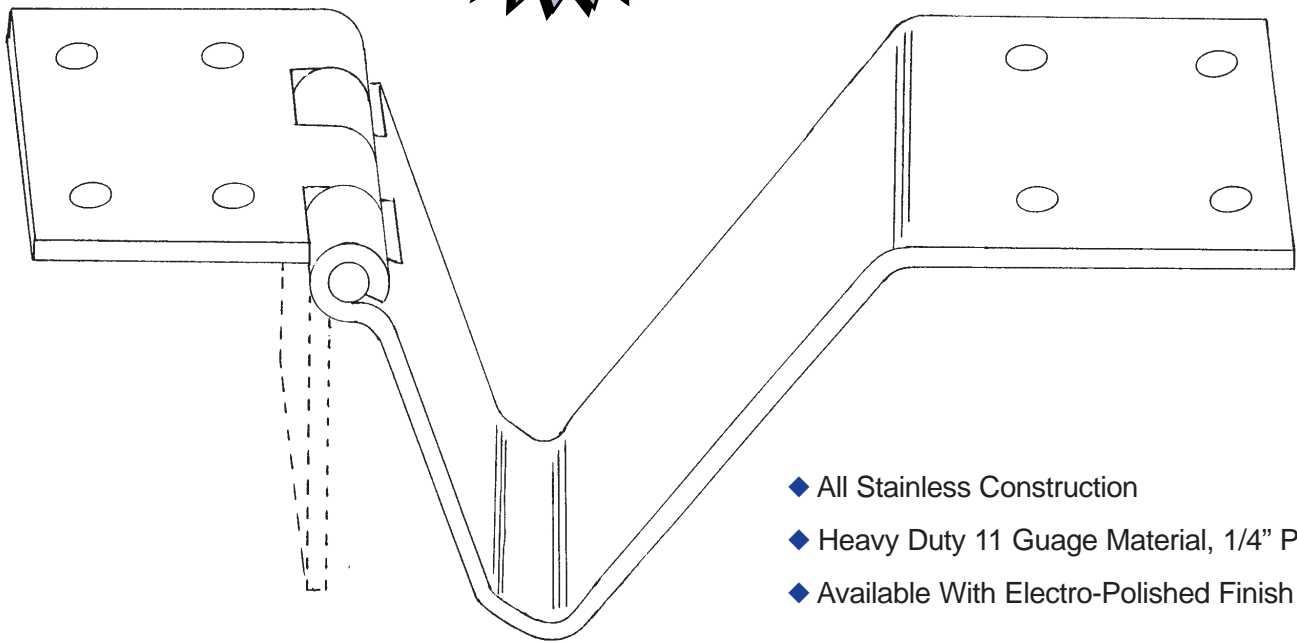


DISASSEMBLED

STAINLESS STEEL CONCEALED HINGE



NEW



- ◆ All Stainless Construction
- ◆ Heavy Duty 11 Gauge Material, 1/4" Pin
- ◆ Available With Electro-Polished Finish

Concealed hinge design allows hatches and compartment doors to hinge with total concealment. Manufactured from 11 gauge T-304 Marine grade Stainless Steel, gives years of service and strength. Technical drawings available to help you engineer your application.

STAINLESS STEEL ELECTRO POLISHED BUTT HINGES



*HINGES MADE OF 16 GAUGE
MARINE STAINLESS STEEL T 302/304*

Electro-polishing gives lasting beauty. Stainless steel gives marine durability.

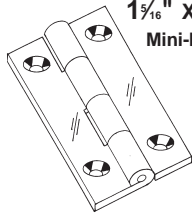
All hinges have countersunk holes and a staked pin.
To prevent scratching when shipped, hinges are packed in the closed position.

Samples available. Rounded corners, special.

Stocked as Plain or Standard Assembly

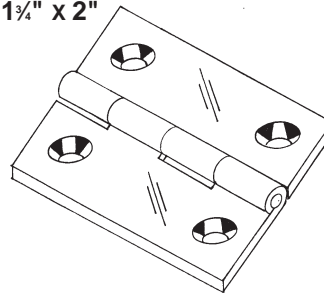
SSB-60130-150 HC

1 $\frac{1}{16}$ " x 1 $\frac{1}{2}$ "
Mini-butt



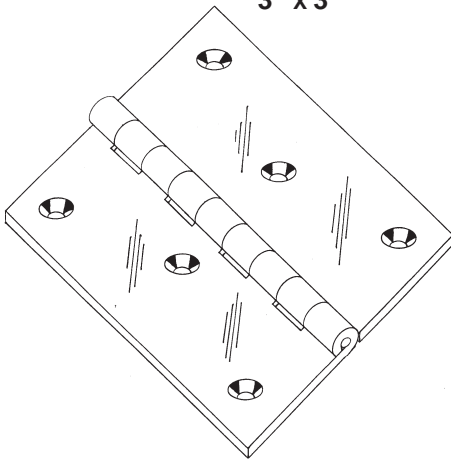
SSB-60175-200 HC

1 $\frac{3}{4}$ " x 2"



SSB-60300-300 HC

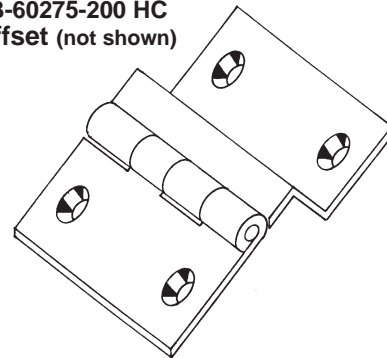
3" x 3"



SSOB-60250-200 HC

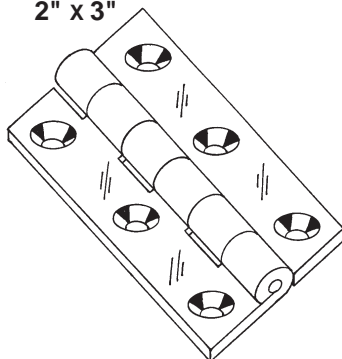
2 $\frac{1}{2}$ " offset

SSOB-60275-200 HC
2 $\frac{3}{4}$ " offset (not shown)



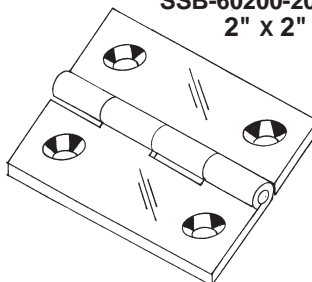
SSB-60200-300 HC

2" x 3"



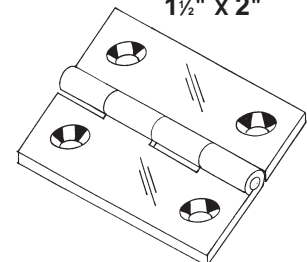
SSB-60200-200 HC

2" x 2"



SSB-60150-200 HC

1 $\frac{1}{2}$ " x 2"

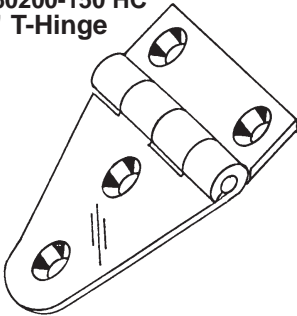


STAINLESS STEEL ELECTRO POLISHED BUTT HINGES

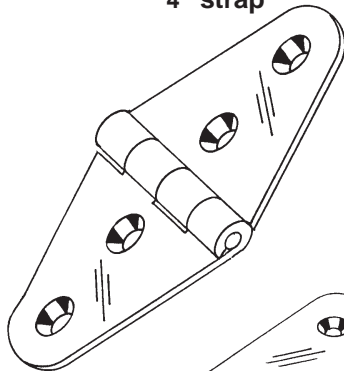


HINGES MADE OF 16 GAUGE
MARINE STAINLESS STEEL T 302/304

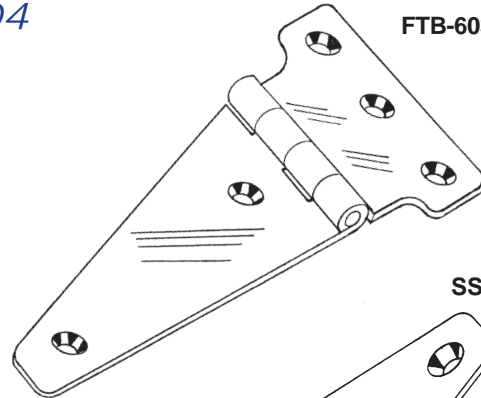
SST-60200-150 HC
2" T-Hinge



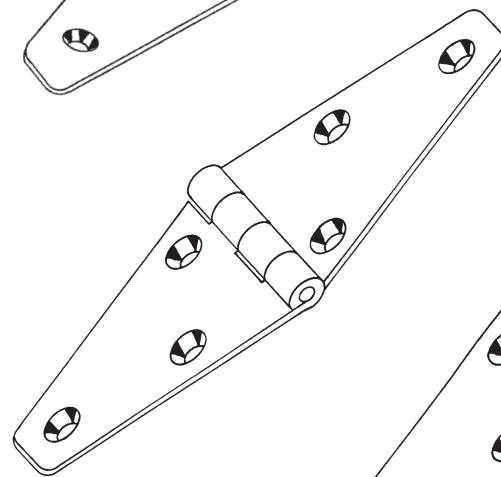
SSS-60400-150 HC
4" strap



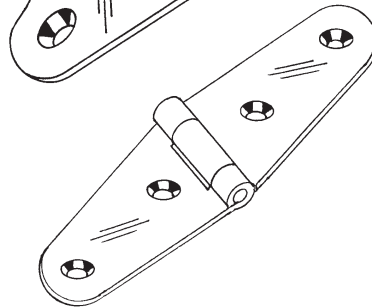
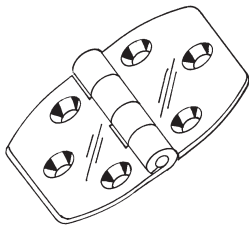
FTB-60300-150 HC



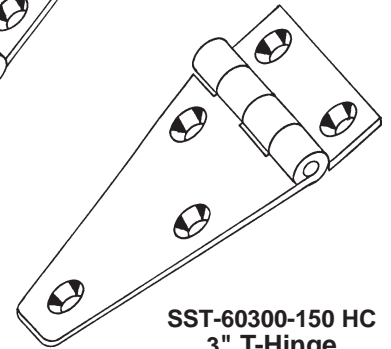
SSS-60600-150 HC
6" strap



SSTB-60275-150 HC
2 3/4" x 1 1/2"
Tapered butt

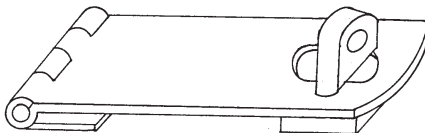


RSS-60400-100 HC



SST-60300-150 HC
3" T-Hinge

SSH-60300 SWIVEL HASP STAINLESS STEEL
WITH ELECTRO POLISHED FINISH.



SSFB-60200-150 HC
2" x 1 1/2"
Flap butt

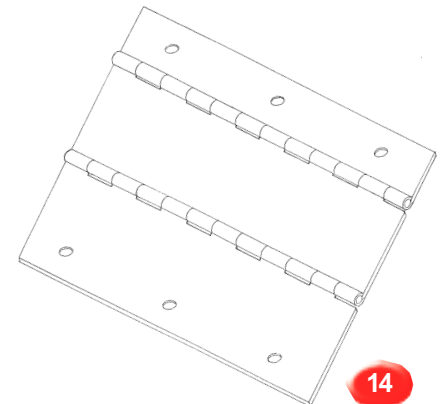


ALUMINUM & STAINLESS STEEL

DOUBLE PIN LOUNGE SEAT HINGES

Double-Pin Hinges designed for lounge seat use are available with custom holes and formed to print. Custom lengths are also available.

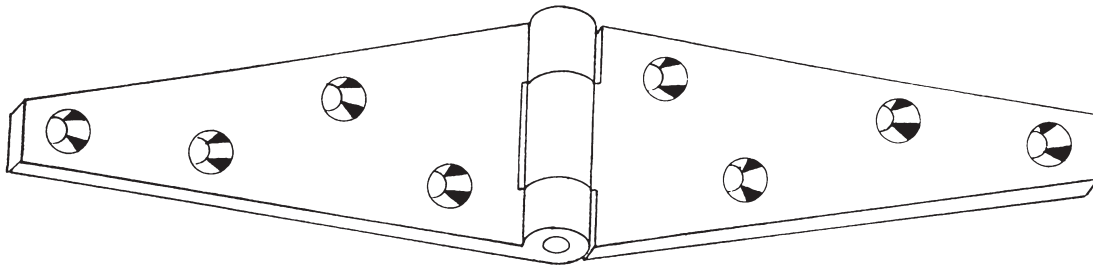
Hinges are made from marine grade aluminum or stainless steel. Material thickness .060, pin diameter 1/8". Standard length 6" long with staked pins. Custom widths and lengths available. Call for quote.



STAINLESS STEEL HEAVY DUTY STRAP & TEE HINGES

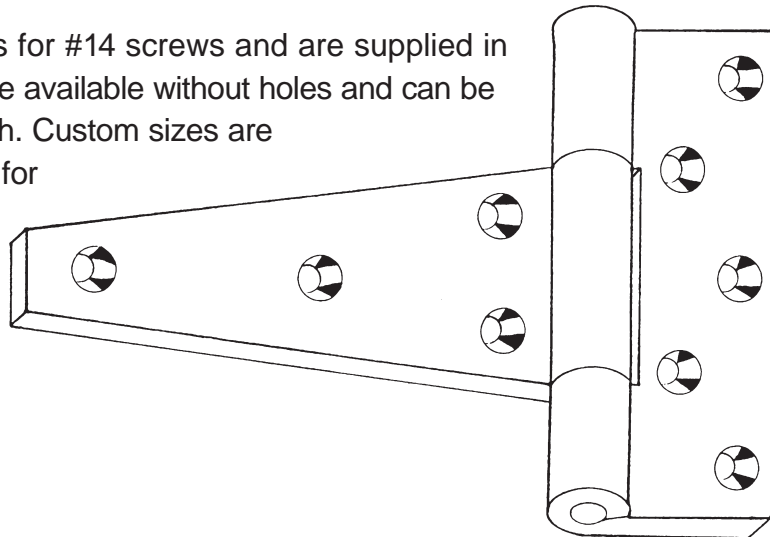


MATERIAL GAUGE (THICKNESS)	PIN DIAMETER	PIN LENGTH (WIDTH)	SIZE LENGTH (CLOSED)	CATALOG NUMBER
.090"	1/4"	2"	4"	SSS-90400-200 HC
.125"	3/8"	2 1/2"	6"	SSS-120600-250 HC
.125"	3/8"	3"	8"	SSS-120800-300 HC
.125"	3/8"	3 1/2"	10"	SSS-1201000-350 HC



MATERIAL GAUGE (THICKNESS)	PIN DIAMETER	WIDTH OF BUTT	LENGTH OF BUTT	WIDTH OF STRAP	SIZE LENGTH (CLOSED)	CATALOG NUMBER
.090"	1/4"	1 1/2"	3 1/2"	2"	4"	SST-90400-350 HC
.125"	3/8"	1 3/4"	4 1/4"	2 1/8"	6"	SST-120600-450 HC
.125"	3/8"	1 3/4"	5 1/2"	2 1/2"	8"	SST-120800-550 HC
.125"	3/8"	2 1/4"	7"	3 1/2"	10"	SST-1201000-700 HC

Hinges have countersunk holes for #14 screws and are supplied in a mill finish. All above hinges are available without holes and can be electro-polished for a bright finish. Custom sizes are available, please send blueprint for prompt quote.



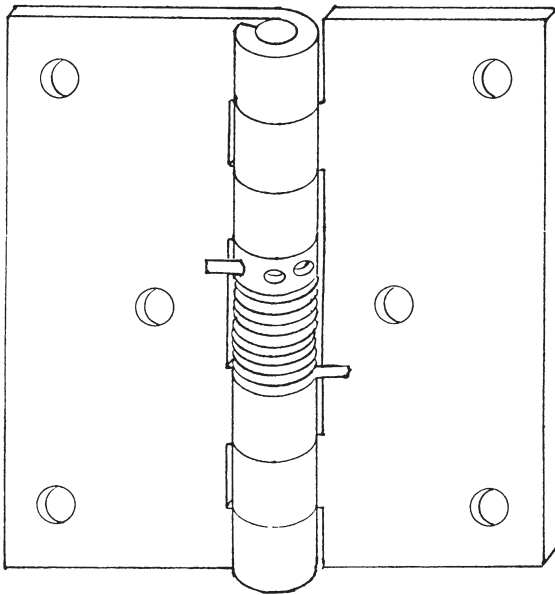
STAINLESS STEEL BUTT HINGES



ADJUSTABLE STAINLESS SPRING HINGE

Primarily used on pool gates and around corrosive environments where a spring is required. Adjustability allows for different tension, for different size gates or doors. It is recommended that a *minimum* of two spring hinges be used for each application.

- ◆ All stainless construction
- ◆ Surface mount
- ◆ Adjustable tension
- ◆ Loose pin



Stocked size:
 SSSB-120300-400 P, ADJ. (3" x 4")
 SSSB-120400-400 P, ADJ. (4" x 4")
 Custom Sizes Also Available

STAINLESS STEEL BUTT HINGES

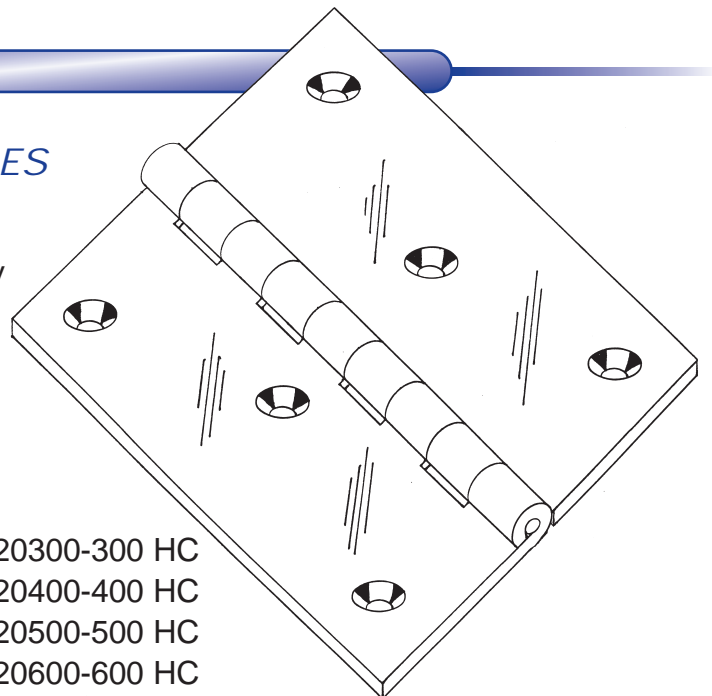
11 gauge material, 1/4" pin

Stocked as Plain or Standard Assembly

Countersunk Holes for #14 Screws

- Finishes available:
- ◆ Black Powder Coated
 - ◆ Electro-Polished
 - ◆ Mill Finish

- Available in the following sizes:
- ◆ 3" x 3" SSB-120300-300 HC
 - ◆ 4" x 4" SSB-120400-400 HC
 - ◆ 5" x 5" SSB-120500-500 HC
 - ◆ 6" x 6" SSB-120600-600 HC
 - ◆ 8" x 8" SSB-120800-800 HC (3/8" PIN)



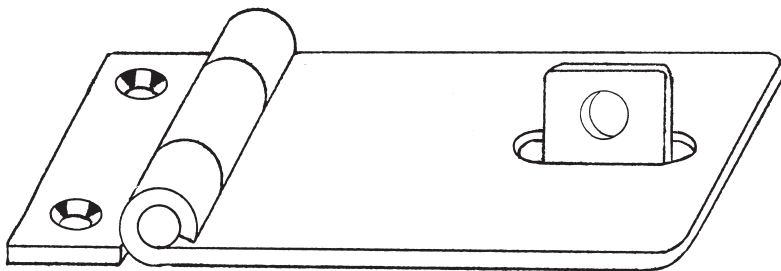
Custom Sizes Also Available, Please Provide Prints

HASPS & STAPLES



STAINLESS STEEL HASPS & STAPLES

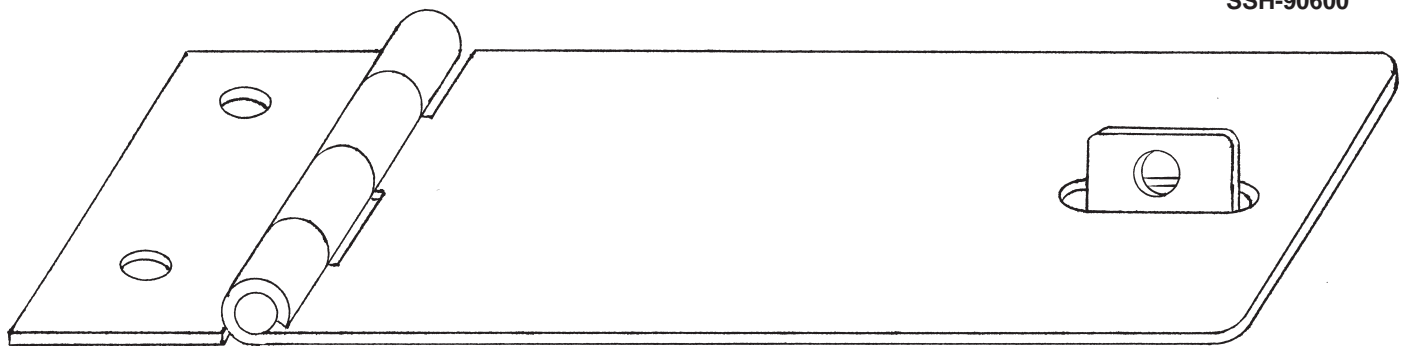
- ◆ Heavy gauge construction
- ◆ All stainless construction with welded pin and holes
- ◆ Hasps can be used with mounting holes exposed or concealed



1 1/4" wide and 3 1/4" long, with countersunk holes

.125" GA. Material

SSH-120325

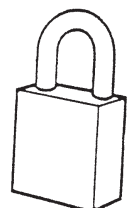


SSH-90600

2" wide and 6" long

.090" GA. Material

Solid Brass Body and Stainless Steel Shackle PADLOCKS - NOW AVAILABLE



STAINLESS STEEL GATE LATCHES

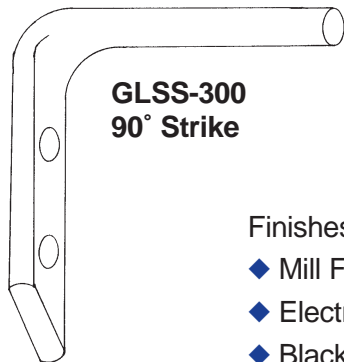


STAINLESS STEEL GATE LATCH

For Pool Gates, Shed Doors, Industrial Storage Units, any corrosive application. Simply Lift Lever to release. Hole in lever allows for pull cord, if required. Will accept a padlock for locking.

All Stainless Steel Construction from Marine grade alloys, supplied with Strike.

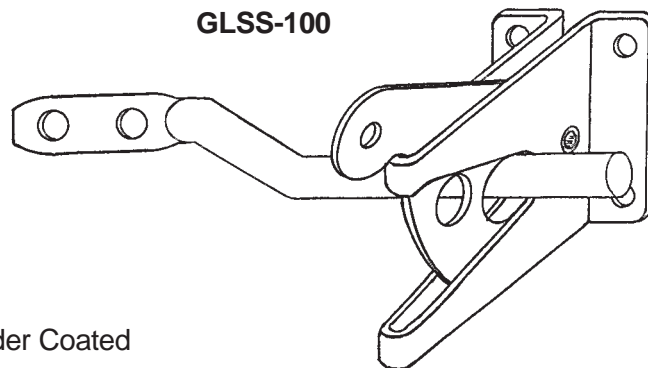
Other configurations available for special applications, please call or write.



GLSS-300
90° Strike

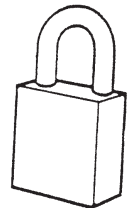
Finishes available:

- ◆ Mill Finish
- ◆ Electro-Polished
- ◆ Black or White Powder Coated



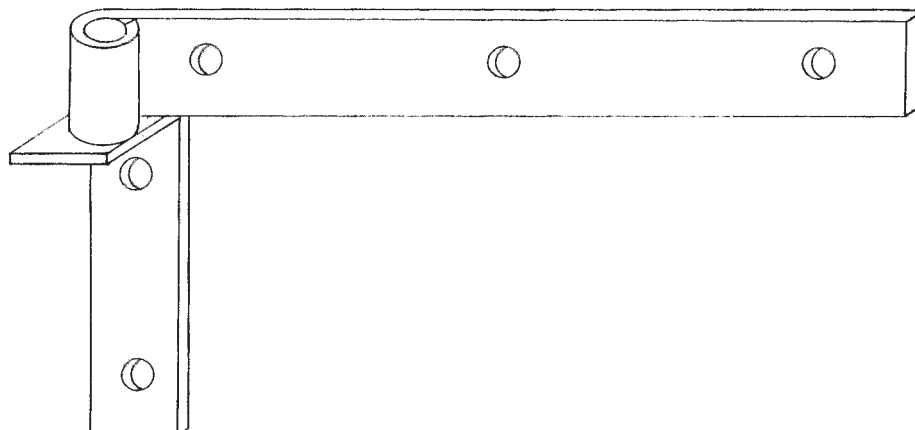
GLSS-100

Solid Brass Body and Stainless Steel Shackle PADLOCKS - NOW AVAILABLE



STAINLESS STEEL LIFT GATE HINGES

For any Heavy Duty corrosive application where the door or gate must be able to be removed Made from T-304 .187" thick Marine grade Stainless Steel, with welded 1/2" diameter pin. Straps are available in three sizes, 6", 8" and 10" lengths.



HINGES & FENCE HARDWARE

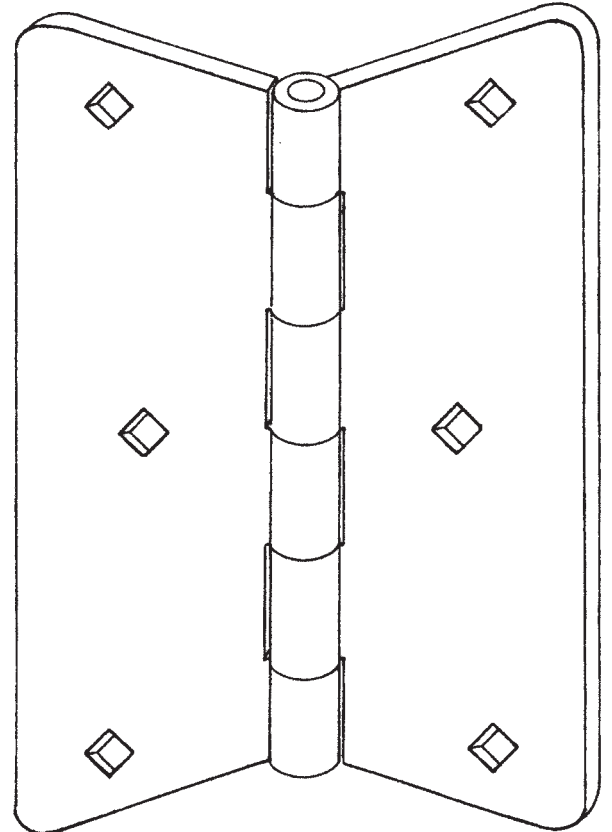


STAINLESS BUTTERFLY GATE HINGES

For use on PVC gates and fences. Can be used with standard bolts or carriage bolt applications. Heavy construction means decades of operation with no rust.

- ◆ All stainless construction
- ◆ Loose or fixed pins
- ◆ Heavy duty, 11 gauge material
- ◆ Available in black powder coated finish
- ◆ Available in lighter gauges
- ◆ Mounting hardware also available
- ◆ 4" wide x 7" long

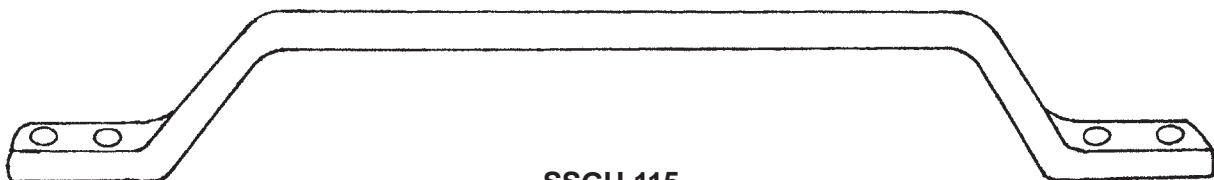
SPRING DESIGNS AVAILABLE UPON REQUEST



BFSS-120475-375 X 7" P

STAINLESS STEEL GATE HANDLES

Solid stainless steel 3/8" diameter handle, with full 6" of grip length (over 11 1/2")
Dual mounting holes at each end for heavy duty use.



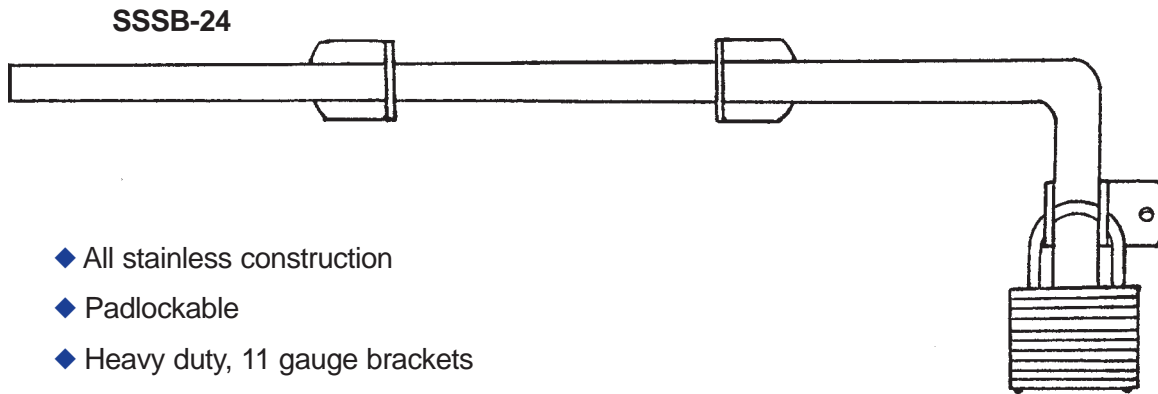
SSGH-115

FENCE HARDWARE



STAINLESS STEEL SLIDE BOLTS

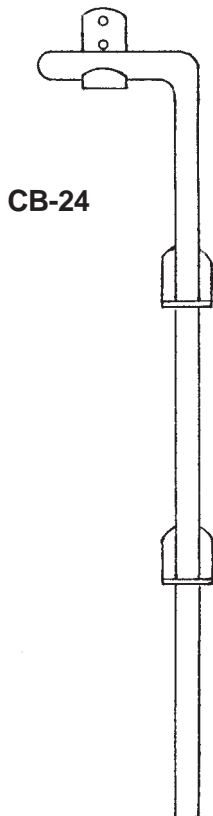
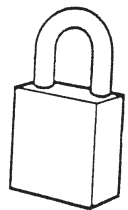
For use on gates, fences, shutters, doors industrial equipment, or any application where a heavy duty slide bolt would be needed. Heavy construction means decades of operation with no rust.



- ◆ All stainless construction
- ◆ Padlockable
- ◆ Heavy duty, 11 gauge brackets
- ◆ 5/8" diameter solid bolt
- ◆ Available in mill finish or Black Powder Coated

Padlock not included

Solid Brass Body and Stainless Steel Shackle PADLOCKS - NOW AVAILABLE



STAINLESS STEEL CANE BOLTS

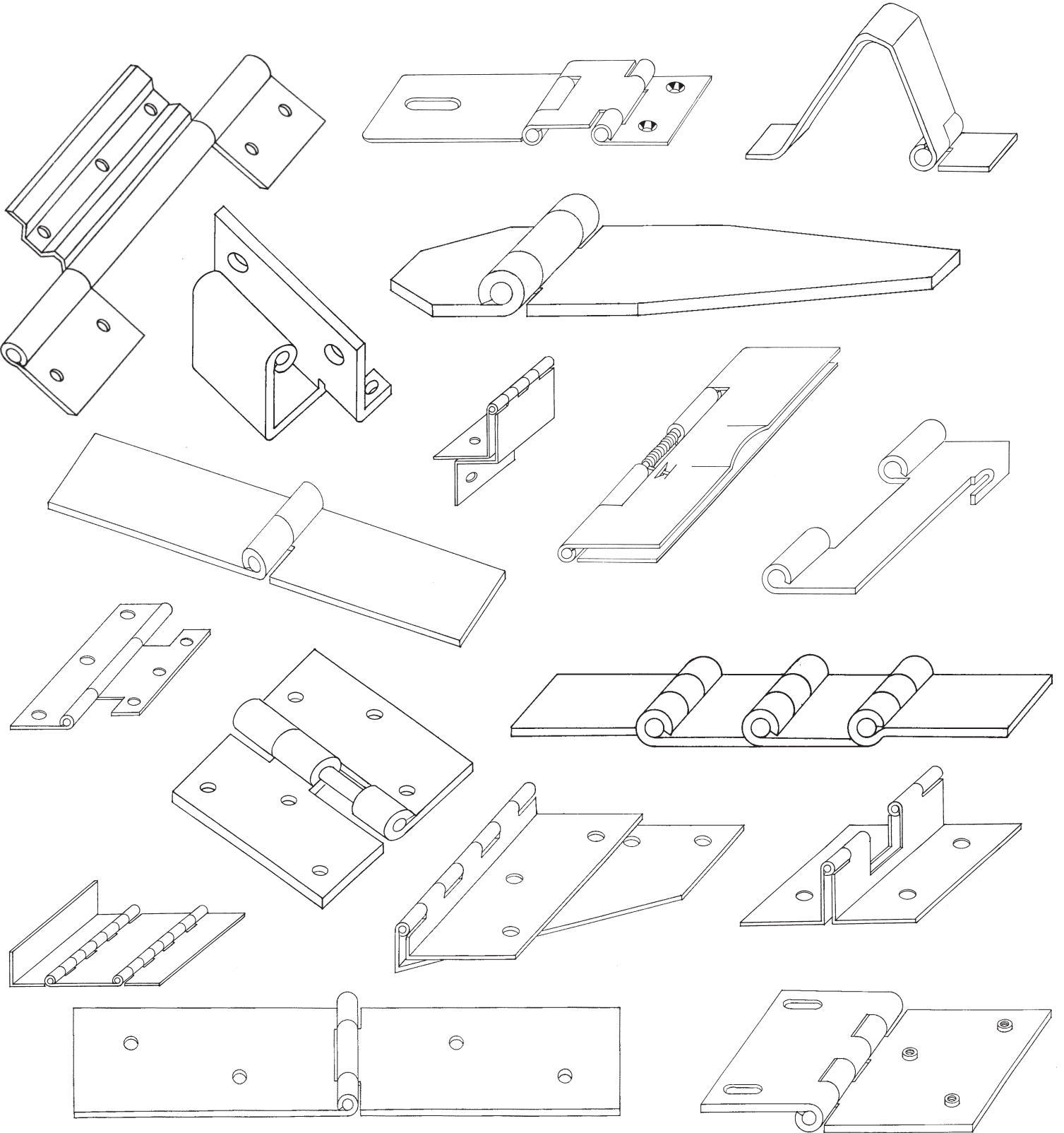
For gates around pools, storage shed, industrial doors, or any corrosive application. Manufactured from 18-8 alloy and supplied with 2 guides and 1-hanger both made from 11 gauge material. Bolt is 24" and is 5/8" diameter.

Finishes available:

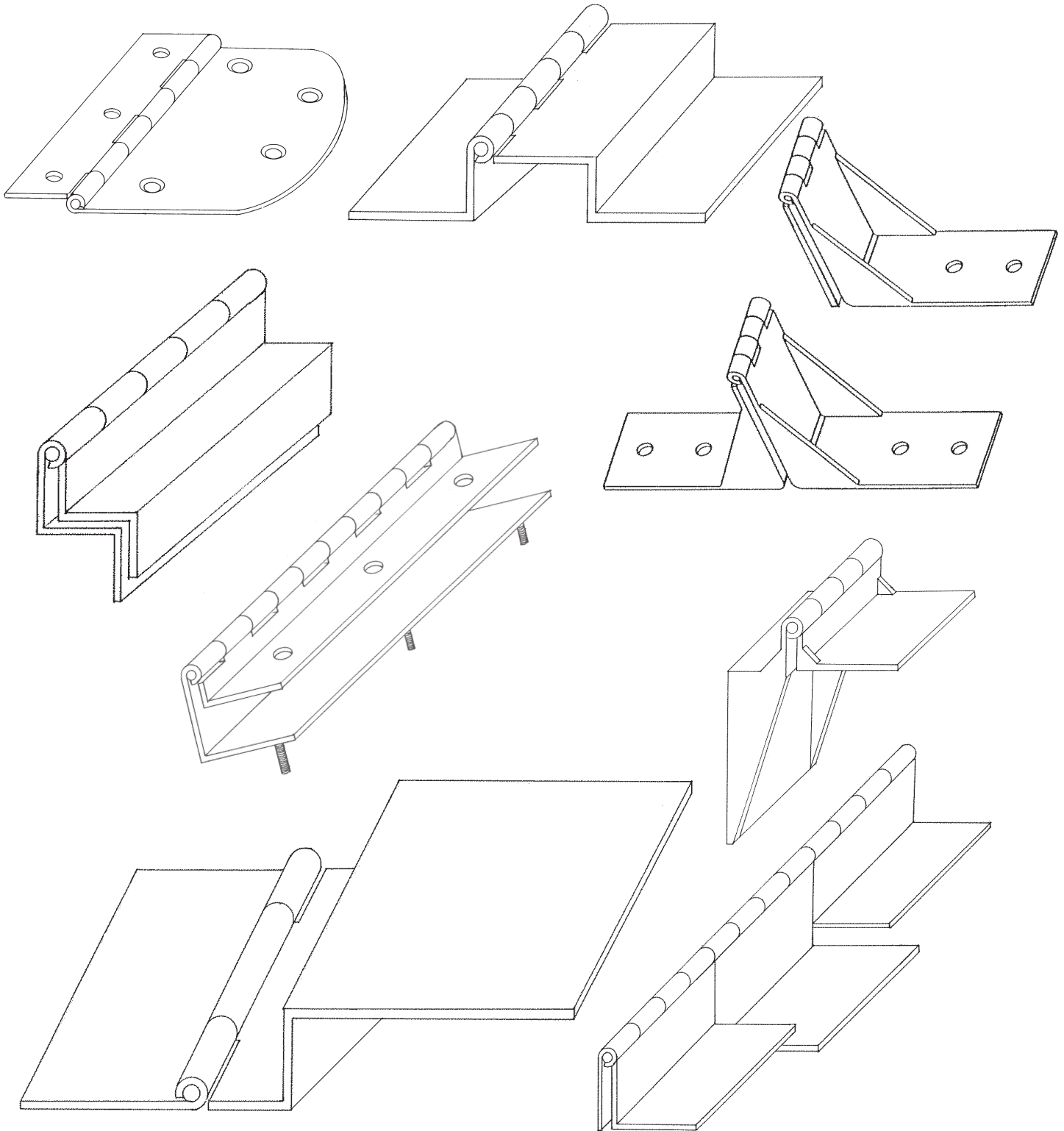
- ◆ Black or White Powder Coated
- ◆ Electro-Polished
- ◆ Mill Finish

AVAILABLE IN CUSTOM SIZES.

SPECIALS



SPECIALS



All Specials Are Custom Orders And Are Not Stocked Hinges



CONDITIONS OF SALE

PERFORMANCE: Jefco Manufacturing, Inc. shall furnish your order free from defects in material and workmanship. Further, your order will be supplied per your print specifications unless otherwise notified in writing.

CREDIT: Orders received will be shipped on an open account basis to firms with a satisfactory credit rating. Firms must submit a complete credit reference application. To expedite your initial order, you may request shipment to be made C.O.D., Credit Card, or send CASH in advance until credit can be established.

TERMS: All payments are due NET 30 DAYS from date of invoice.

FREIGHT: All shipments are F.O.B. our factory in Ft. Lauderdale, Florida. Our shipping department will route VIA the cheapest and most reliable carriers in the event you do not designate one. UPS shipments will be prepaid and added to the invoice.

RETURNS: The factory will not accept for credit any material which is not listed in our standard catalog and has been produced per the specifications of the customer. To return standard catalog items for credit you must receive permission. A 15% restocking and handling charge will be assessed on any return. All returns must be shipped "PREPAID."

In the event you receive a shipment which does not meet with the specifications of your order, please notify the factory within 30 days of the receipt of said shipment. When writing, please be sure to include a sample of the defective part. We will advise you immediately upon receipt of your sample regarding a replacement shipment and disposition of the defective goods.



We Now Accept:

**Visa, Mastercard
and Discover**



DECIMAL AND MILLIMETER EQUIVALENTS

DECIMALS	MILLIMETERS
$\frac{1}{64}$	0.015625
$\frac{1}{32}$.03125
$\frac{3}{64}$.046875
$\frac{1}{16}$.0625
$\frac{5}{64}$.078125
$\frac{3}{32}$.09375
$\frac{7}{64}$.109375
$\frac{1}{8}$.1250
$\frac{9}{64}$.140625
$\frac{5}{32}$.15625
$\frac{11}{64}$.171875
$\frac{3}{16}$.1875
$\frac{13}{64}$.203125
$\frac{7}{32}$.21875
$\frac{15}{64}$.234375
$\frac{1}{4}$.2500
$\frac{17}{64}$.265625
$\frac{9}{32}$.28125
$\frac{19}{64}$.296875
$\frac{5}{16}$.3125
$\frac{21}{64}$.328125
$\frac{11}{32}$.34375
$\frac{23}{64}$.359375
$\frac{3}{8}$.3750
$\frac{25}{64}$.390625
$\frac{13}{32}$.40625
$\frac{27}{64}$.421875
$\frac{7}{16}$.4375
$\frac{29}{64}$.453125
$\frac{15}{32}$.46875
$\frac{31}{64}$.484375
$\frac{1}{2}$.5

1 mm = .03937"

DECIMALS	MILLIMETERS
$\frac{33}{64}$	0.515625
$\frac{17}{32}$.53125
$\frac{35}{64}$.546875
$\frac{9}{16}$.5625
$\frac{37}{64}$.578125
$\frac{19}{32}$.59375
$\frac{39}{64}$.609375
$\frac{5}{8}$.625
$\frac{41}{64}$.640625
$\frac{21}{32}$.65625
$\frac{43}{64}$.671875
$\frac{11}{16}$.6875
$\frac{45}{64}$.703125
$\frac{23}{32}$.71875
$\frac{47}{64}$.734375
$\frac{3}{4}$.75
$\frac{49}{64}$.765625
$\frac{25}{32}$.78125
$\frac{51}{64}$.796875
$\frac{13}{16}$.8125
$\frac{53}{64}$.828125
$\frac{27}{32}$.84375
$\frac{55}{64}$.859375
$\frac{7}{8}$.875
$\frac{57}{64}$.890625
$\frac{29}{32}$.90625
$\frac{59}{64}$.921875
$\frac{15}{16}$.9375
$\frac{61}{64}$.953125
$\frac{31}{32}$.96875
$\frac{63}{64}$.984375
$\frac{1}{1}$	1.000

.001" = .0254 mm