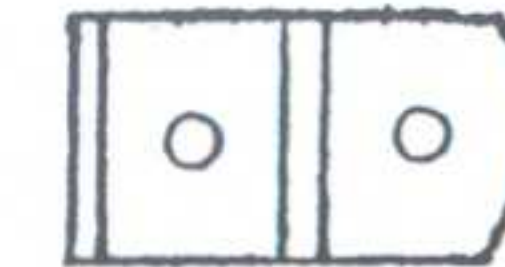


5/8" DIA. ROD 24" LENGTH



OPTIONAL ADDITIONAL  
LOCKING BRACKETS

SHOWN WITH PADLOCK & ADDITIONAL LOCKING BRACKETS ( NOT INCLUDED )

18-8 (T-304) STAINLESS STEEL



**JEFECO MANUFACTURING, INC.**

SCALE: NA

APPROVED BY:

DRAWN BY SPK

DATE: 1/1/2000

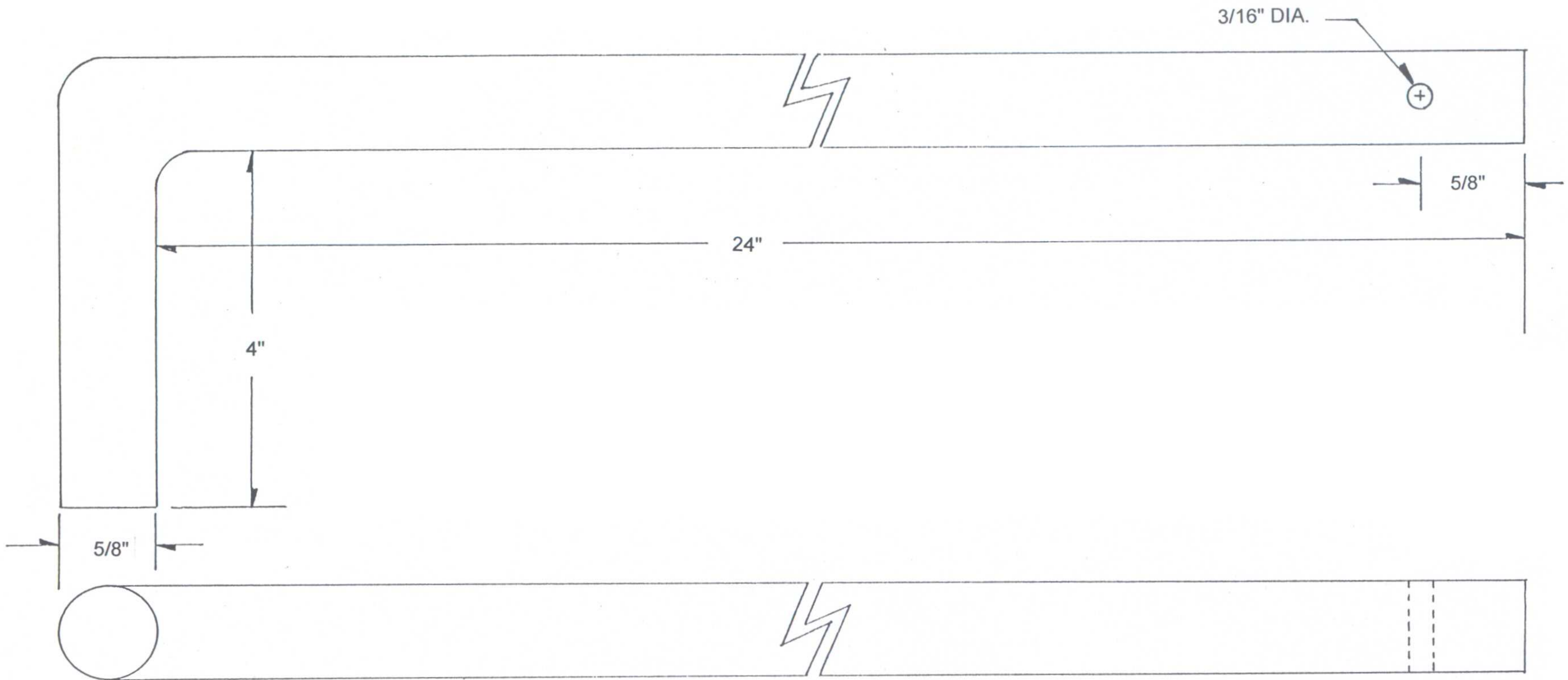
REVISED

S.S. SLIDE BOLTS

SSSB-24

DRAWING NUMBER

11090



18-8 (T-304) STAINLESS STEEL



**JEFCO MANUFACTURING, INC.**

SCALE: NA

APPROVED BY:

DRAWN BY SPK

DATE: 11/19/08

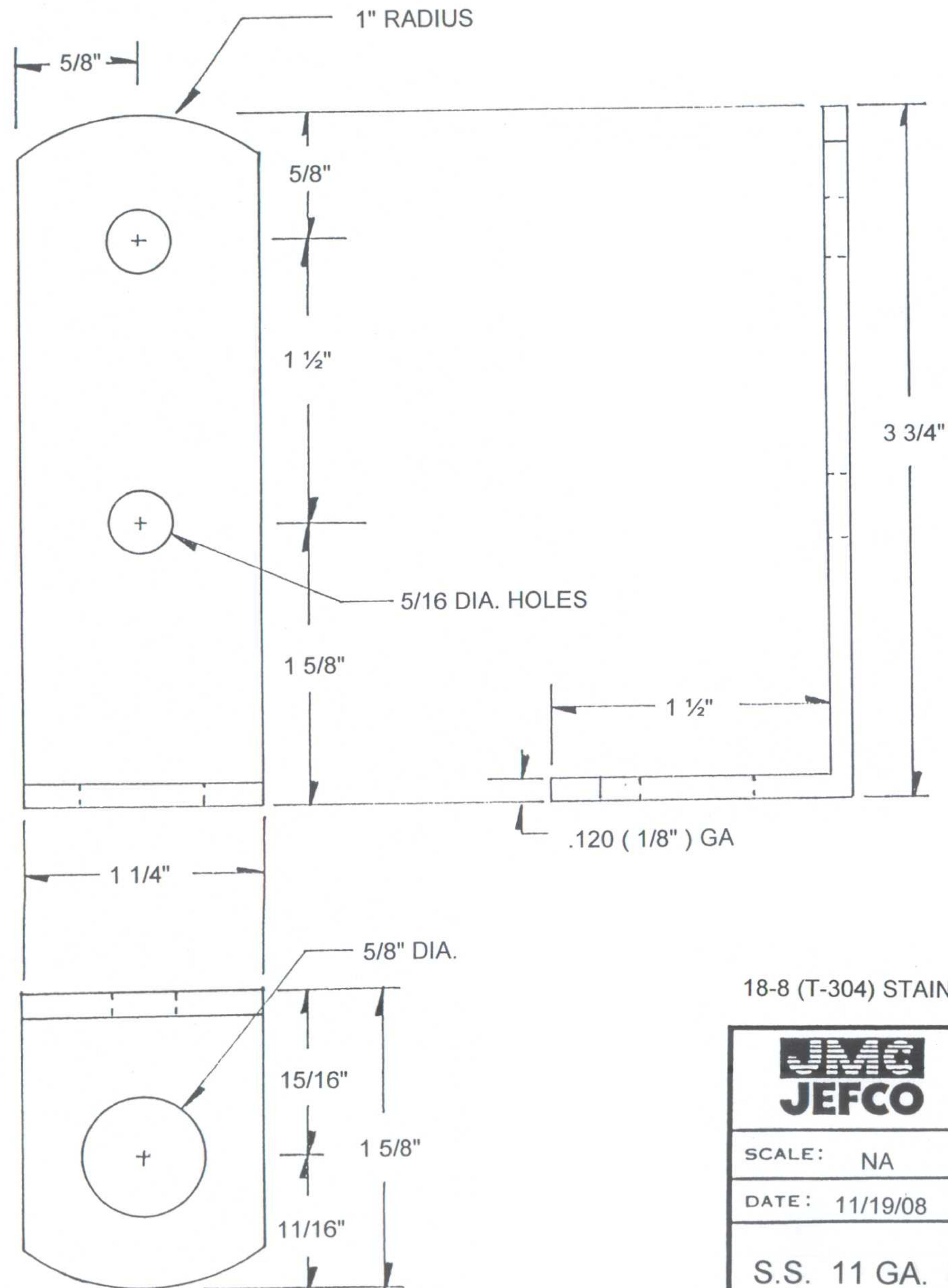
REVISED

S.S. 5/8" SLIDE BOLT

SSSB-24

DRAWING NUMBER

11090

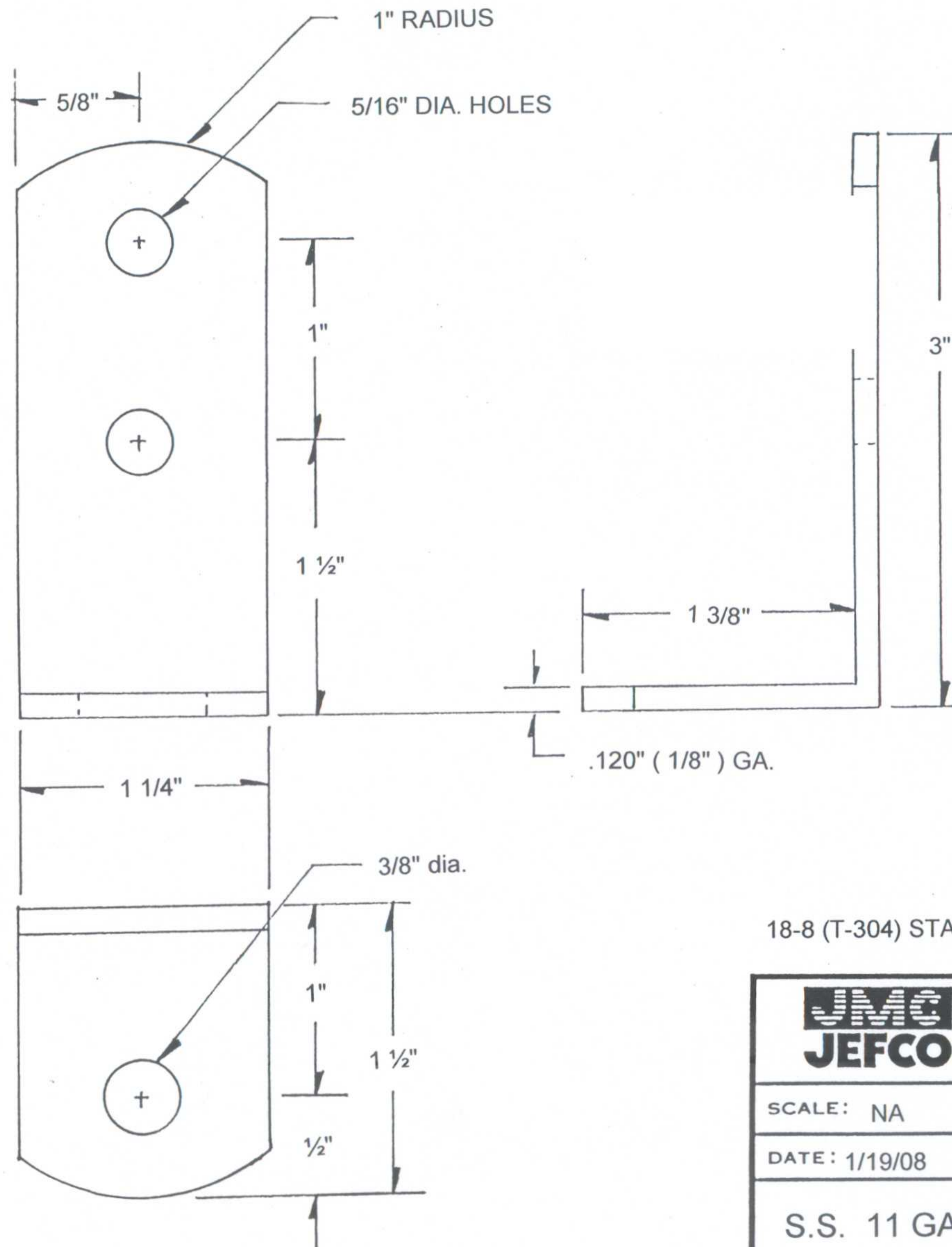


18-8 (T-304) STAINLESS STEEL



**JEFCO MANUFACTURING, INC.**

SCALE: NA	APPROVED BY:	DRAWN BY SPK
DATE: 11/19/08		REVISED
S.S. 11 GA. SLIDE BOLT GUIDE		
S.S. GUIDE 5/8"		DRAWING NUMBER 11518



18-8 (T-304) STAINLESS STEEL



**JEFCO MANUFACTURING, INC.**

SCALE: NA

APPROVED BY:

DRAWN BY SPK

DATE: 1/19/08

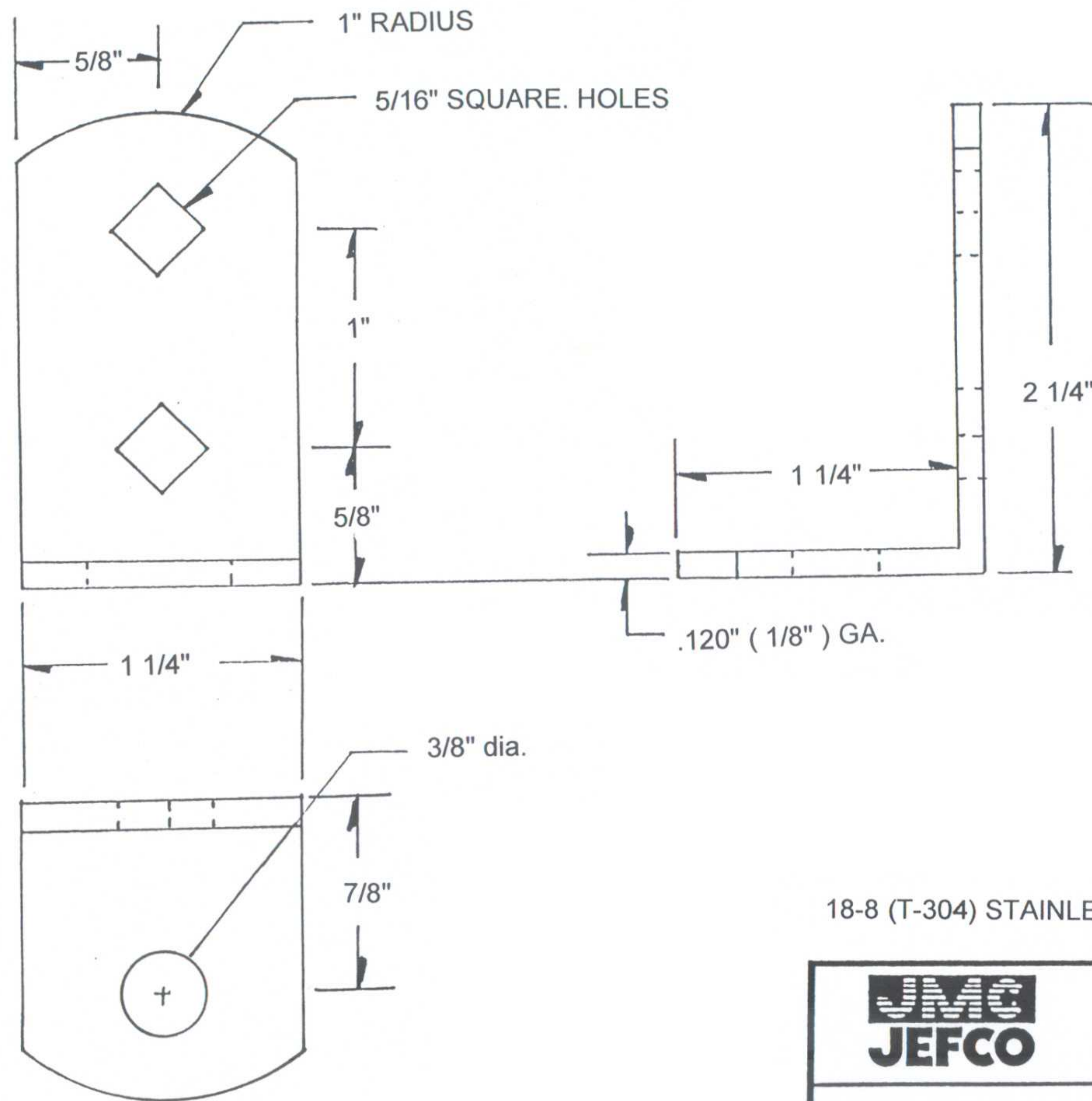
REVISED

S.S. 11 GA. LOCKING BRACKET LOWER

S.S. LOCKING BRACKET LOWER

DRAWING NUMBER

11903



18-8 (T-304) STAINLESS STEEL

<b>JMC</b> <b>JEFCO</b>		<b>JEFCO MANUFACTURING, INC.</b>	
SCALE: NA	APPROVED BY:		DRAWN BY SPK
DATE: 1/19/08			REVISED
S.S. 11 GA. LOCKING BRACKET UPPER			
S.S. LOCKING BRACKET UPPER			DRAWING NUMBER 11903