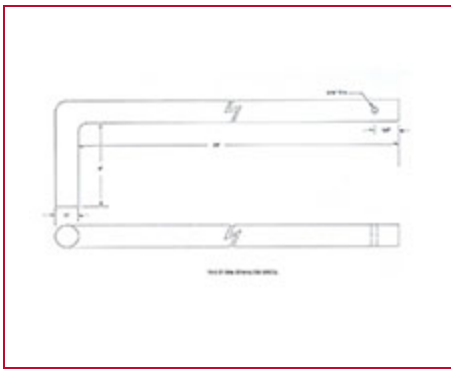




## Part # 11883, CB-24-1/2 Inch (in) MF Stainless Steel Cane Bolt Latch



[Specifications](#) | [Applications](#) | [Note](#)

### Specifications

<b>Material</b>	Stainless Steel
<b>Material Thickness</b>	0.120 in 11 gauge
<b>Bolt Length</b>	24 in
<b>Bolt Diameter</b>	1/2 in
<b>Handle Style</b>	Cane
<b>Construction Type</b>	Heavy-Duty
<b>Finish</b>	Mill Finish
<b>Weight</b>	2.155 lb

## Applications

### Applications

For use on gates, fences, around pools, double doors, industrial equipment or anywhere that corrosion is a problem, such as beach or coastal properties, industrial areas, farms or outdoors.

## Note

### Note

Locking brackets available for security applications.