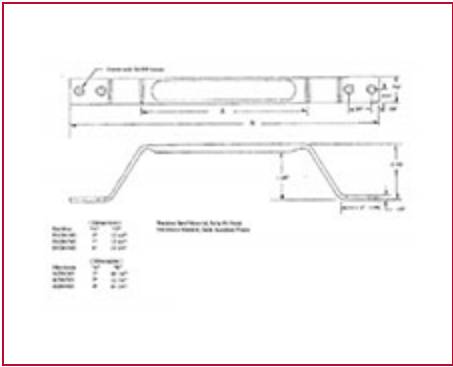




Part # 12573, SSGH-500 Stainless Steel Gate Handle

Dual mounting holes on each end for added strength.



[Specifications](#) | [Applications](#)

Specifications

Material Thickness	0.120 in 11 gauge
Open Width	7/8 in
Hinge Length	5 in
Note for Length	For your hand
Overall Length	10-1/4 in 12-1/4 in 14-1/4 in
Material	Stainless Steel
Weight	0.350 lb

Applications

Use anywhere that Corrosion is a problem: Gates, Fences, Around Pools, Industrial Equipment Beach or Coastal Properties, Farms or Outdoors.