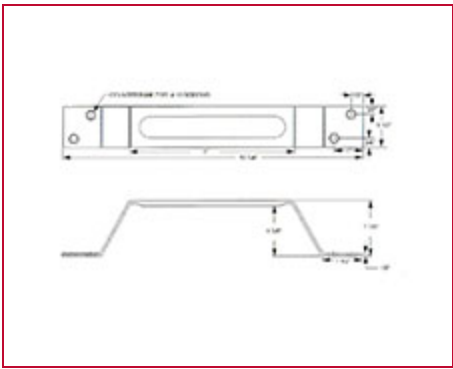




## Part # 12573W, SSGH-515 Stainless Steel Gate Handle

Dual mounting holes on each end for added strength.



[Specifications](#) | [Applications](#)

### Specifications

<b>Material Thickness</b>	0.120 in 11 gauge
<b>Open Width</b>	1.50 in
<b>Hinge Length</b>	5 in
<b>Note for Length</b>	For your hand
<b>Overall Length</b>	10-1/4 in 12-1/4 in 14-1/4 in
<b>Material</b>	Stainless Steel
<b>Weight</b>	0.590 lb

**Applications**

Use anywhere that Corrosion is a problem: Gates, Fences, Around Pools, Industrial Equipment Beach or Coastal Properties, Farms or Outdoors.