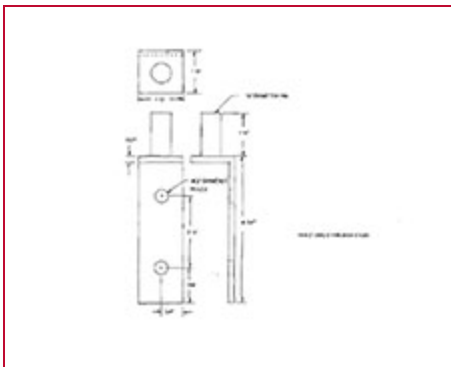




## Part # 30178, Lift Gate Hanger

3/16" (0.187" ) Solid Bar Stock Material with 1/2" diameter Pivot Pin

Designed for Heavy-Duty Corrosive Applications that require the door or gate to be removed.



### Specifications

<b>Material Thickness</b>	0.187 in 7 gauge
<b>Pin Diameter</b>	1/2 in
<b>Height</b>	4-1/4 in
<b>Material</b>	304 Stainless Steel
<b>Style</b>	Lift Off
<b>Weight</b>	0.465 lb