



DESIGNED TO MOVE [YOU][®]

Marine Entertainment System [JMS3SPKG]



KEY FEATURES:

- 160 watts (40W x 4)
- Waterproof (IPX6)
- Bluetooth[®] streaming audio (A2DP/AVRCP)
- Single-touch Bluetooth pairing button
- USB input connects digital media devices (MP3/WMA player)
- AM/FM tuner
- Weatherband
- Rear auxiliary input (RCA)
- Rear auxiliary output (2-volt)
- Line-out audio (RCA)
- Conformal coated circuit board prevents corrosion
- Corrosion resistant materials/finishes (ASTM D4329)
- UV resistant front panel (ASTM B117)
- Dimensions: 3.5" diameter x 4.5" depth

SPEAKER:

- 6.5"
- 60 watts maximum handling power
- One-piece basket design

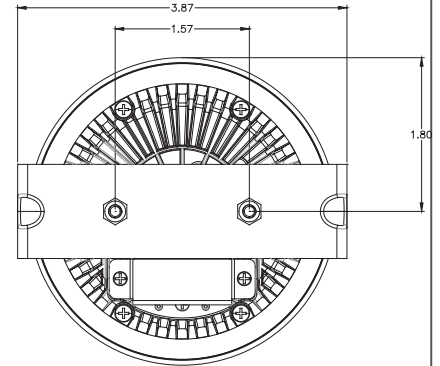
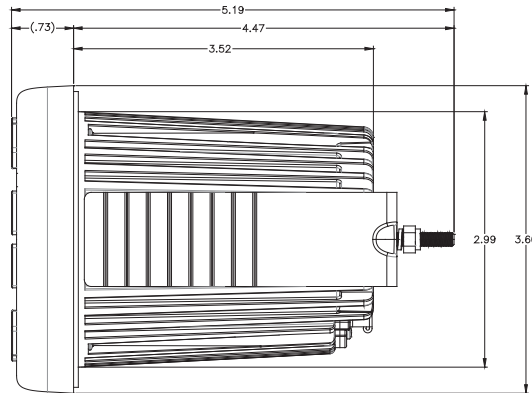
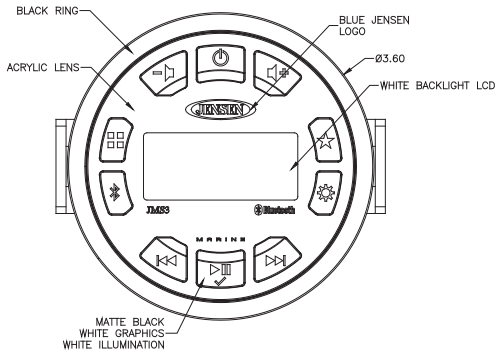
MARINE CERTIFIED



DESIGNED TO MOVE [YOU][®]

Marine Entertainment System [JMS3SPKG]

JMS3



Specifications

General Specifications

Power System		12 VDC
Operating Voltage Range		10 V to 16V
Current Draw @ 12V	Idle	145 mA
	Nominal	1.5 A
	Maximum	10 A
Operating Temperature Range		-4°F to 149°F -20°C to 65°C
Storage Temperature Range		-22°F to 158°F -30°C to 70°C
Maximum Relative Humidity		100%
Overall Package Dimensions		3.5" Diameter x 4.5" Depth
Product Weight (unpacked)		1.2 lbs.

Performance Specifications

FM Sensitivity		14 dBu
AM Sensitivity		30 dBu
Output Power	RMS	15 W x 4
	Maximum	40 W x 4
Total Harmonic Distortion		1 %
Applied Test Suite		ASA ES0001
Regulatory Certifications		FCC Part 15; CE; RoHS