



## MWR75 Wired Remote Installation Instructions

### Introduction

Thank you for choosing a Jensen product. The MWR75 Marine Wired Remote Control allows you to control basic functions of Jensen Marine radios, including power, mode, volume, tuning, CD, CD changer and satellite tuners.

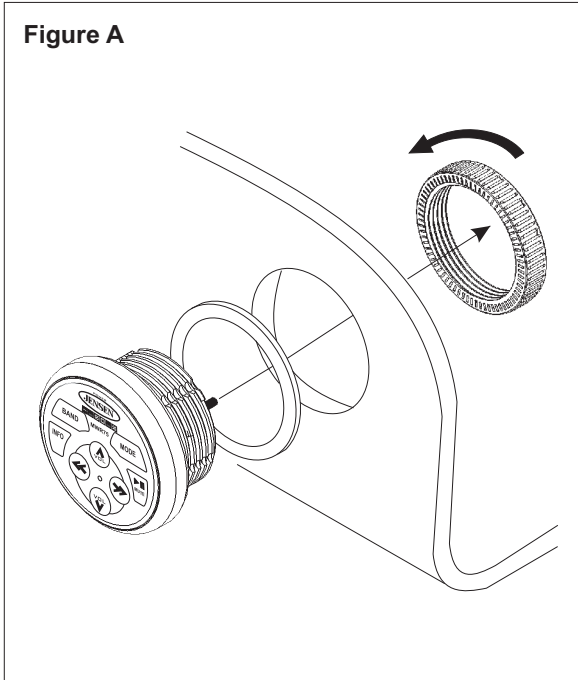
### Installation

1. Choose a mounting location on the instrument panel that will allow enough room behind the panel to run the wired remote cables to the existing radio.
2. Cut a hole in the instrument panel using the supplied template. At least 2 1/2" depth is needed to mount the remote control.

*Important: Do not mount unit where it can be submerged or subjected to high pressure spray.*

3. Insert the remote control into the rubber foam gasket and then into the hole in the instrument panel. Secure from the other side using the threaded ring, illustrated in Figure A.

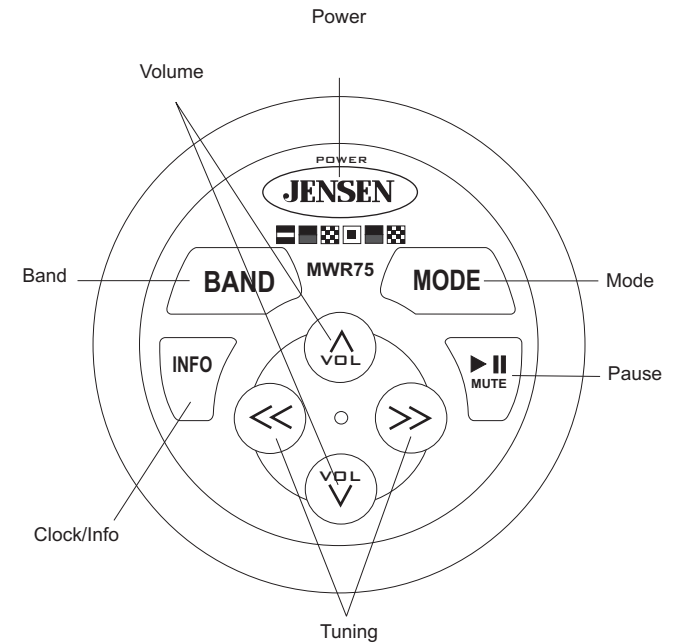
Figure A



## Wiring

Once the remote has been mounted, route the cable from the remote and connect the cable to the radio. Note the connector polarity on the extension cable. The 18 foot extension cable may be used to connect the remote to the radio. Up to two additional extension cables (MWREXT) may be purchased and used to extend the reach of the remote up to 54 feet. Important: When connecting the cables, be sure to route the extension cable away from sharp objects, corners, and places where it might get pinched, as this could affect performance and cause damage to the unit. Up to two more remote controls can be added with a "Y" cable adapter (MWRYCBL5).

## Operation / Operación / Fonctionnement



# MOUNTING TEMPLATE

