
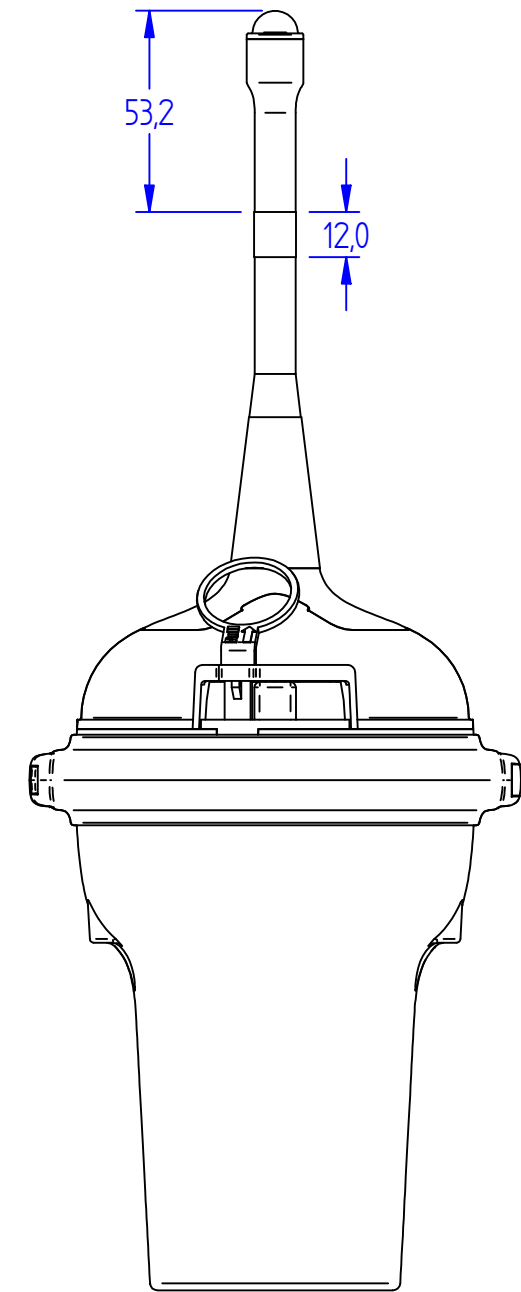


Rev	Symb	EM No	Sign	Date	Description / Change
A	-	AD		10.08.2011	First version
Revision History					

Sharp edges broken Surface treatment:		This drawing is property of Jotron AS and must not be duplicated or used for manufacturing of any parts disclosed herein without permission from Jotron AS.	
Material:	General tolerance: NS-ISO-2768-1-m	General Surface Roughness, Rn:	
Approved:	Original Model: Arne_D	Original Draft: Arne_D	
Date: See Revision History		Size: A3	Scale: 1:2
FB60 Bracket w. Protective Cover 60S		Sheet: 1 / 2	
M-85621		Rev: B	

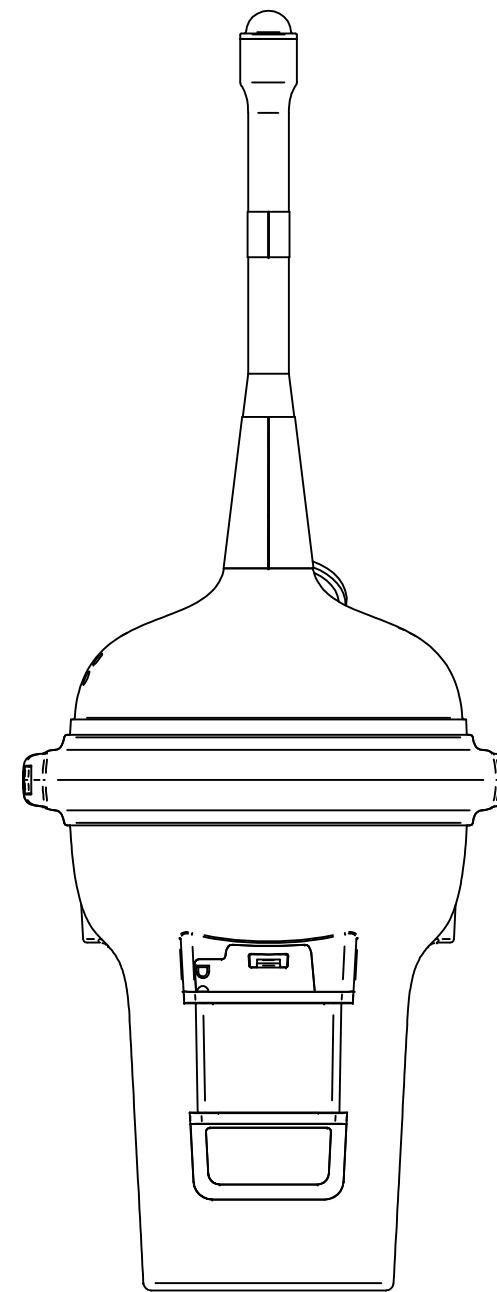
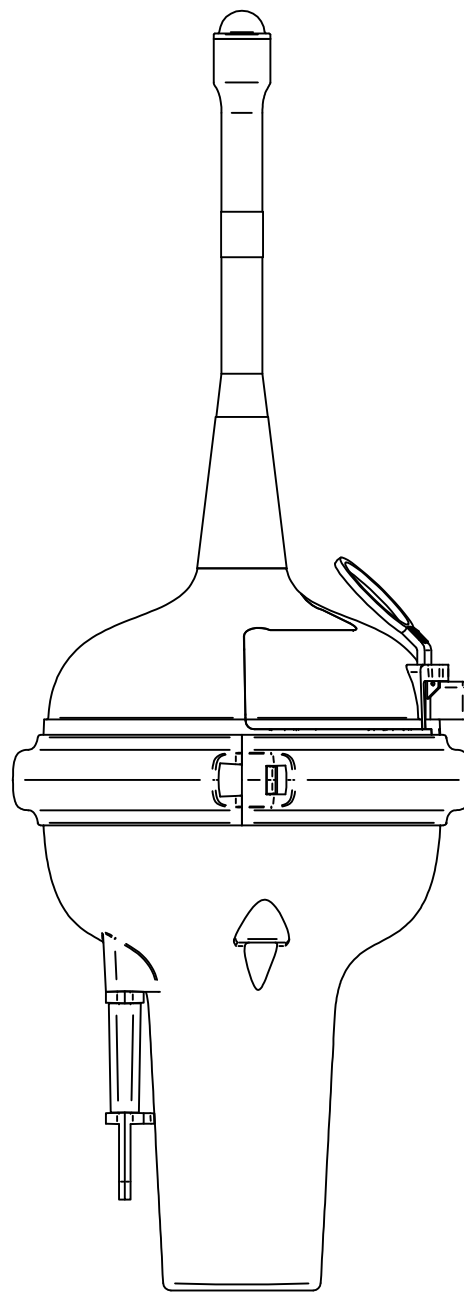
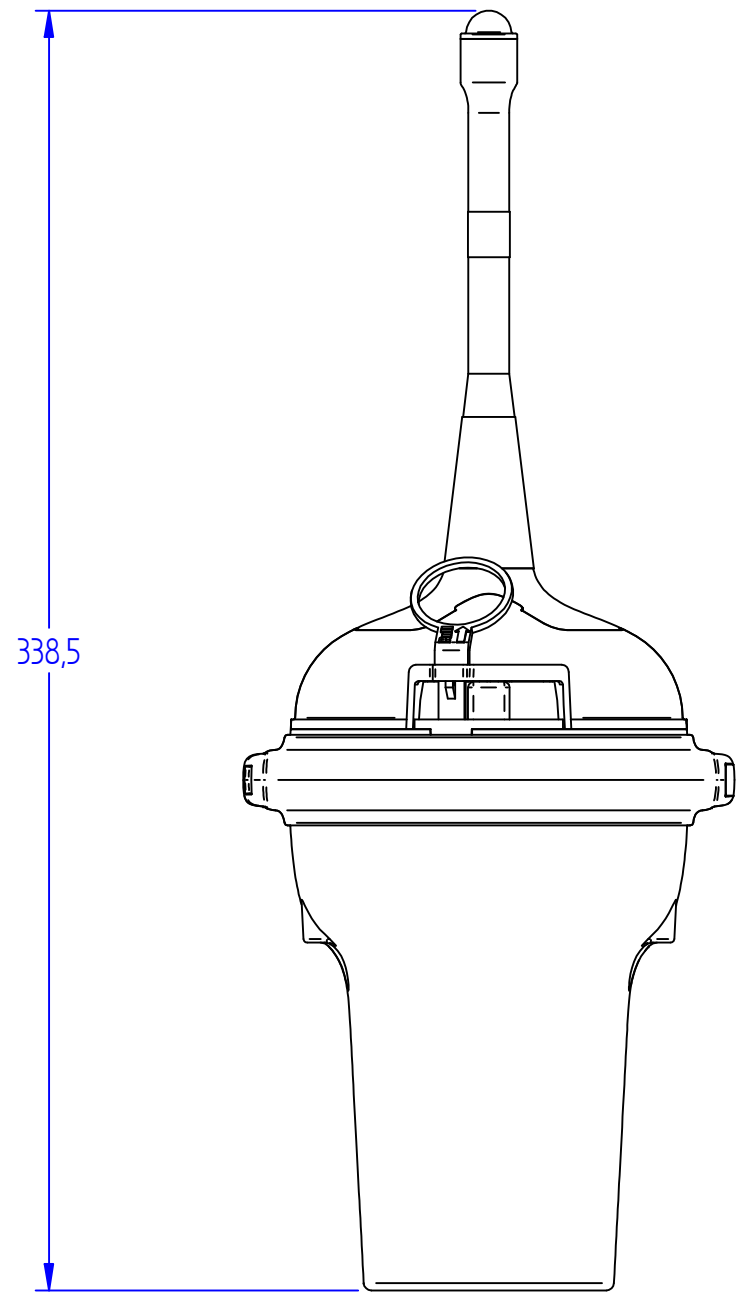


1:2

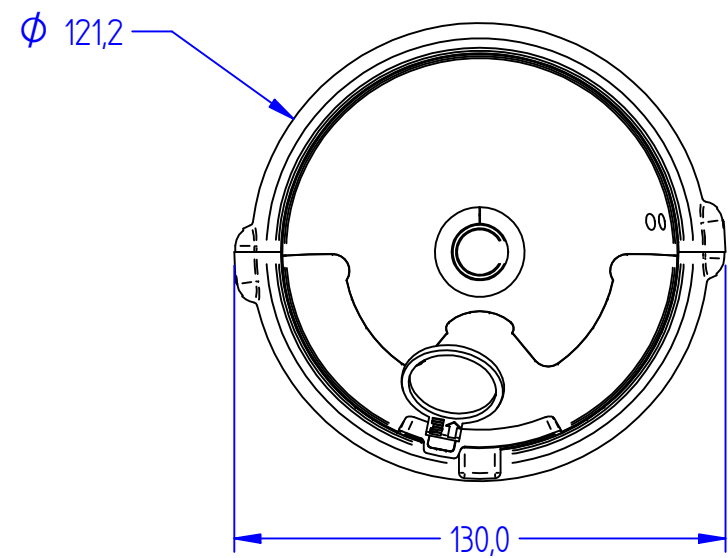
Rev	CN No	Sign	Date	Description / Change
B	6393/6432/6433	TN	19.09.2011	Sec. version
A	-	TN	25.07.2011	First version
Revision History				

Material/Density/Mass: / / 697,9 g		This drawing is property of Jotron AS and must not be duplicated or used for manufacturing of any parts disclosed herein without permission from Jotron AS.		
General tolerance NS-ISO-2768-1-m	General Surface Roughness Ra: -			
Approved:	Original model: Terje	Original draft: Terje	Date: See Revision History	
EPIRB TRON 60S/GPS		Size: A3	Scale: :	Sheet: 1 / 3
		M-83070		Rev: B





1:2



<p>This drawing is a property of Jotron AS and must not be duplicated or used for manufacture of the parts disclosed herein without permission from Jotron AS.</p>				
				Size:
<p>EPIRB</p> <p>TRON 60S/GPS</p>		<p>A3</p>	<p>M-83070</p>	<p>Rev:</p> <p>B</p>