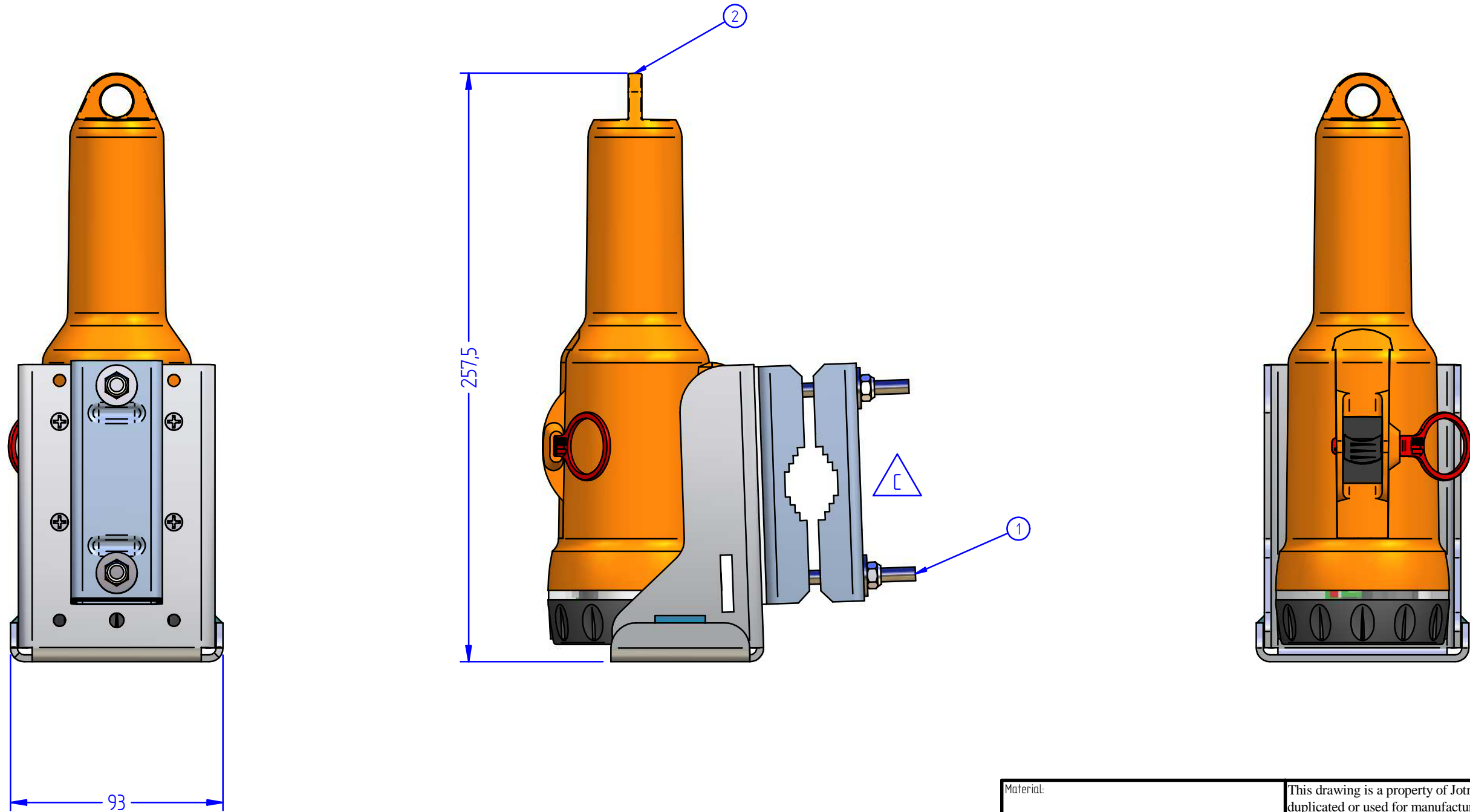

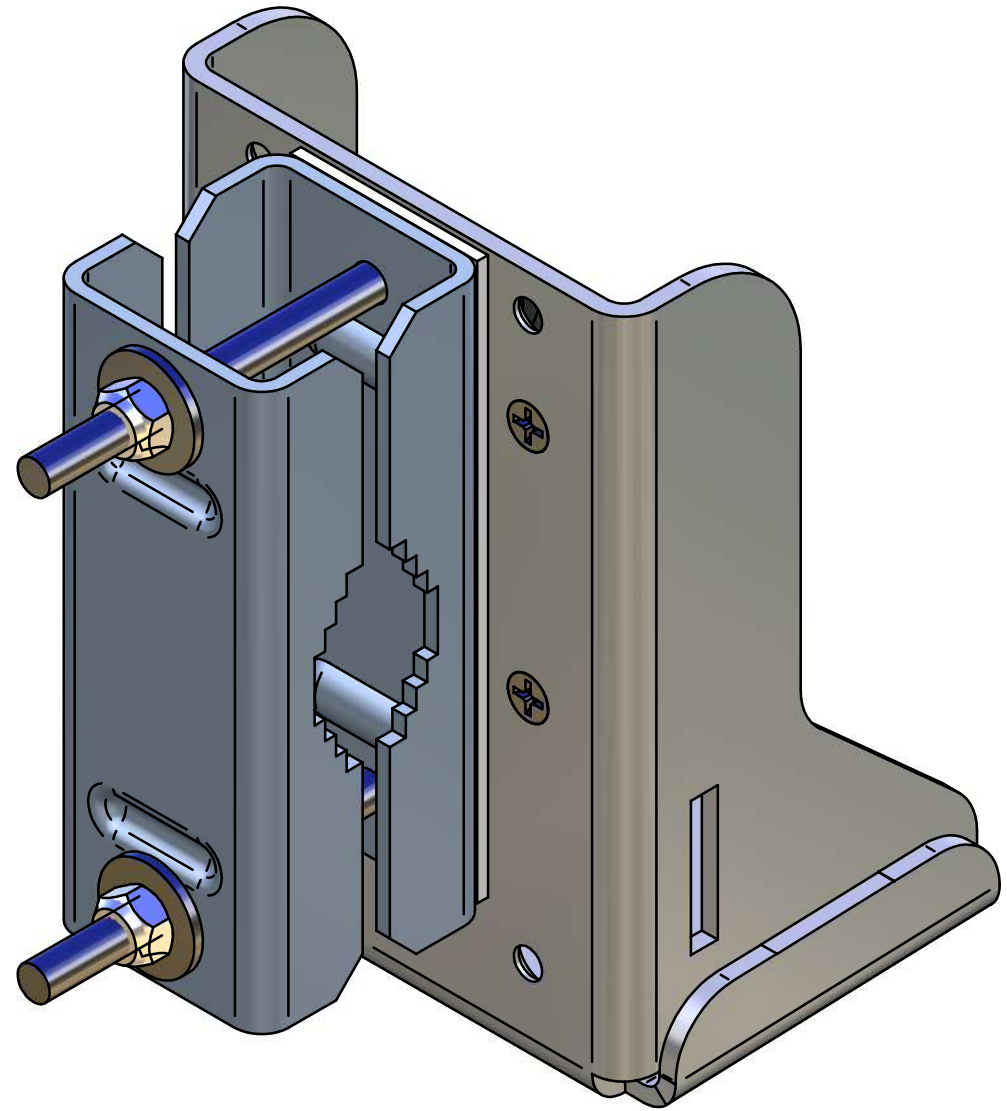
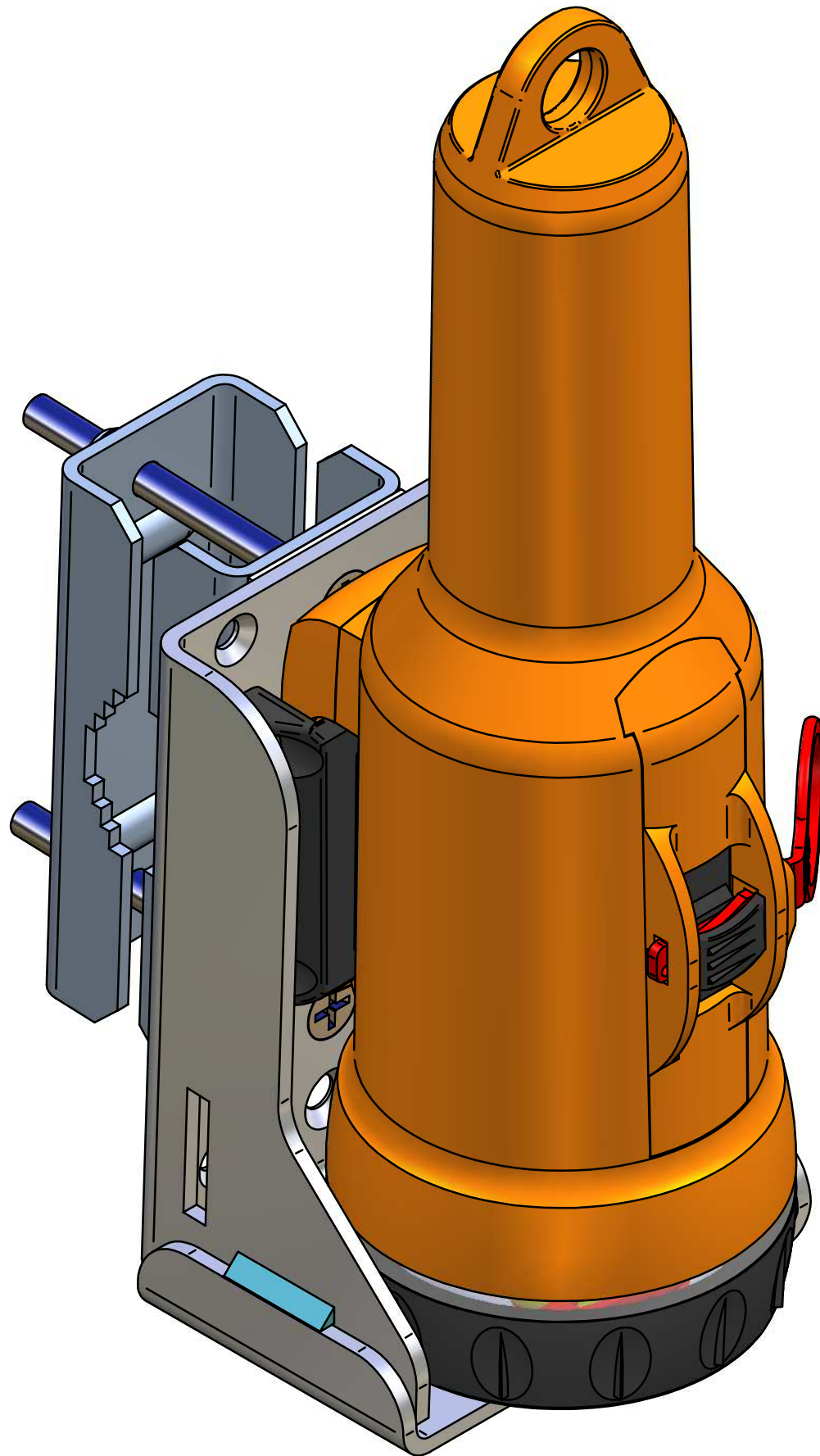


Item Number	Document Number	Title	Revision	Quantity
1	M-84845	LIFEBOAT BRACKET (NEW)	A	1
2	M-83010	Tron SART20	A	1



Rev	Symb	EM No	Sign	Date	Description / Change
D		5956	TN	05.02.2009	Lifeboat bracket M-84065 replaced with new bracket 84845.
C		5715	TN	15.05.2008	M-84065 lifeboat bracket revised to C.
B		5643	LE	26.02.2008	New version of M-84164_BRACKET_UNIVERSAL (REV-B).
A		-	LE	18.12.2007	First version
Revision History					

Material:		This drawing is a property of Jotron EI. and must not be duplicated or used for manufacture of the parts disclosed herein without permission from Jotron Electronics			
General Tolerance: NS-ISO-2768-1-m		General Surface Roughness, Ra:			
Approved:	Original Model: Terje	Original Draft: Terje	Date: See Revision History		
TRON SART 20 IN LIFEBOAT BRACKET Tron SART 20				Size: A3	Scale: 1:2
				Sheet: 1/2	Rev: D
				M-83010, M-84845	

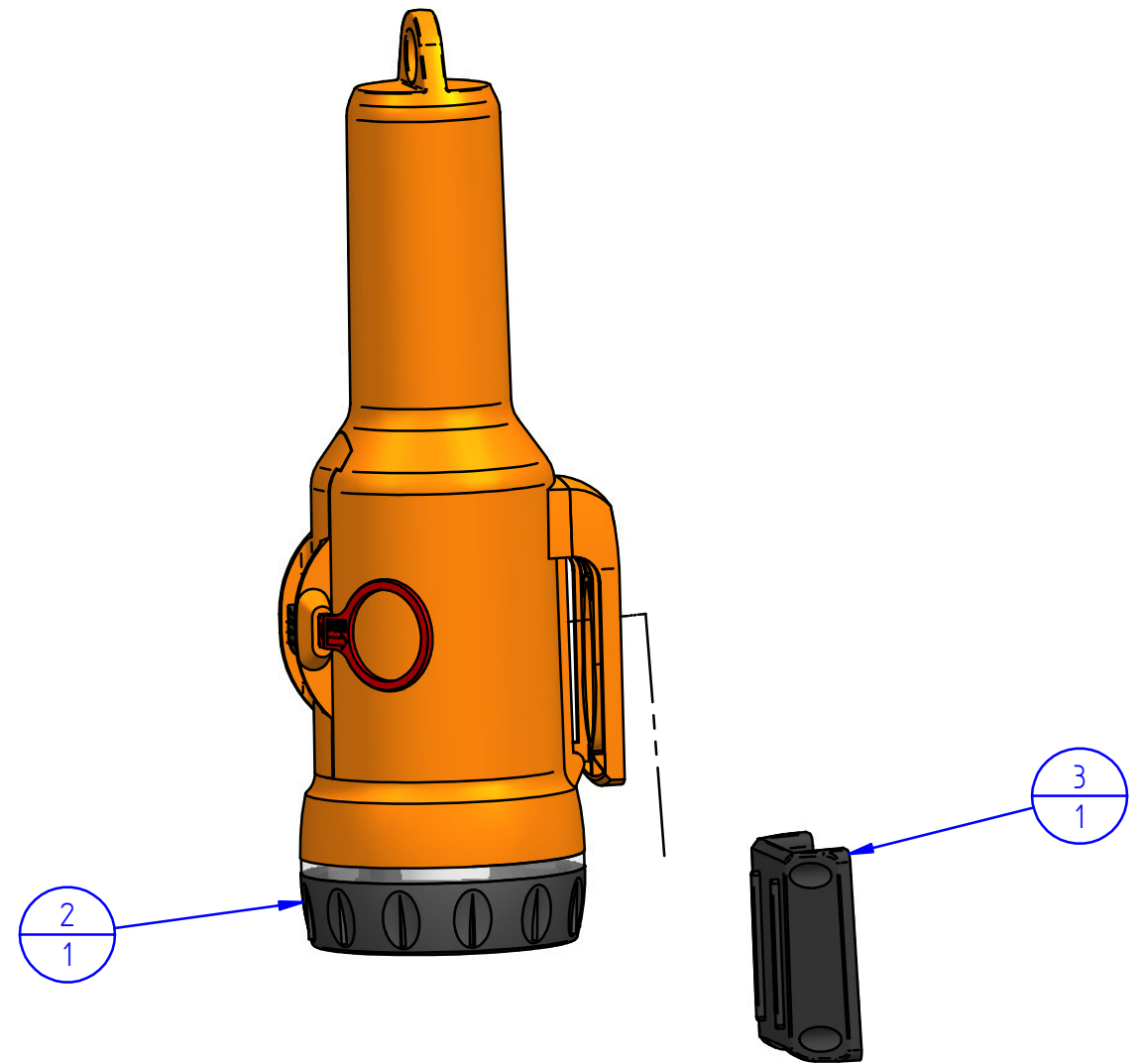
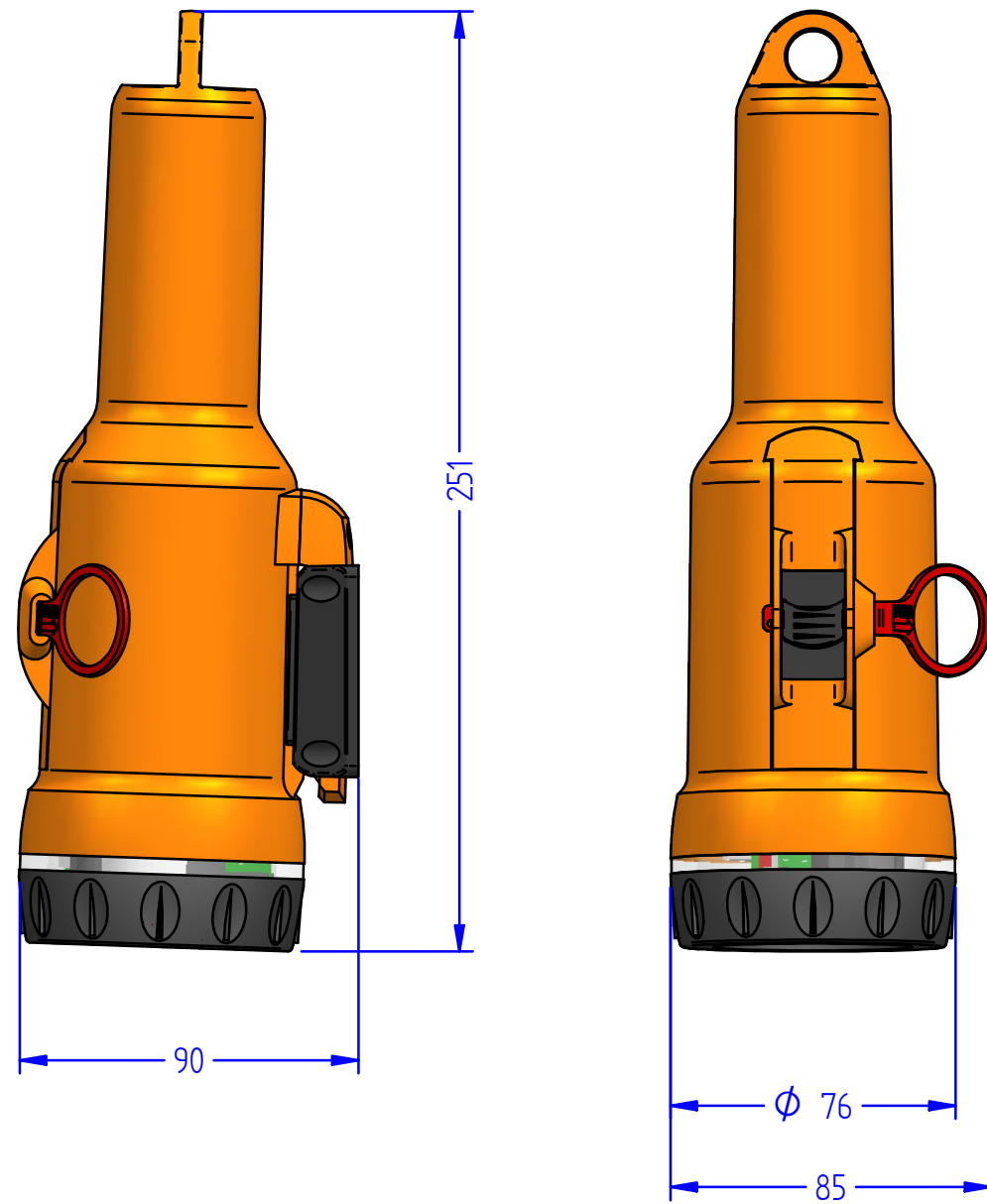


Rev	Symb	EM No	Sign	Date	Description / Change

Revision History

Material:		This drawing is a property of Jotron EI. and must not be duplicated or used for manufacture of the parts disclosed herein without permission from Jotron Electronics	
General Tolerance: NS-ISO-2768-1-m		General Surface Roughness, Ra:	
Approved:	Original Model: Terje	Original Draft: Terje	Date: See Revision History
TRON SART 20 IN LIFEBOAT BRACKET Tron SART 20		Size: A3	Scale: 1 : 2
		Sheet: 2 / 2	Rev: D
		M-83010, M-84845	

Item Number	Document Number	Title	Material	Quantity
2	M-83010	Tron SART20		1
3	M-82746	WALL BRACKET	ROTEC ASA S 510	1



Rev	Symb	EM No	Sign	Date	Description / Change
P-1	-	LE	22.03.2007		Draft version
Revision History					

Material:		This drawing is a property of Jotron EI. and must not be duplicated or used for manufacture of the parts disclosed herein without permission from Jotron Electronics			
General Tolerance: NS-ISO-2768-1-m		General Surface Roughness, Ra:			
Approved:	Original Model: LE	Original Draft: LE	Date: See Revision History		
TRON SART 20 IN WALL BRACKET Tron SART 20				Size: A3	Scale: 1:2
				Sheet: 1/1	Rev:
M-83010, M-82746					