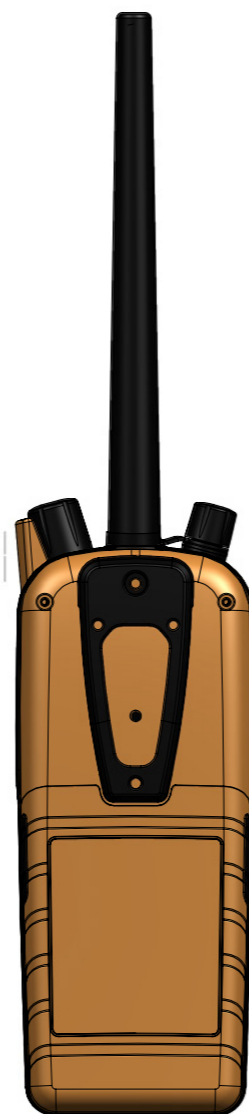


Sharp edges broken
Surface treatment:

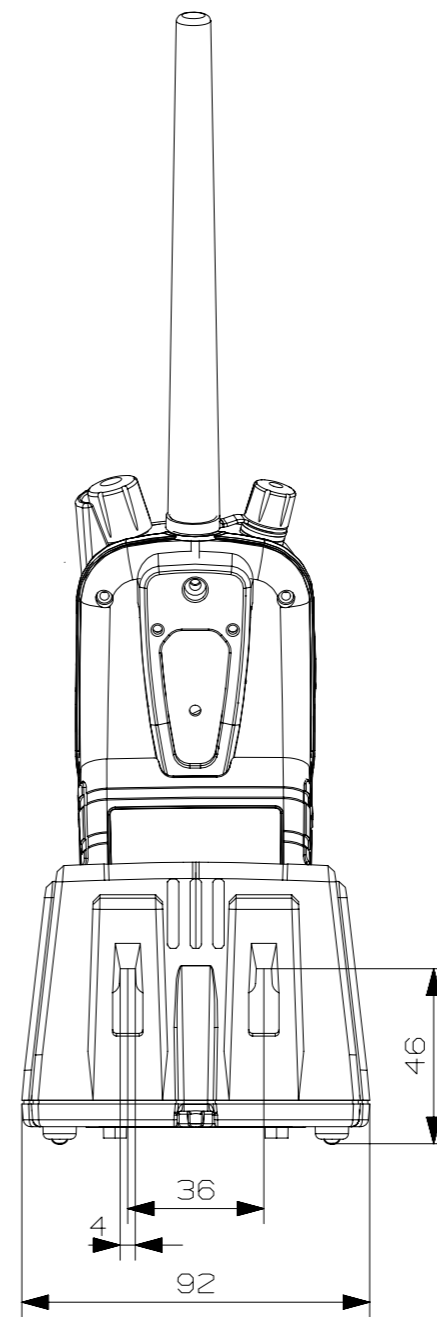
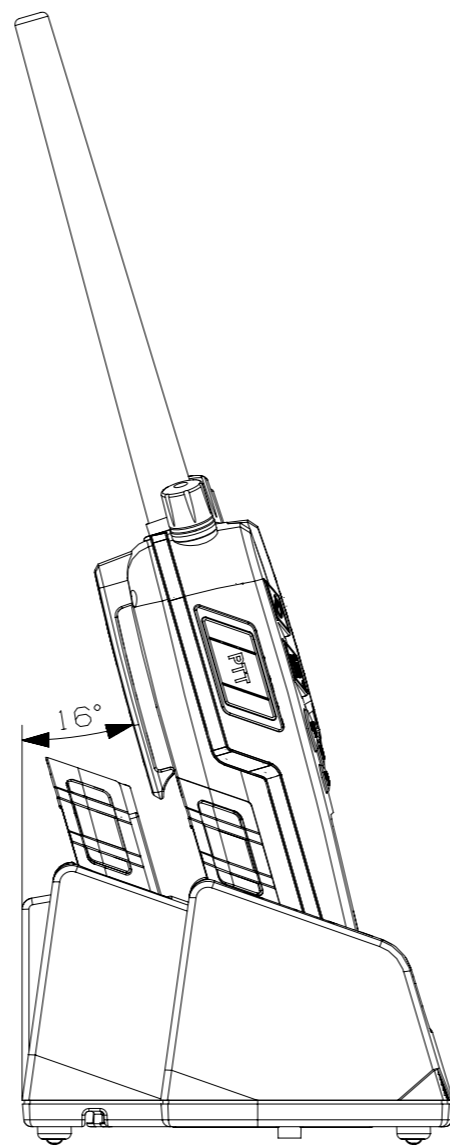
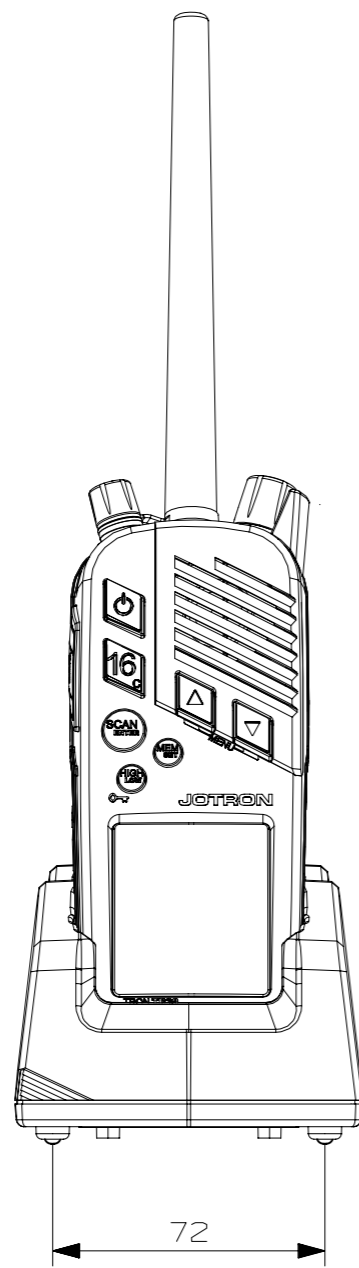
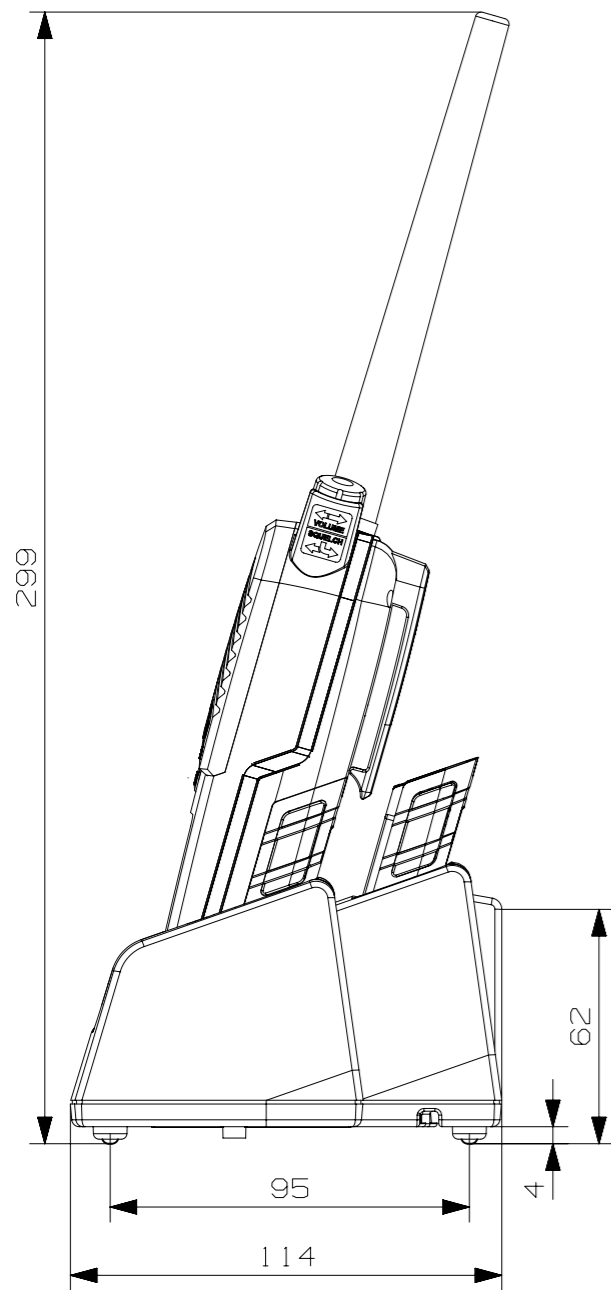
Material/Density/Mass:		This drawing is property of Jotron AS and must not be duplicated or used for manufacturing of any parts disclosed herein without permission from Jotron AS.		
Material :				
General tolerance	Roughness Ra:			
NS-ISO-2768-1-mK	RA3,2			
Part Name:		Size:	Scale:	Sheet:
Tron TR30 GMDSS VHF Radio		A3	1:1	1/2
		Part No:	Rev:	
		87950	B	

Rev	CN	Sign	Date	Description / Change
B	-	AV	31.aug'17	Illustration
Revision History				



Sharp edges broken
Surface treatment:

Material/Density/Mass:		This drawing is property of Jotron AS and must not be duplicated or used for manufacturing of any parts disclosed herein without permission from Jotron AS.			
Material :					
General tolerance	Roughness Ra: RA3,2				
Part Name:					Size:
Tron TR30 GMDSS VHF Radio			A3	1:1	2/2
			Part No:	Rev:	
			87950	B	



Rev	Sign	Date	Description / Change
A	CN	31.aug'17	Illustration only
Revision History			

Sharp edges broken
Surface treatment:

Material/Density/Mass: Material :		This drawing is property of Jotron AS and must not be duplicated or used for manufacturing of any parts disclosed herein without permission from Jotron AS.		
General tolerance	Roughness Ra: RA3,2			
Part Name: TR30 w charger		Size: A3	Scale: 1:2	Sheet: 1/2
		Part No: 001778		Rev: A





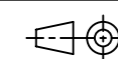
Sharp edges broken
Surface treatment:

Material/Density/Mass:
Material :

This drawing is property of Jotron AS and must not be duplicated or used for manufacturing of any parts disclosed herein without permission from Jotron AS.

General tolerance

Roughness Ra:
RA3,2



Part Name:

TR30 w charger

Size:
A3

Scale:
1:1

Sheet:
2/2

Part No:
001778

Rev:
A