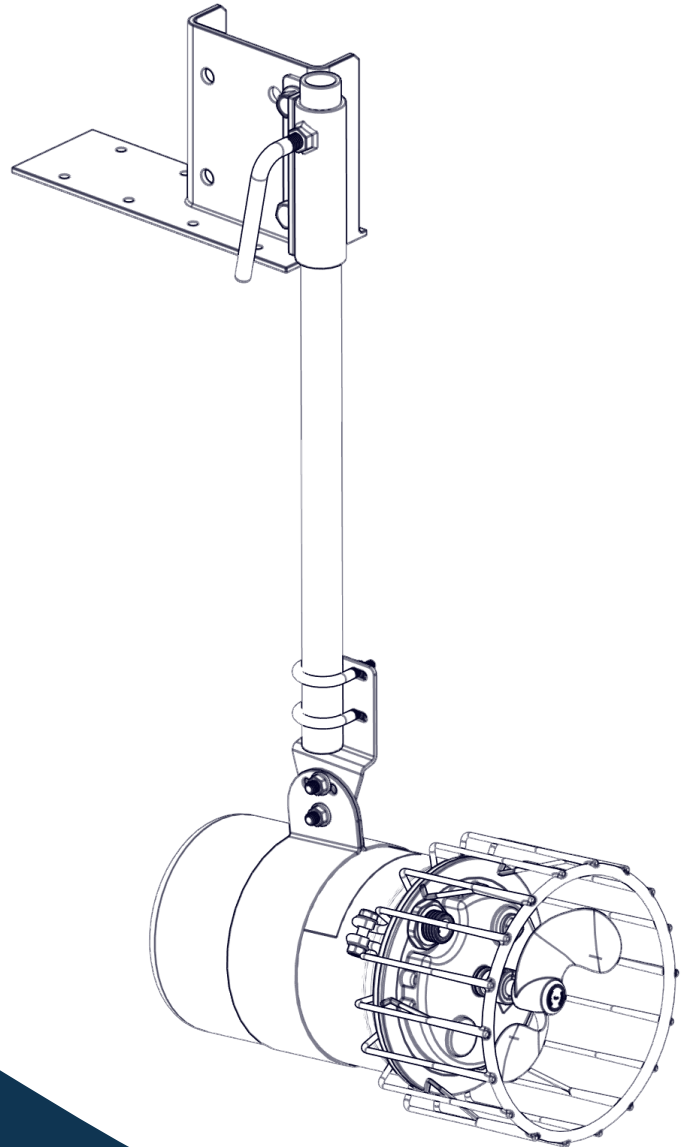




MOVING WATER FORWARD, SINCE 1968

# UNIVERSAL MOUNT

Kit 243485



## Assembly Manual



3020379  
ANSI/UL 778: 2016  
Ed.6+R:22Feb2017  
CSA C22.2 #108: 2014 Ed.5

# TABLE OF CONTENTS

Suggested Tools & Supplies .....	1
Parts Included .....	2
Mounting Options.....	3
Mount Assembly Instructions .....	4
Adjustments and Storage .....	7

## SUGGESTED TOOLS & SUPPLIES

- 1" (schedule 40 minimum) galvanized or stainless steel (1-5/16" outer diameter) pipe. Max 10' long. NOT INCLUDED.
- Eight 5/16" lag screws or bolts for mounting base (optional U-Bolt Kit available: P/N 997108K)
- 3/4" wrench
- 3/4" socket wrench
- 9/16" socket wrench
- 9/16" wrench

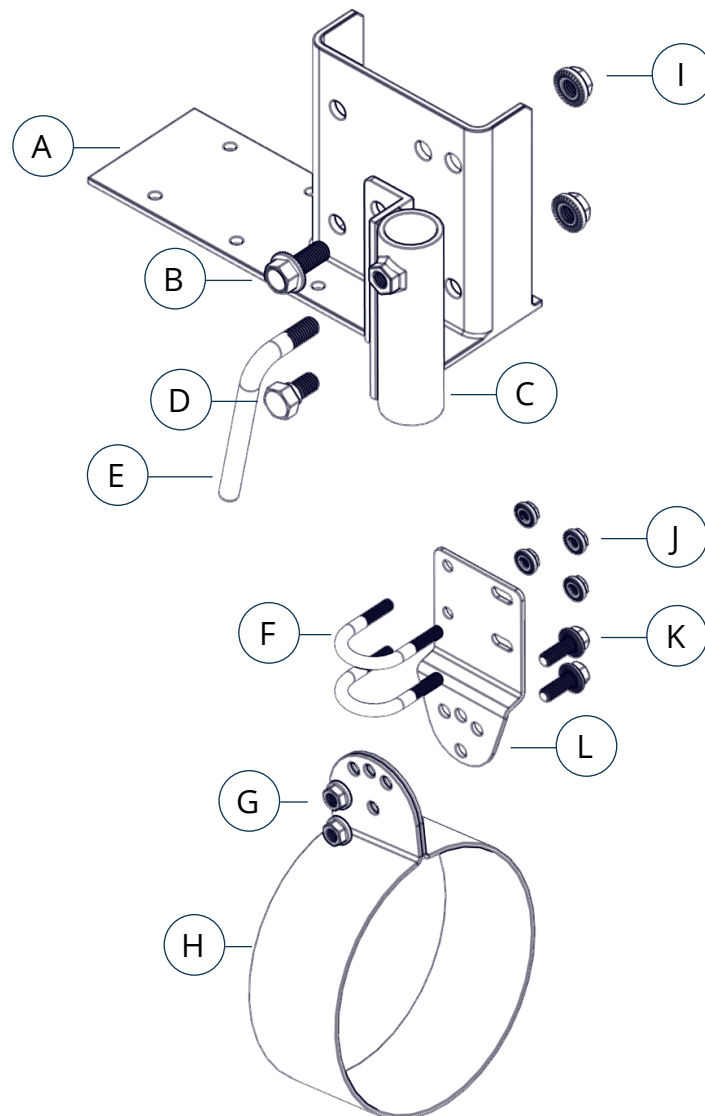


Installation may require the help of another person.

Installation may vary; the user is to supply the appropriate hardware to secure the mounting bracket to the dock or piling. Kasco suggests stainless steel.

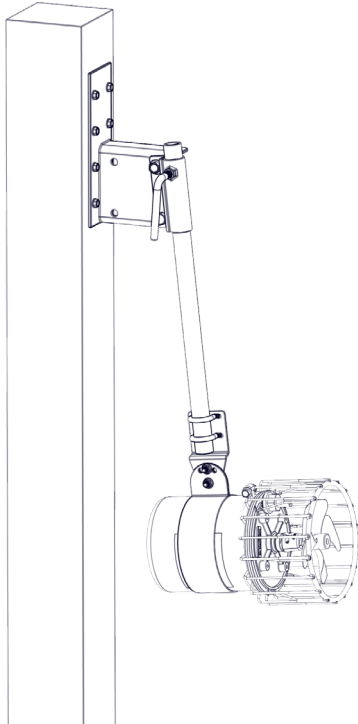
# PARTS INCLUDED

ID	Description	Qty	Part #
A	Base	1	997102
B	1/2"-13 x 1-1/4" serrated flange screw	1	840531
C	Pipe bracket, 1"	1	997112
D	Shoulder bolt	1	451114
E	Lock handle	1	997170
F	U-bolt, 1"	2	997104
G	3/8"-16 serrated flange lock nut	2	840532
H	Can strap	1	997174
I	1/2"-13 serrated flange nut	2	840530
J	5/16"-18 serrated flange lock nut	4	840534
K	3/8"-16 x 1" serrated flange screw	2	840533
L	Strut plate	1	997178

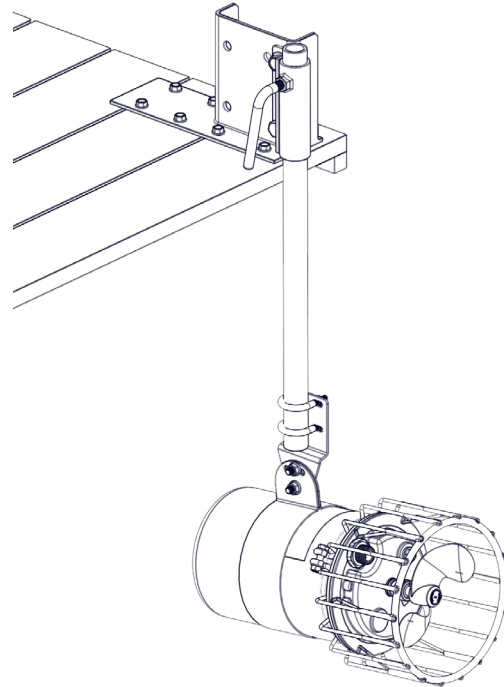


# MOUNTING OPTIONS

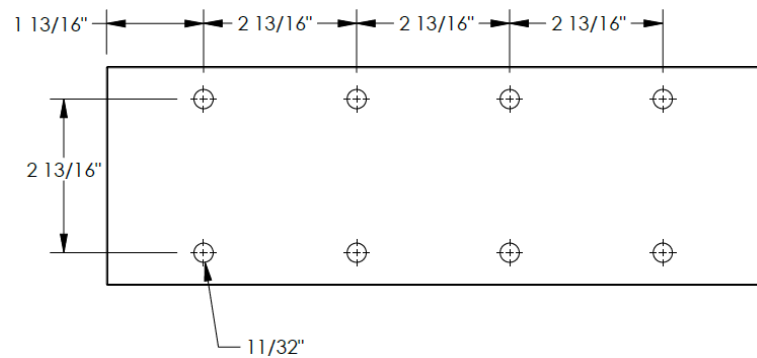
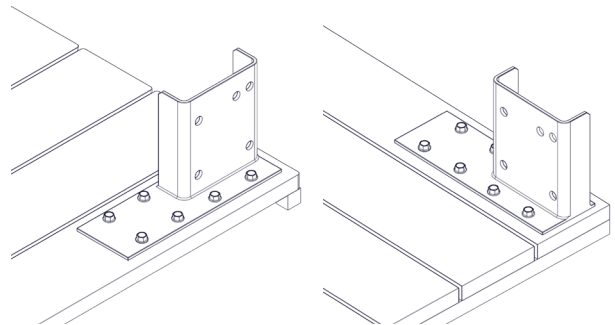
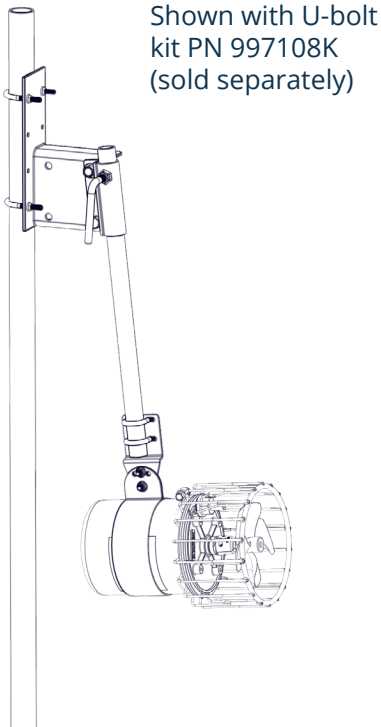
Pier Mount



Dock Mount



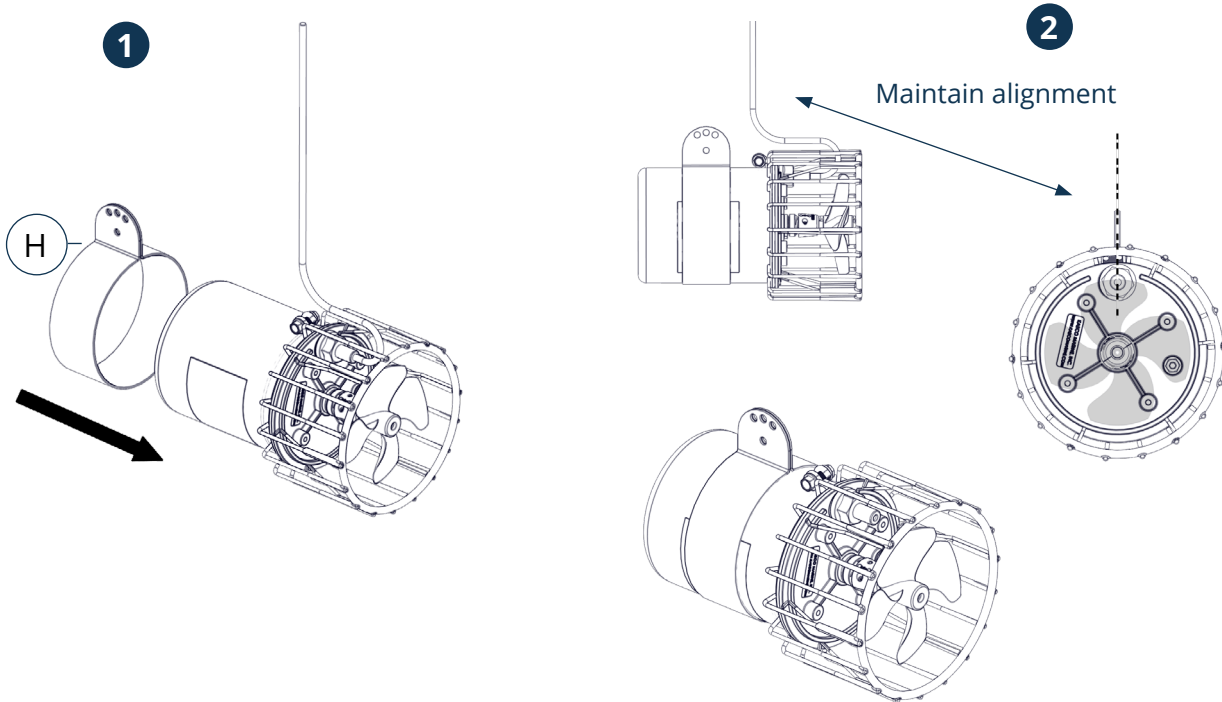
Pipe Mount



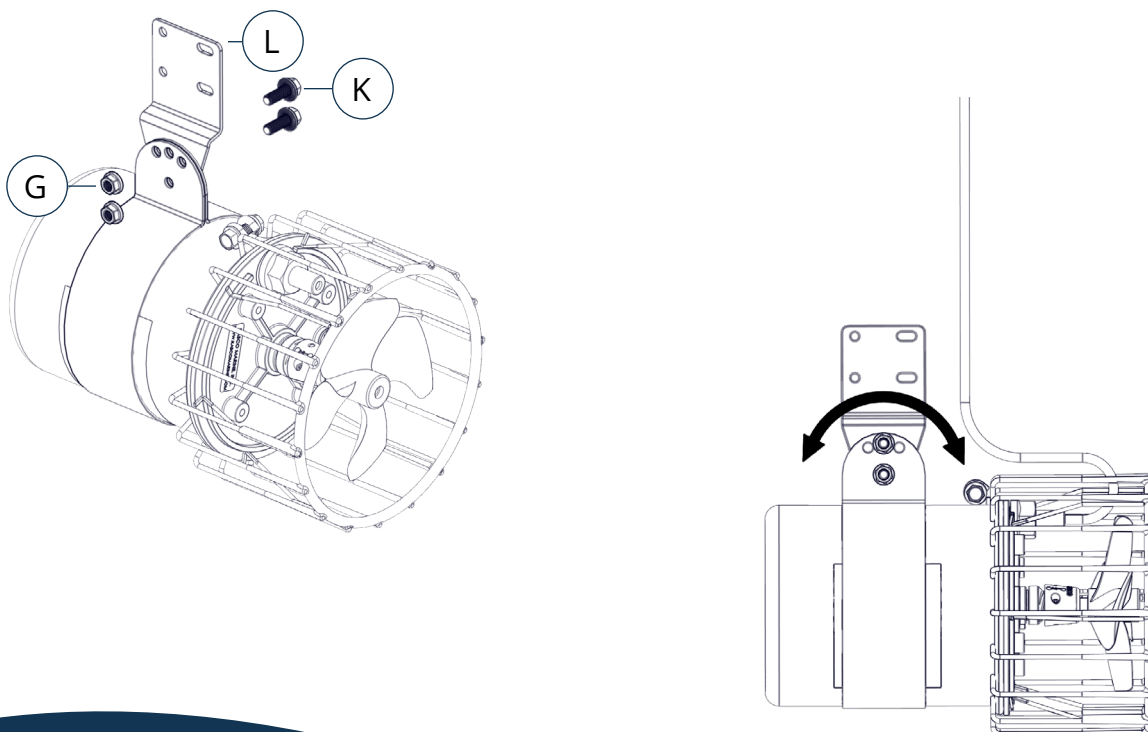
Base (A) hole location dimensions

# MOUNT ASSEMBLY INSTRUCTIONS

1. Slide the can strap (H) into position on the unit as shown below.
2. Position with a 1-1/2" distance from unit cage, ensuring the cord is in line with the can strap flanges.

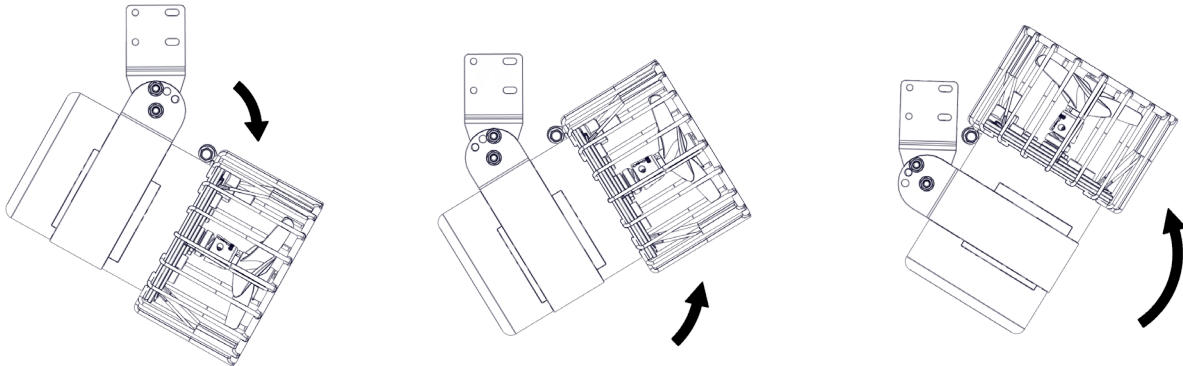


3. Secure the can strap to the strut (L) with two 3/8" x 1" serrated flange screws (K) and two 3/8" serrated nuts (G). Ensure the can strap flanges are not split by the strut.

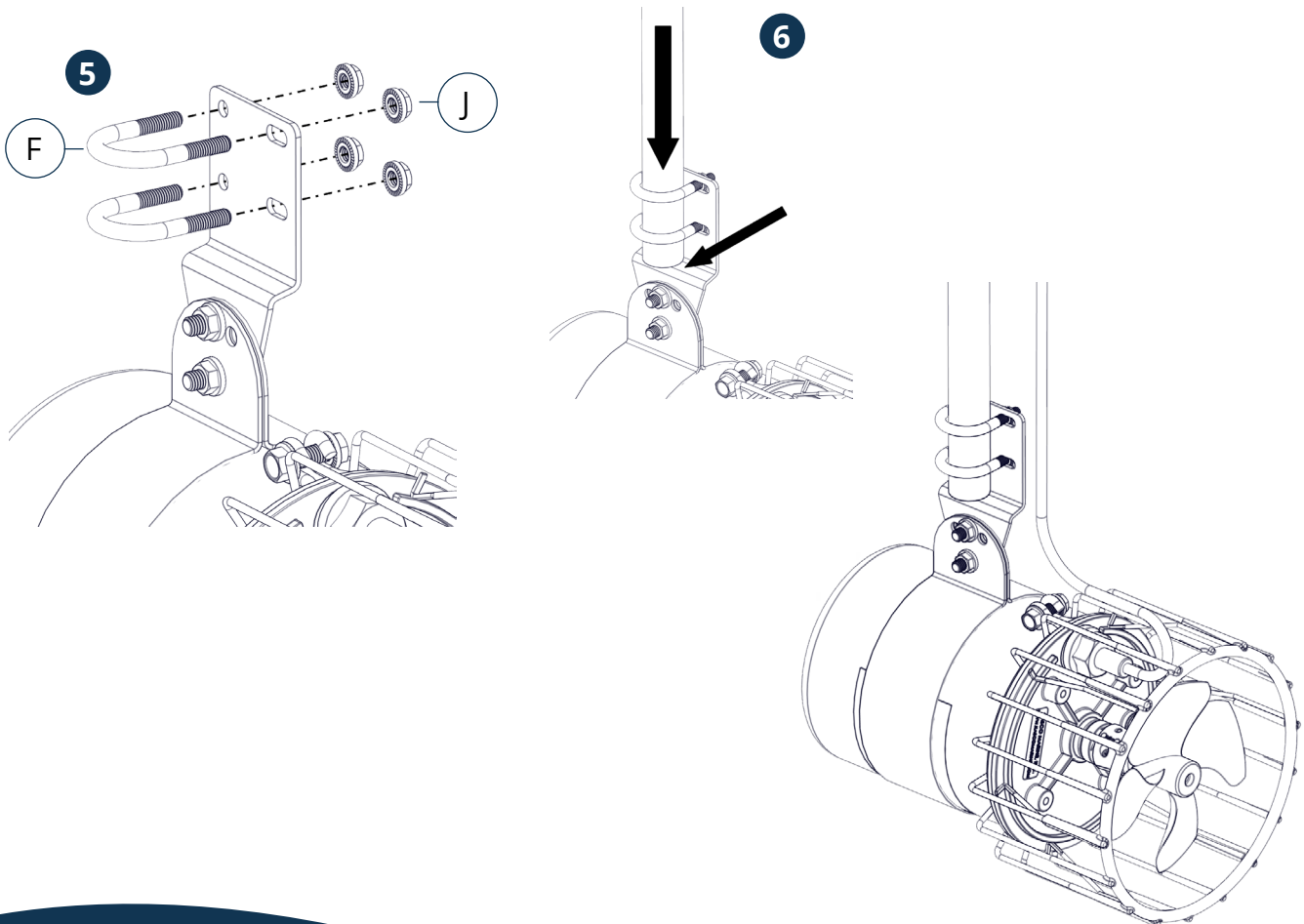


# MOUNT ASSEMBLY INSTRUCTIONS (CONT.)

- Multiple positions for mounting the unit are possible; after assembly of the mount, it may be necessary to adjust the unit to the most ideal orientation. A few examples are shown.

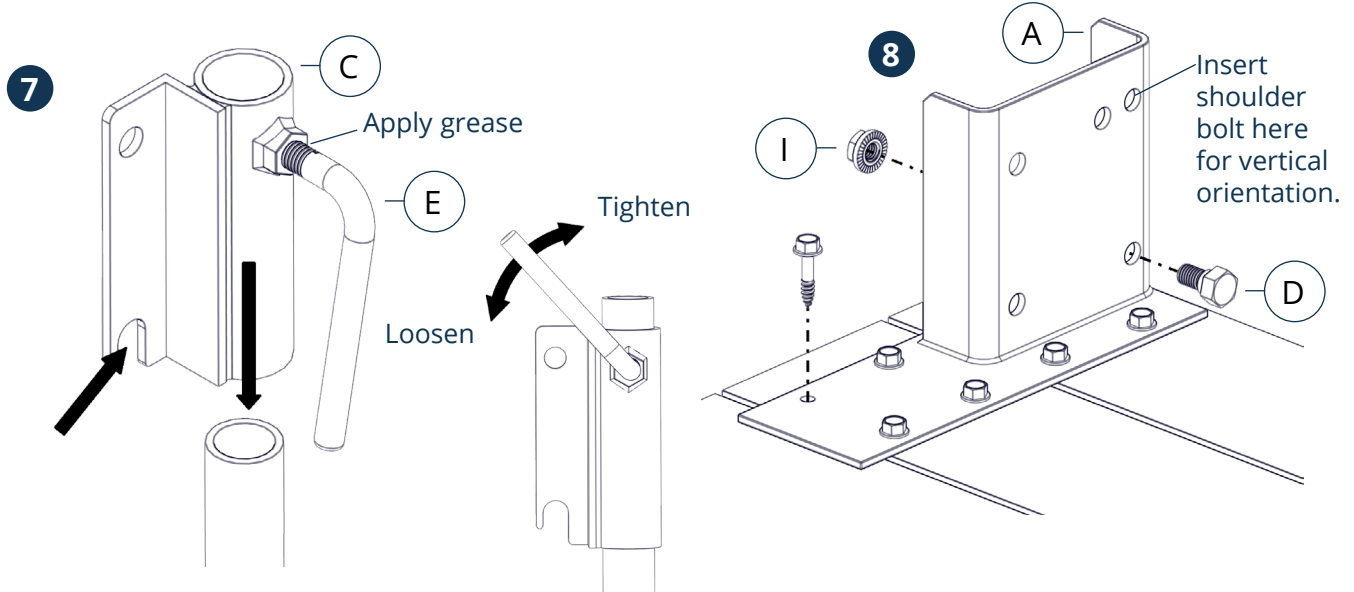


- Place the U-bolts (F) through the holes on the strut and start the 5/16" serrated nuts (J) on the threads before inserting the pipe.
- Insert the pipe, then fully tighten all the U-bolt hardware, ensuring that the pipe bottoms out on the strut plate.

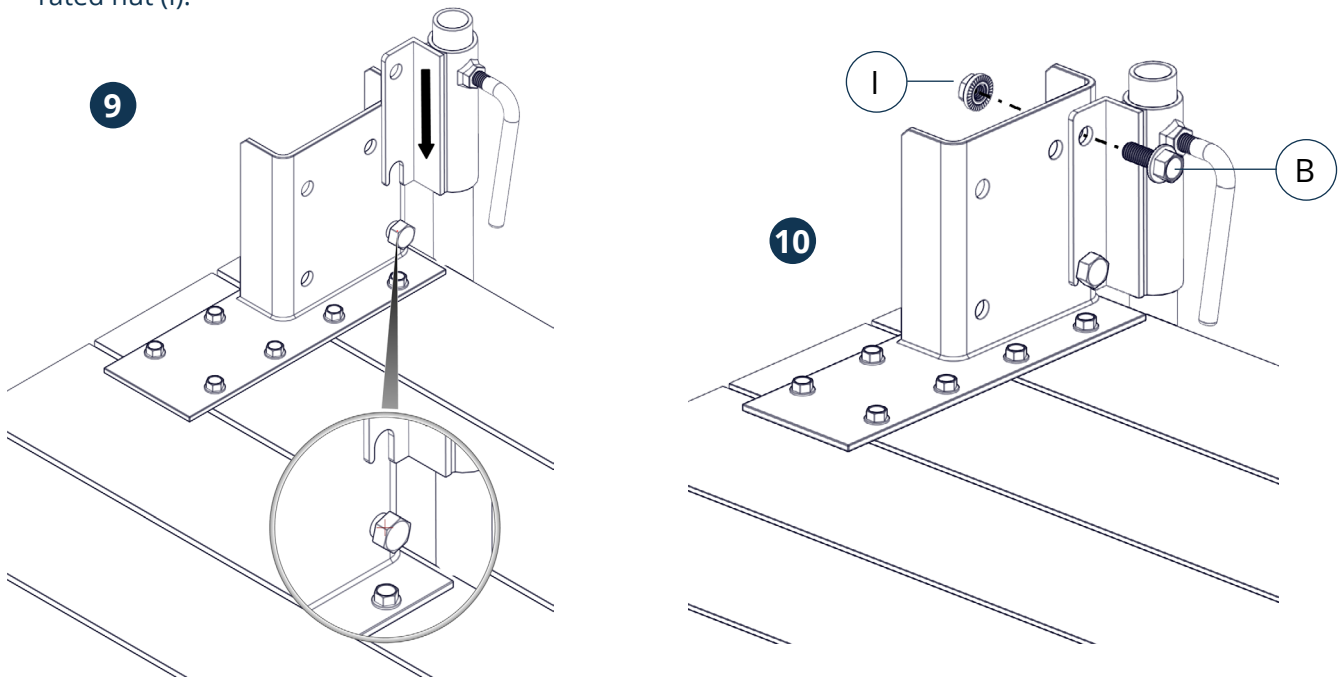


# MOUNT ASSEMBLY INSTRUCTIONS (CONT.)

- Slide the pipe bracket (C) over the pipe. Ensure that the notched end of the bracket is toward the unit end of the pipe. To prevent galling, apply a small amount of grease (packet included) to the lock handle (E) before tightening. Secure the bracket to the pipe by tightening the lock handle.
- Secure the base mount (A) in the manner appropriate to your intended mounting method. (U-bolts, screws, etc., NOT included.) Insert the shoulder bolt (D) and corresponding 1/2"-13 serrated nut (I) to the bottom hole location in the base as shown below.

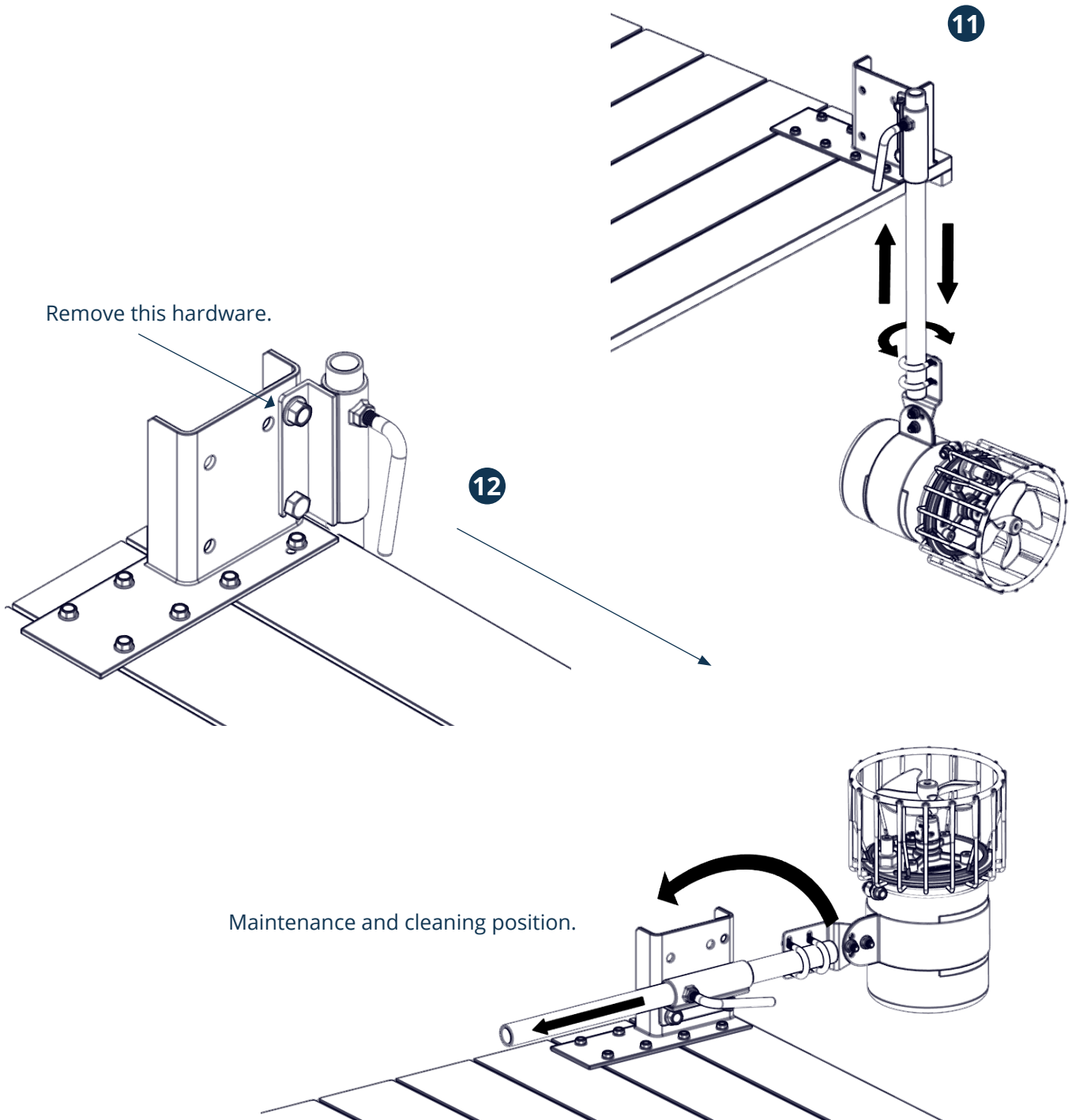


- This step may require additional help. Once the hardware has been installed, lift the assembly into position, align the slot of the pipe bracket with the shoulder bolt, and lower the unit until it rests on the shoulder bolt.
- Install the 1/2" x 1-1/4" serrated flange screw (B) in the top position hole and secure it with 1/2"-13 serrated nut (I).



# ADJUSTMENTS AND STORAGE

11. The unit can be adjusted up or down or swiveled left or right, depending on the installation and as needed for maintenance and storage.
12. If you install the upper mount assembly horizontally (as pictured below), the unit can be pivoted up and out of the water for storage or unit maintenance by removing the top 1/2" x 1-1/4" hardware and pivoting the unit 90 degrees. For vertical or horizontal installations, the unit can be removed entirely from the mount by lifting the bracket off of the shoulder bolt.



Discover other anchors & docking on our website.