

KM

*Coaxial Speakers
Owner's Manual*

KM4 | KM65 | KM8

IMPORTANT SAFETY WARNING

Prolonged continuous operation of an amplifier, speaker, or subwoofer in a distorted, clipped or over-powered manner can cause your audio system to overheat, possibly catching fire and resulting in serious damage to your components and/or vehicle. Amplifiers require up to 4 inches (10cm) open ventilation. Subwoofers should be mounted with at least 1 inch (2.5cm) clearance between the front of the speaker and any surface.

The KICKER KM coaxial speakers are specifically designed for mounting in free-air applications. The speakers do not require a sealed enclosure for optimum performance. It is important to isolate the sound coming off the front of the driver from the sound radiating from the back of the driver. This isolation is usually accomplished by using the driver in a factory speaker location, or in a location with a semi-isolated rear chamber.

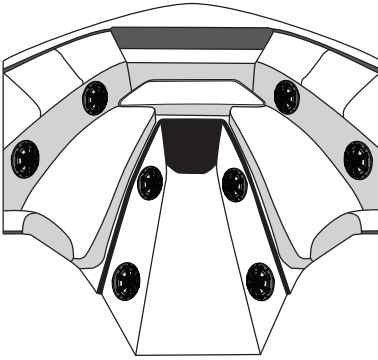
SPECIFICATIONS

Model:	KM4	KM65	KM8
Woofer [in, mm]	4, 100	6-1/2, 165	8, 200
Tweeter [in,mm]	1/2, 13	3/4, 20	1, 25
Rated Impedance [Ω]	2, 4	4	4
Peak Power Handling [Watts]	150	195	300
Continuous Power Handling [Watts RMS]	50	65	150
Sensitivity [1W, 1m]	89	90	92
Frequency Response [Hz]	60-20k	35-21k	30-21k
Mounting Hole Diameter [in, mm]	3-3/4, 94	5-1/16, 128	6-9/16, 170
Mounting Depth [in, mm]	1-13/16, 46	2-3/8, 59.9	3-5/16, 82.9
Grilles	Yes	Yes	Yes
Tweeter Magnet Material	Neodymium	Neodymium	Neodymium
Tweeter Dome Material	PEI (polyether imide)	PEI	PEI
Tweeter Design	Balanced Dome	Dome	Dome
Woofer Cone Material	Polypropylene	Polypropylene	Polypropylene
Woofer Surround Material	Santoprene	Santoprene	Santoprene

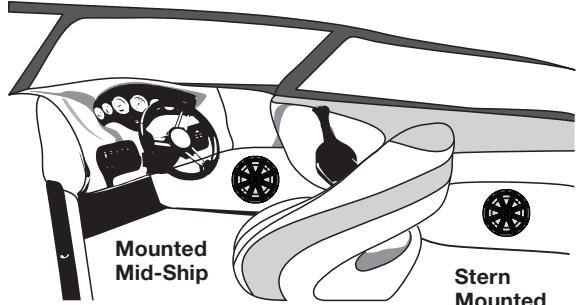
LOCATION

The sound produced by the KM coaxials is directional. Find the best location for stereophonic sound. If necessary, add more KM coaxial speakers to the system to help distribute and balance the sound-stage. After determining the best mounting locations, carefully check the areas where the mounting hardware will be placed.

Possible locations for KM Coaxial Speaker Mounting



Mounted in the Bow



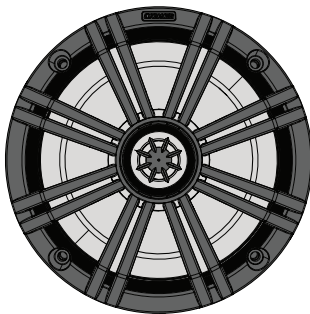
Mounted Mid-Ship

Stern Mounted

INSTALLATION

Mounting: Make sure the stainless steel mounting screws and U-type speed clips will not puncture the fuel cell, wiring, or interfere with any mechanical parts on the underside of the mounting surface. Pre-drill the mounting screw holes using a 7/64" (2.5mm) bit, and attach the KM coaxial speakers to the boat by fastening the supplied stainless steel coarse-threaded screws to the boat's structure. If applicable, use the enclosed stainless steel U-type speed clips. If the supplied hardware is not applicable to your installation, some other means of securely attaching the speakers to the boat must be used.

Wiring: Carefully place the speaker wire in a location that is clear of standing water and moving components of the boat. For reference, the Blue wire is Positive and the Grey wire is Negative. The locking terminal cover with water resistant gasket is removable for wiring installation; it helps prevent terminal corrosion and electrical shorting. Connect the gold-plated male quick-disconnect on the end of the 7 inch (175mm) speaker wire leads coming out of the sealed speaker basket to the wires from your amplifier or source unit. Place the connected wires into the locking terminal, making sure the divider separates the blue and silver wire quick disconnects, and snap the locking terminal cover into place. Connect the other end of the wire to your amplifier in accordance with its owner's manual. Mount the locking terminal cover in a location free and clear of standing water by utilizing the supplied zip ties through the integrated loops in the locking terminal cover.

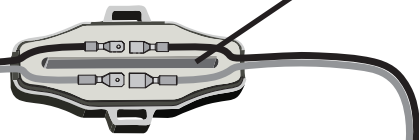


Mount the speaker and grille right side-up to take advantage of the coaxial system's integrated moisture draining system.

Locking Terminal Cover

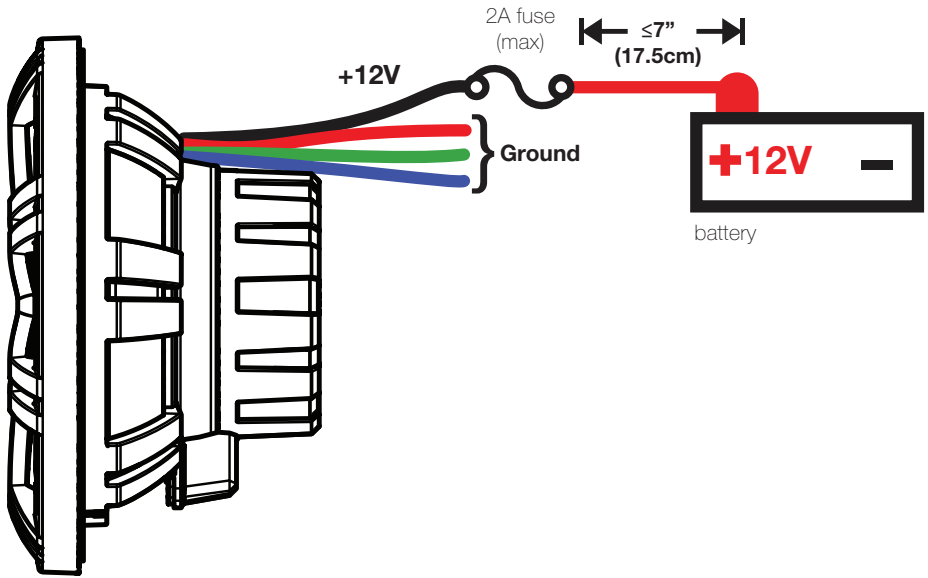


Wire Divider



Loops for mounting with Zip Ties

LED Wiring (KM65/KM8 only): When hard-wiring the RGB lighting, the black lead is +12V and the red, green, and blue leads are ground. There are seven colors available, depending on your wiring configuration. KICKER recommends using the KMLC lighting controller (sold separately) for more colors, patterns, and special effects.



Color Combinations: Splice and combine the ground wires to yield a different color.

Red	Red
Green	Green
Blue	Blue
Red/Green	Lime Green
Red/Blue	Magenta
Blue/Green	Aquamarine
Red/Green/Blue	Blue-White

Pro Tip: You are one KMA Amplifier and a few cables away from a complete, high-quality system with rock-solid bottom end as only available from KICKER! Please ask your dealer about KICKER KMA amplifier upgrades.