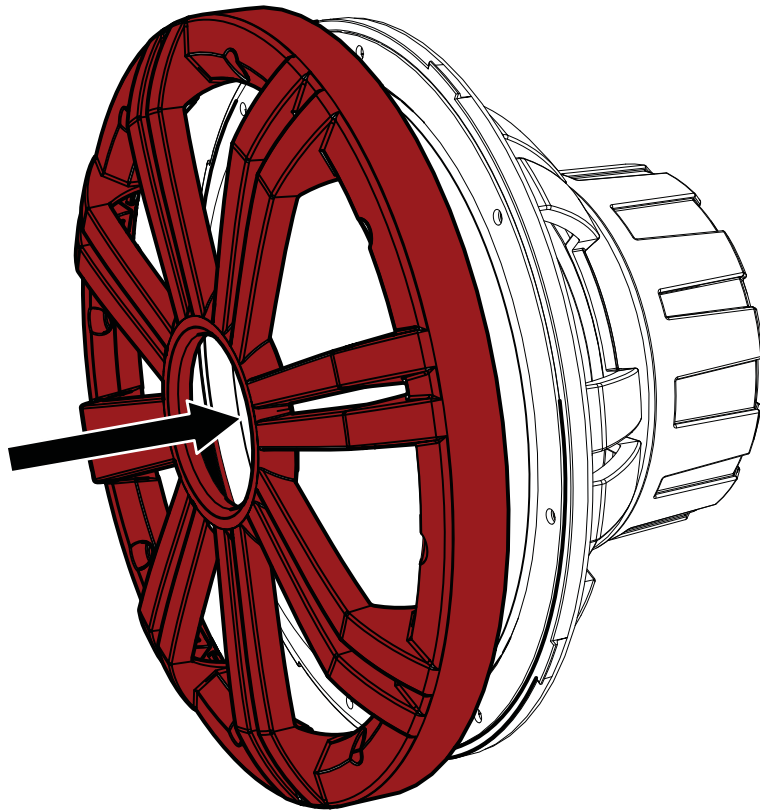


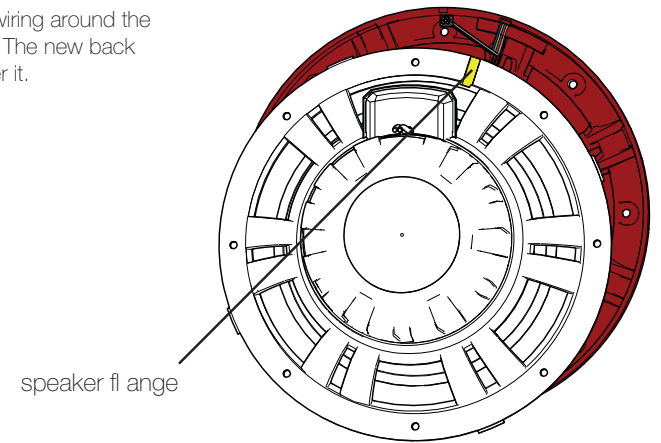
KICKER®

KM Grille

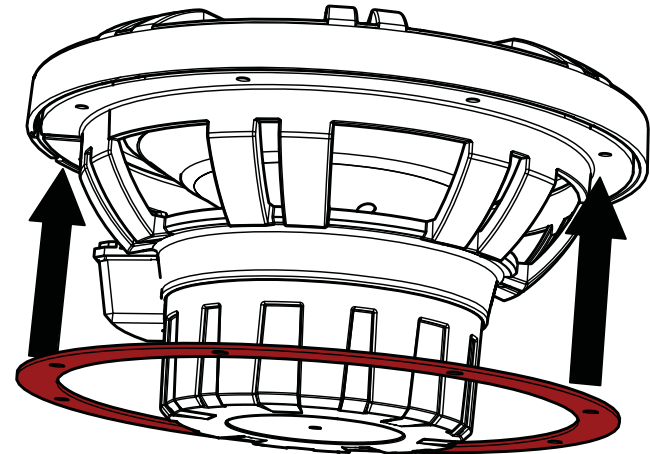
- 1** Attach the new grille to the speaker. The KM Grilles use a snap-on configuration. You may need to rotate the grille slightly in either direction to engage the teeth.



- 2** Wrap the LED wiring around the speaker flange. The new back gasket will cover it.

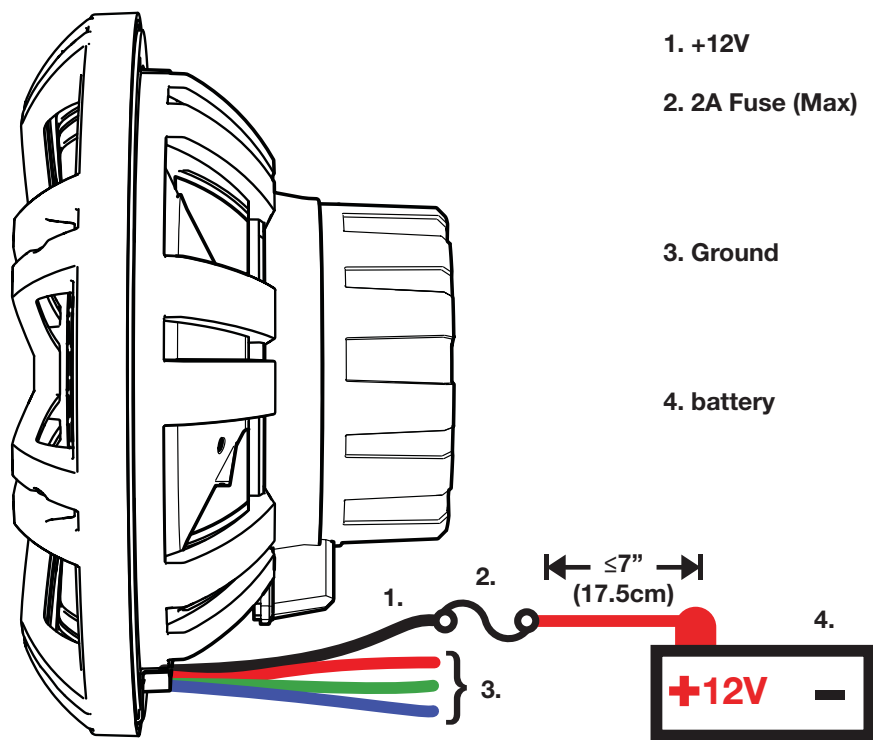


- 3** Peel off the protective film on the adhesive for the new back gasket and place it on the back of the speaker. This also helps cover and hold the wiring in place.



4

LED Wiring: When hard-wiring the RGB lighting, the black lead is +12V and the red, green, and blue leads are ground. There are seven colors available, depending on your wiring configuration. KICKER recommends using the KMLC lighting controller (sold separately) for more colors, patterns, and special effects.



Color Combinations: Splice and combine the ground wires to yield a different color.

Red	Red
Green	Green
Blue	Blue
Red/Green	Lime Green
Red/Blue	Aquamarine
Blue/Green	Blue-White
Red/Green/Blue	

Looking for dependable marine subwoofers? Rely on KICKER for quality and long-lasting products.