

KMTC

*Marine Tower System
Owner's Manual*

KMTC9 | KMTC11

MODEL: **KMTC9 | KMTC11**

The KICKER KMTC Marine Tower Systems are the perfect way to bring your music out into the marine or power sports environment. The KMTC9 and KMTC11 come loaded with KICKER KM LED speakers. The injection-molded ABS enclosures are UV treated, splash resistant, and weather resilient. Mount the KMTC Marine Tower Systems in your boat or get creative with a pair of them in the garage, on your 4x4 or Side-by-Side's roll bars, or in any other bar-mounted application.

Model:	KMTC9	KMTC11
Woofer [in, cm]	9, 23	11, 28
Horn Loaded Compression Driver [in,mm]	1, 25	1, 25
Compression Driver Voice Coil Dia. [in,mm]	1-3/8, 35	1-3/8, 35
Horn Exit	Tractrix	Tractrix
Dome Material	Titanium	Titanium
Rated Impedance [Ω]	4	4
Sensitivity [1W, 1m]	92 dB	93 dB
Frequency Response [Hz]	20-20,000	20-20,000
Peak Power Handling [Watts]	600	600
Continuous Power Handling [Watts RMS]	300	300
Enclosure Diameter/Width [in, cm]	9-13/16, 24.9	11-7/8, 30.2
Enclosure Depth [in, cm]	10-7/8, 27.7	12-11/16, 32.3
Enclosure Height (from bottom of roll bar) [in, cm]	11-9/16, 29.4	13-5/8, 34.6
Enclosure Height (bracket top to enclosure bottom) [in, cm]	13-9/16, 34.4	15-9/16, 39.6
High Pass [dB], at Frequency [Hz]	12db/oct, 2,500 Hz	12db/oct, 2,500 Hz

INSTALLATION

IMPORTANT: You **must** apply a thin layer of the included anti-seize compound to **ALL** threaded fasteners before installation.

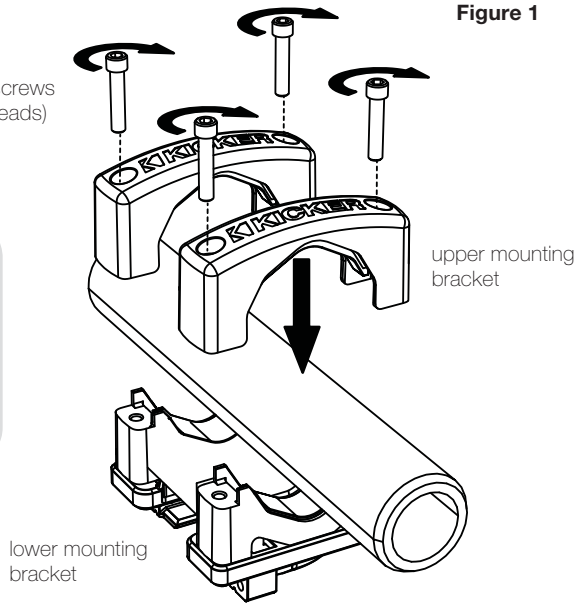
Before you begin: Determine the location and placement of the KMTC Marine Tower System onto the pipe or tube to which you are mounting. Spreading the KMTC Marine Tower System apart will provide better stereo performance, and is usually preferable. When determining the best locations for mounting, be careful to look for obstacles or obstructions that could complicate mounting the KMTC. Please keep in mind the routing of your speaker wires as this can affect where you finally mount your cans. If routing speaker wire through tubing, drill a 9/16" size hole in the bar for a wire grommet before mounting.

Step 1: Position the KMTC lower mounting brackets around the pipe or tubing to which you will be mounting, then use the included socket-head screws to secure the upper mounting brackets to the bracket assembly. Use the screw size best suited for your application. See Fig. 1.

Figure 1

stainless steel socket-head cap screws
(1/4" Allen wrench – 5/16"-18 threads)

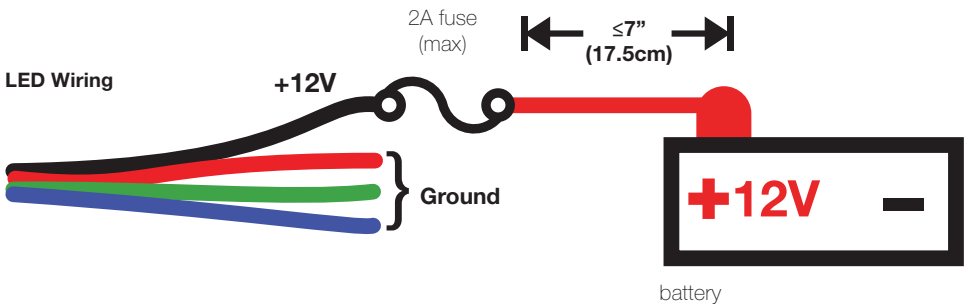
Bar Diameter	Bolt Length
1-1/2" to <1-3/4"	1-1/8"
1-3/4" to 2-1/4"	1-1/2"
<2-1/4" to <2-7/8"	2"
2-7/8" to <3"	2-1/2"
3" to 3-1/8"	3"



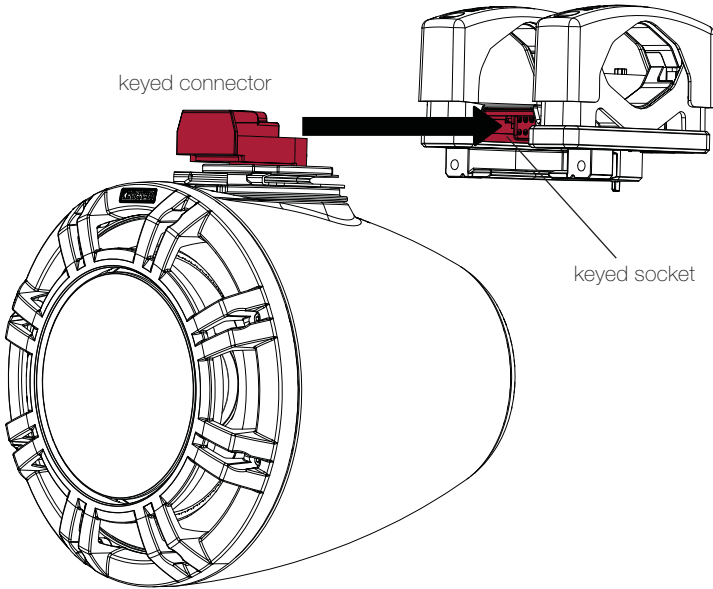
Step 2: Connect the speaker and tweeter wires to your source unit or amplifier. KICKER recommends you solder the connections and secure them with heat shrink.

When hard-wiring the RGB lighting, the black lead is +12V and the red, green, and blue leads are ground. Splice and combine the ground wires to yield a different color. There are seven colors available, depending on your wiring configuration. KICKER recommends using the KMLC lighting controller (sold separately) for more colors, patterns, and special effects.

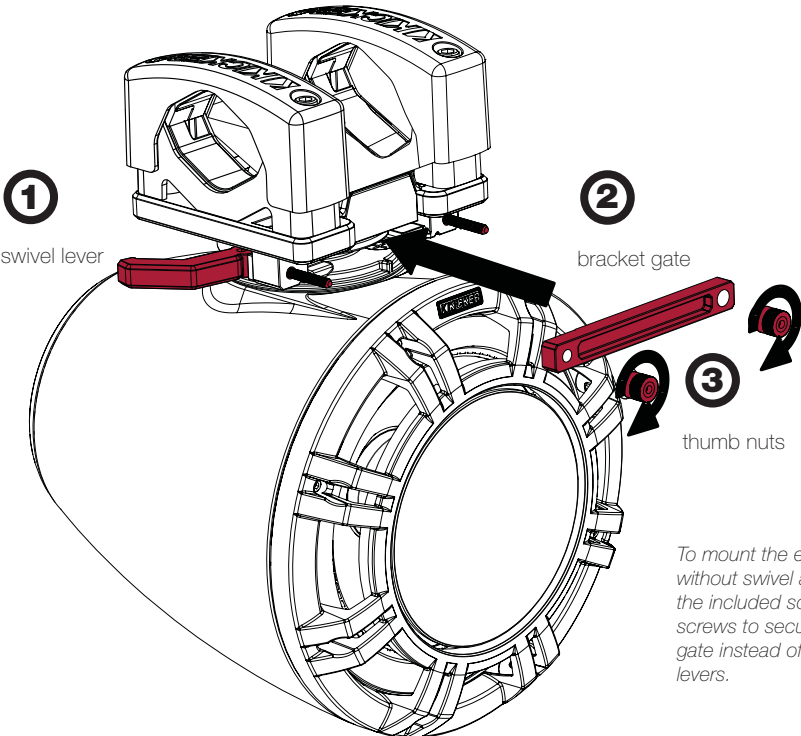
- Black : +12V Red : Ground Green : Ground Blue : Ground
- Transparent Blue : Speaker + Transparent Gray : Speaker -
- Copper : Horn Tweeter + Silver : Horn Tweeter -



Step 3: Install the keyed connector of the KMTC speaker's swivel assembly into the keyed socket of the bracket assembly. The front of the keyed connector should be flush with the keyed socket.



Step 4: Install the two swivel levers, adjusting them to be loose (open) when the lever is parallel to the tube, then secure the bracket gate to the enclosure using the included thumb nuts. When the swivel levers are locked in place, or closed, the bracket rotation assembly will be clamped tight. With the swivel levers open, finish by tightly securing both thumb nuts. You may need to retighten one after tightening the other.



To mount the enclosure without swivel adjustment, use the included socket-head cap screws to secure the bracket gate instead of the swivel levers.

Step 5: Ensure the enclosure is secure by increasing the tension of the swivel lever thumb nuts attached to the swivel levers. When the swivel levers are closed, the KMTC Marine Tower System should be locked in place. When open, you may adjust the orientation by swiveling the assembly left or right. When you are satisfied with the orientation, close the swivel levers to lock the enclosure in place. If the enclosure is not locked tightly enough, tighten the thumb nuts.

