

KMTC

*Loaded Marine Cans
Owner's Manual*

**KMTC65 | KMTDC65
KMTC8**

MODEL:

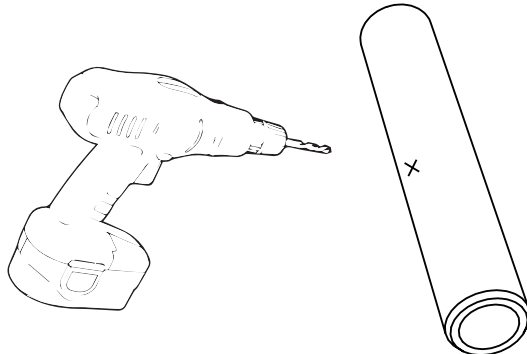
KMTC65 | KMTDC65 | KMTC8

The KICKER KMTC Loaded Marine Cans are the perfect way to bring your music out into the marine or power sports environment. The KMTC65 and KMTC8 come loaded with the KICKER KM65 and KM8 LED speakers. The injection-molded ABS enclosures are UV treated, splash resistant, and weather resilient. Mount the KMTC Loaded Marine Cans in your boat or get creative with a pair of them in the garage, on your 4x4 or Side-by-Side's roll bars, or in any other bar-mounted application.

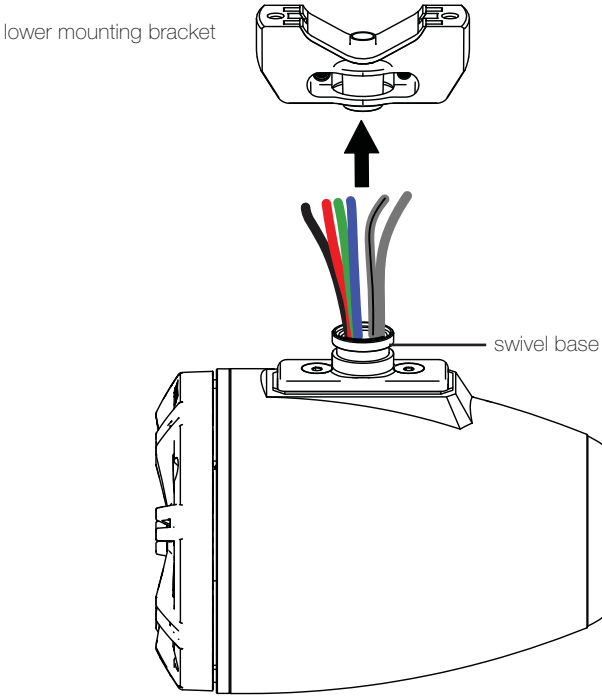
Model:	KMTC65	KMTDC65	KMTC8
Rated Impedance [Ω]	4	4	4
Sensitivity [1W, 1m]	90	93	92
Peak Power Handling [Watts]	195	390	300
Continuous Power Handling [Watts RMS]	65	130	150
Enclosure Diameter/Width [in, cm]	7, 17.8	14-1/16, 35.7	8-3/16, 20.8
Enclosure Depth [in, cm]	9-11/16, 24.6	9-11/16, 24.6	11-5/16, 28.7
Enclosure Height (from bottom of roll bar) [in, cm]	8-1/4, 21	8-1/4, 21	9-7/16, 24
Enclosure Height (bracket top to enclosure bottom) [in, cm]	10-1/4, 26	10-1/4, 26	11-1/2, 29.2

INSTALLATION

Step 1: Determine the location and placement of the KMTC cans onto the pipe or tube to which you are mounting. Spreading the KMTC Loaded Marine Cans apart will provide better stereo performance, and is usually preferable. When determining the best locations for mounting, be careful to look for obstacles or obstructions that could complicate mounting the KMTC. Please keep in mind the routing of your speaker wires as this can affect where you finally mount your cans. You will need to mark and drill a wire routing hole in the pipe 5/8" (16mm) in diameter. The placement of the hole must line up with the final position of the lower mounting bracket so that the wiring coming from the lower mounting bracket can be run through; ie the hole should be 90° from the direction the speakers will be aimed and in-line with the wiring coming from the lower mounting bracket. If the speakers will be level with the horizon, you should drill a hole directly in the bottom of the tube.

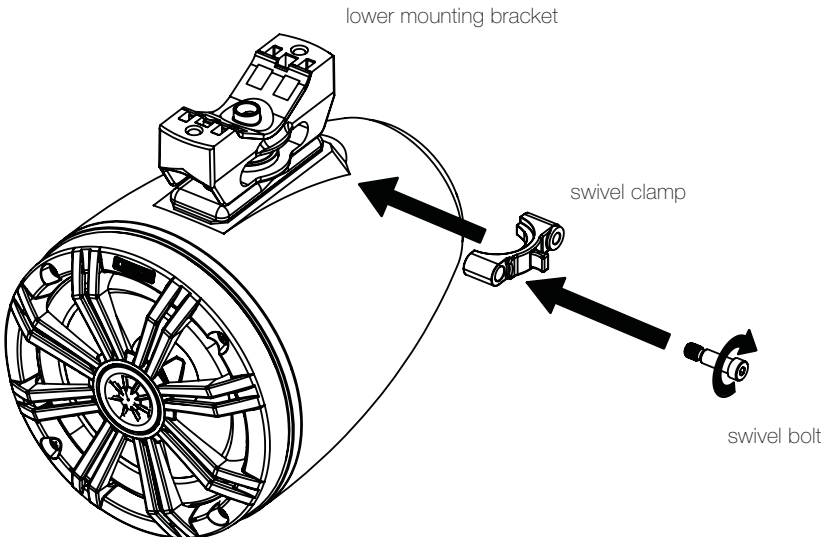


Step 2: Thread the speaker and LED wires through the bottom of the lower mounting bracket and out of the plastic liner hole in the center.

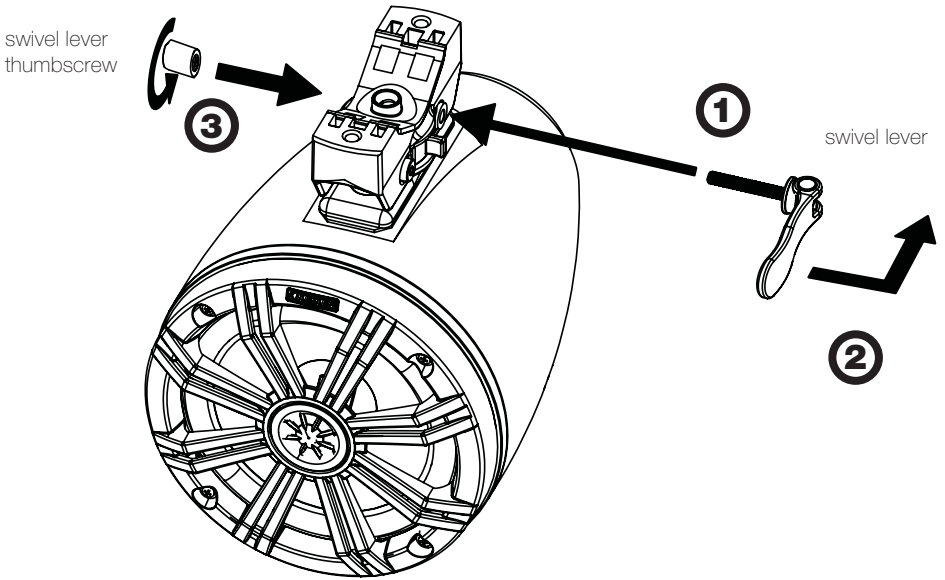


IMPORTANT: You must apply a thin layer of the included anti-seize compound to **ALL** threaded fasteners before installation.

Step 3: The mounting hardware design provides versatility in angular positioning to direct the speaker's output to the ideal listening position using the quick adjust swivel lever. With the lower mounting bracket in place, install the swivel clamp and tightly secure it using the included swivel bolt, making sure the clamp engages with the groove in the swivel base.



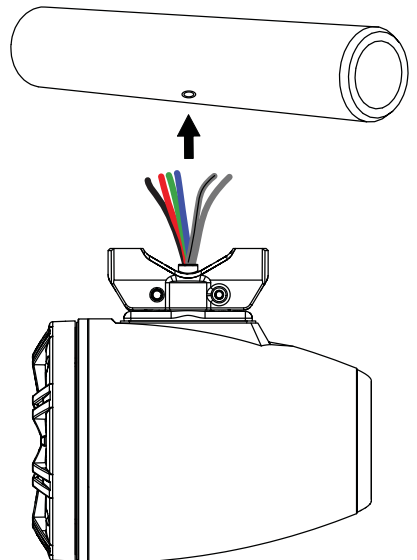
Step 4: Partially install the swivel lever, adjusting it to be loose (open) when the lever is parallel to the tube, then finish tightly securing the swivel lever to the enclosure using the included thumbscrew. When the swivel lever is locked in place, or closed, the bracket rotation assembly will be clamped tight.

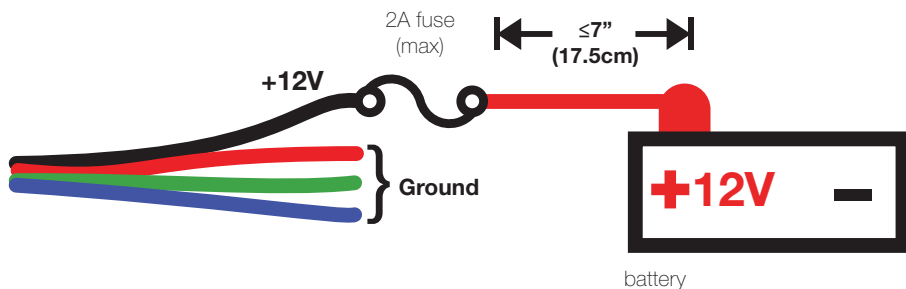


Step 5: Extend the speaker and LED wiring through the hole you have drilled and connect them to your source unit or amplifier. KICKER recommends you solder the connections and secure them with heat shrink.

When hard-wiring the RGB lighting, the black lead is +12V and the red, green, and blue leads are ground. Splice and combine the ground wires to yield a different color. There are seven colors available, depending on your wiring configuration. KICKER recommends using the KMLC lighting controller (sold separately) for more colors, patterns, and special effects.

Black : +12V
Red : Ground
Green : Ground
Blue : Ground
Transparent Blue : Speaker +
Transparent Gray : Speaker -





Step 6: Secure the enclosure to the tower tube with the upper and lower mounting brackets. With the wiring clearance hole you drilled and the wiring shroud on the lower mounting bracket lined up, position the enclosure assembly so that it is tightly against the tower tube. Once in position, install the upper mounting bracket using the included stainless steel socket-head cap screws. You will need to choose the appropriate length fastener based on the size of the tower tube to which you're mounting. Ensure the enclosure is secure by increasing the tension of the swivel lever thumbscrew attached to the swivel lever.

With the enclosure securely mounted, you may finish by opening the swivel lever and swiveling the assembly left or right. When you are satisfied with the orientation, close the swivel lever to lock the enclosure in place. If the enclosure is not locked tightly enough, tighten the thumbscrew.

