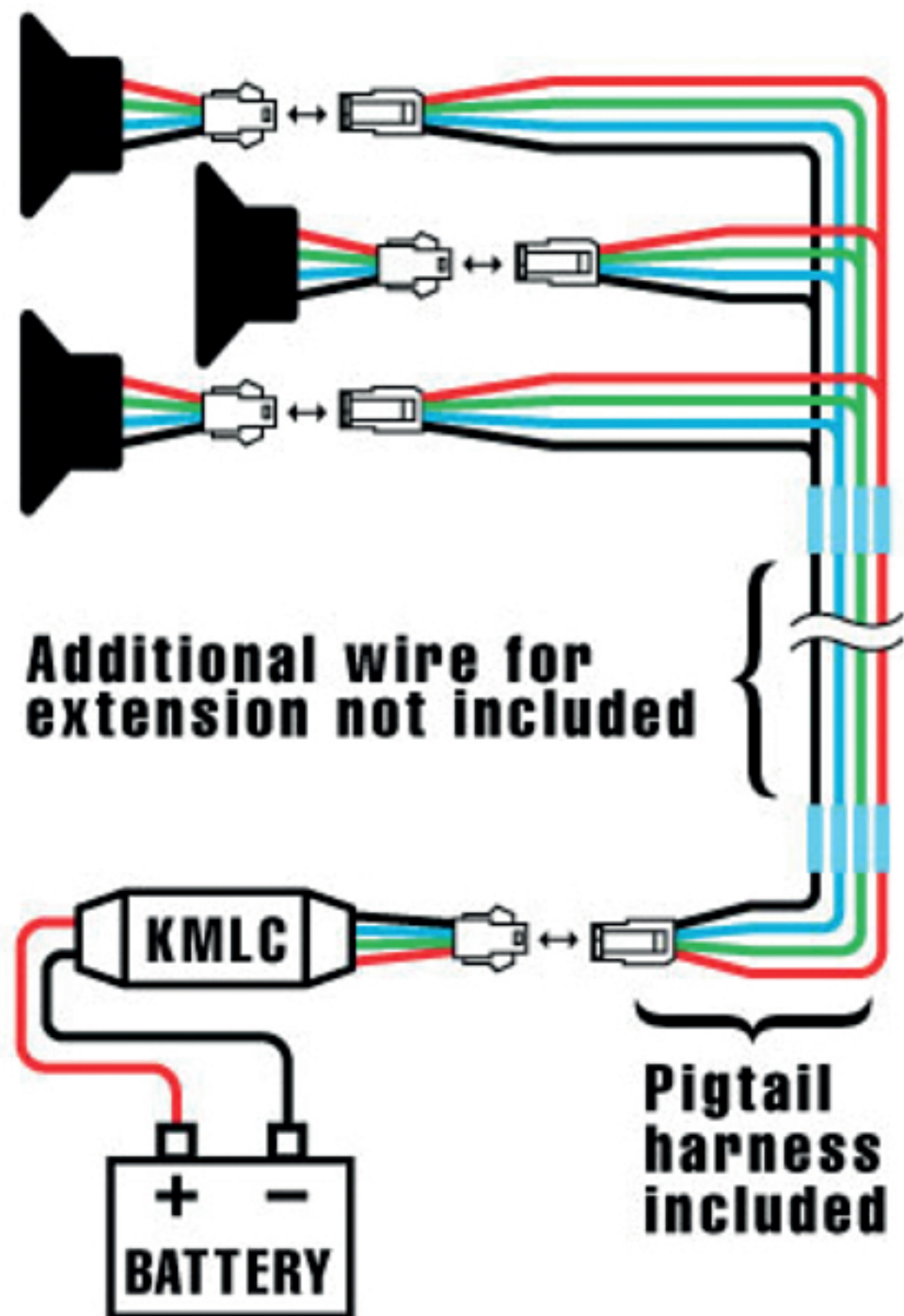


KMLC (Lighting Controller) Multiple LED Speaker Wiring



Wiring Multiple LED Speakers/Grilles

You can wire multiple speakers/grilles in parallel to be controlled by the KMLC by first splicing them together before going into the KMLC as shown in this diagram. You can connect up to 12 LED-lit speakers/grilles to one KMLC. For additional speakers/grilles, additional KMLCs will be required.