

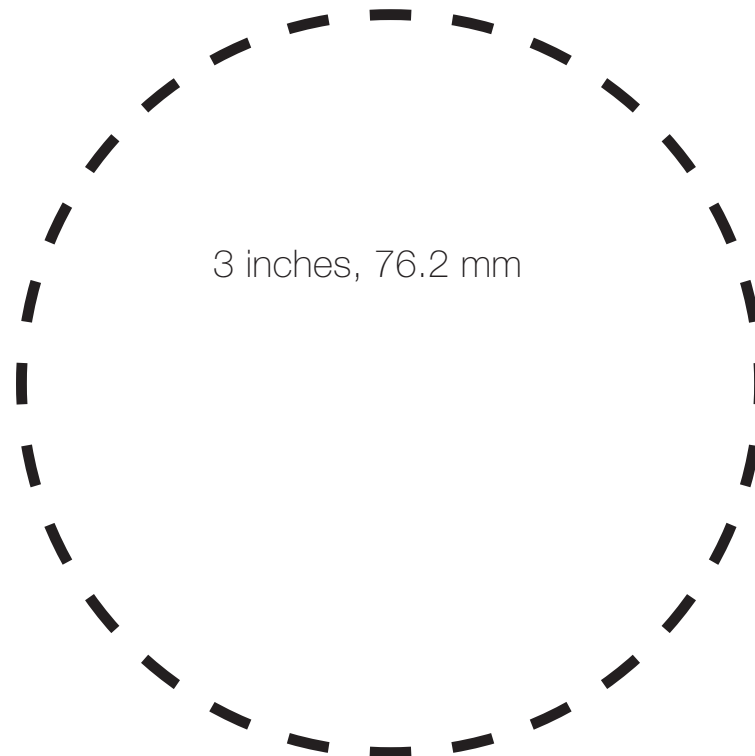
KICKER[®]

KMC5 | *Media Center*

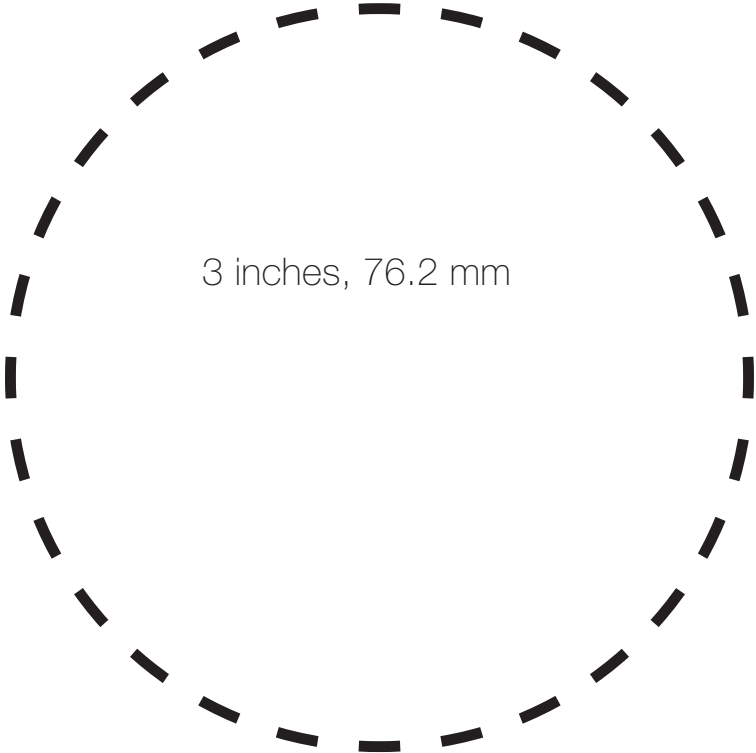
KMC5

Owner's Manual | English

mounting hole cutout template:
3 inches, 76.2 mm



mounting hole cutout template:
3 inches, 76.2 mm





KMC5 OWNER'S MANUAL

Contents

Specs	5
Overview	6
Installation	7
Operation	10
Troubleshooting	13

SPECIFICATIONS

<i>Model</i>	<i>KMC5</i>
Power Output @ 14.4V, 2Ω stereo, <10% THD+N	40W x 6
Power Output @ 14.4V, 4Ω stereo, <10% THD+N	25W x 6
Frequency Response [Hz]	20 – 20k
Signal-to-Noise Ratio [dB]	100
Pre-Amp Outputs	Front, Rear, Sub, Zone2
Input Sensitivity	Adjustable 500mV–1.5V
USB Playback	MP3/WMA/FLAC/WAV
USB Charging	DC 5V, 1A
USB Compatible File System	FAT32
IP Rating	IP66
Line-Out Level [V]	4
Outer Trim Dimensions[in, cm]	3.5 x 5.5, 8.89 x 13.97
Protrusion From Mounting Surface [in, cm]	1-5/16, 3.33
Total Mounting Depth [in, cm]	5, 12.7
Mounting Hole Diameter [in, cm]	3, 7.62

Authorized KICKER Dealer: _____

Purchase Date: _____

Serial Number: _____

Be careful not to drill into wiring or vehicle mechanisms. You are solely responsible for securely mounting the KMC5 Media Center. See page 2–3 for mounting hole cutout template.

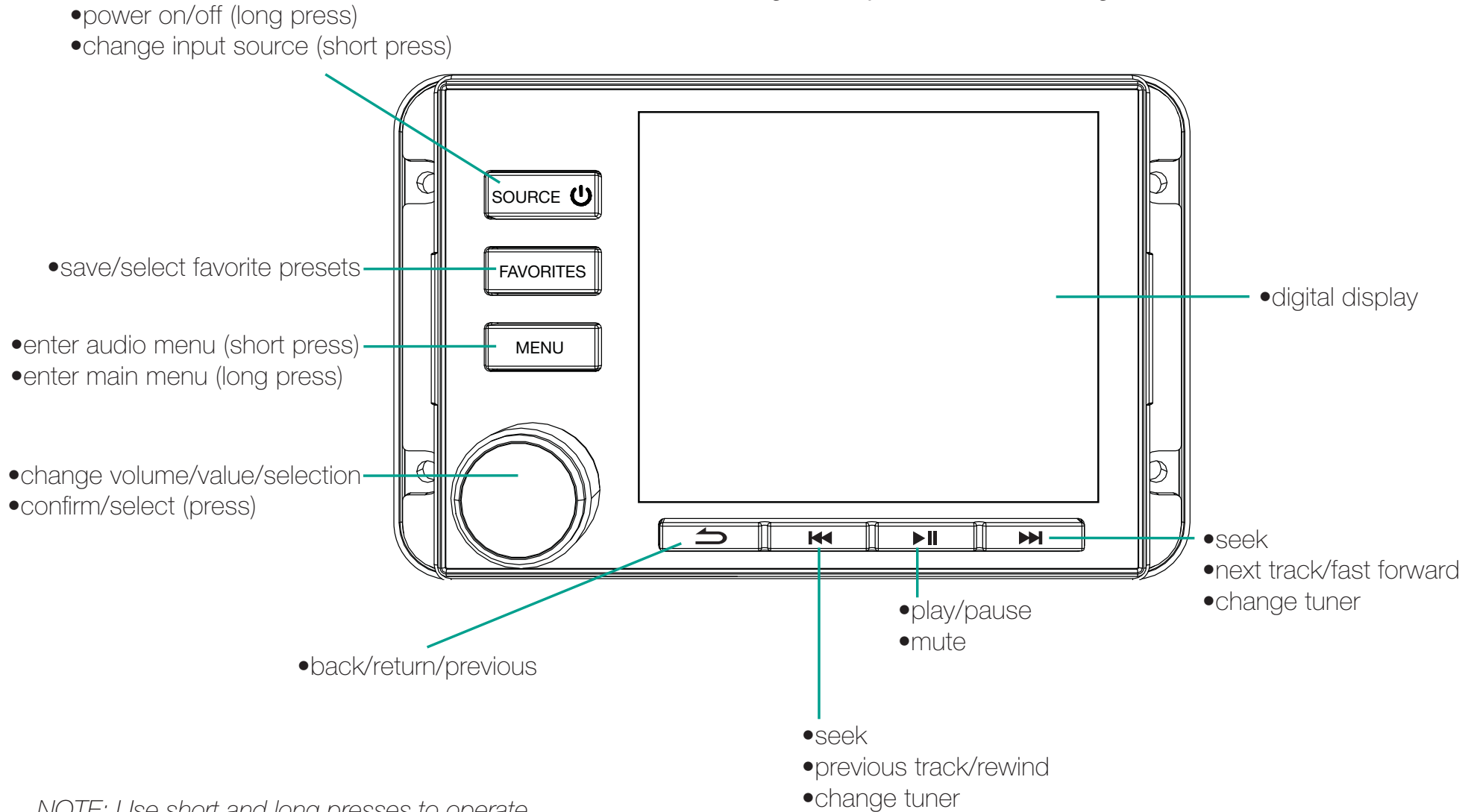
Before installation, you may wish to plan your placement of the USB and Auxiliary inputs, and the optional KRC12 and KRC15 remotes (sold separately), for both convenience and looks!

With a KICKER KXM amplifier, a pair of KICKER KM speakers, and a few KICKER cables, you're looking at a full system upgrade that will dominate! KICKER amplifiers and accessories make upgrading a snap. Ask your dealer about KICKER amplifiers and speaker upgrades to complete your system!

WARNING: KICKER products are capable of producing sound levels that can permanently damage your hearing! Turning up a system to a level that has audible distortion is more damaging to your ears than listening to an undistorted system at the same volume level. The threshold of pain is always an indicator that the sound level is too loud and may permanently damage your hearing. Please use common sense when controlling volume.

OVERVIEW

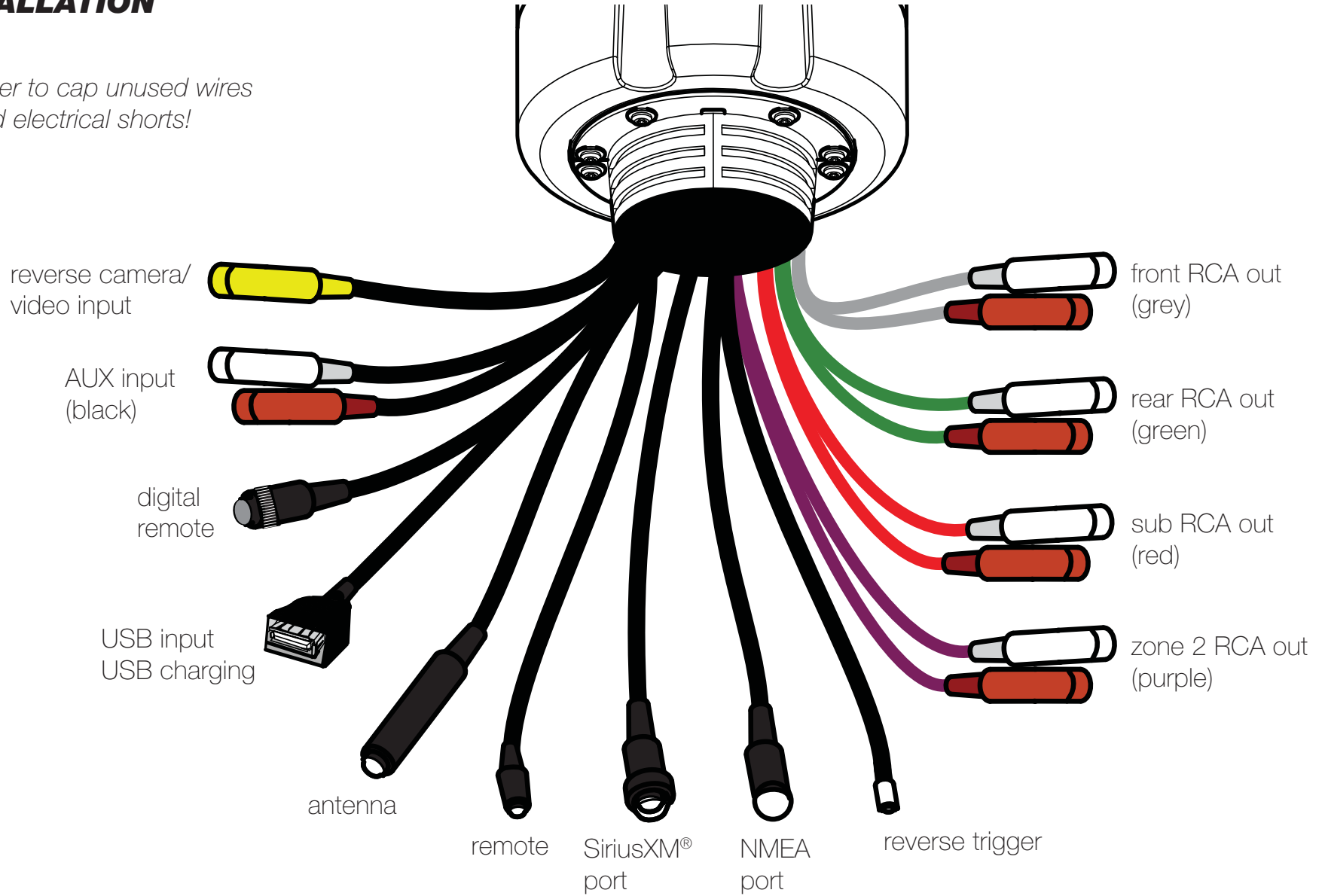
*If the battery voltage is low (<+10.5V), an on-screen warning will appear.
Recharge battery and avoid becoming stuck or marooned.*

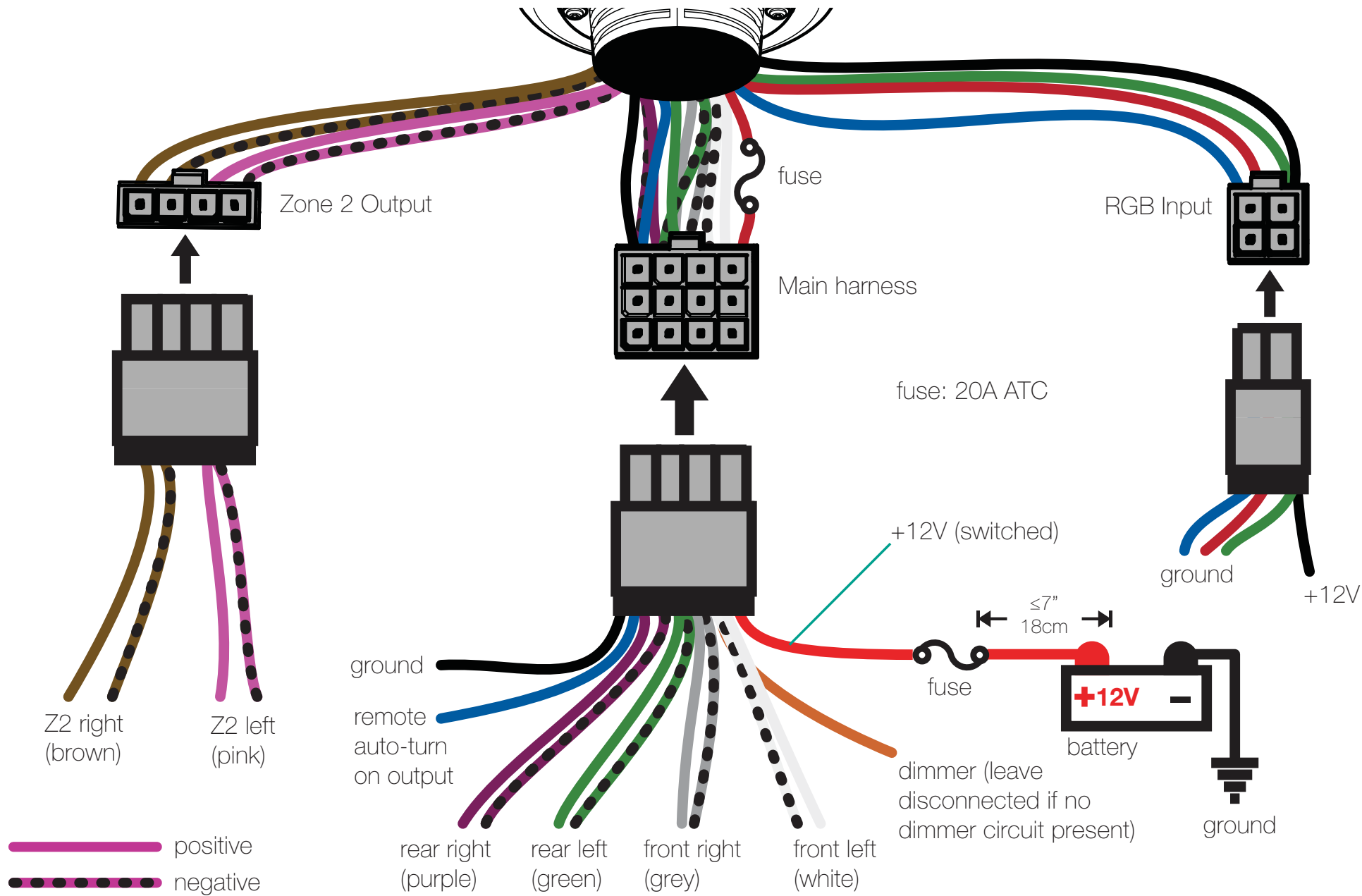


*NOTE: Use short and long presses to operate.
Some input sources do not support all functions.*

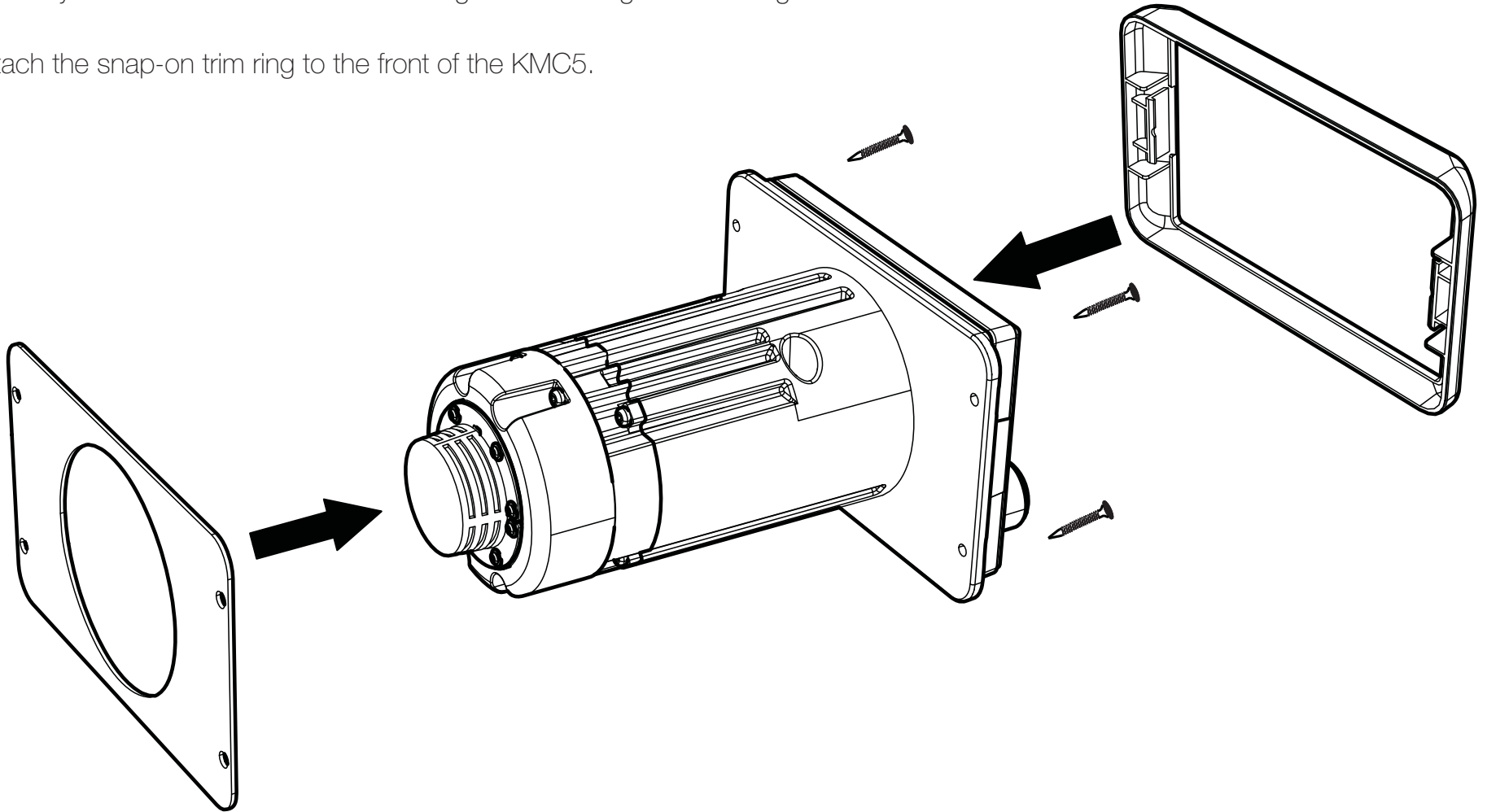
INSTALLATION

Remember to cap unused wires
and avoid electrical shorts!





- 1.** Remove adhesive from rear gasket and apply to the back of the KMC5.
- 2.** Securely fasten the KMC5 to the mounting surface using the including screws.
- 3.** Attach the snap-on trim ring to the front of the KMC5.



OPERATION

Playback

Use the **SOURCE** button to enter the source menu. Use the knob to choose the input source for the KMC5: Bluetooth, USB, AUX, AM, FM, WX, and SiriusXM.

The KMC5 will automatically enter Bluetooth pairing mode when there is no Bluetooth connection, with the display message “In Pairing Mode”. To enter pairing mode manually, choose Bluetooth input and then push the MENU button. This will enter the Bluetooth Menu. Select ENTER PAIRING MODE to begin pairing. When you begin scanning for devices on your audio device, the KMC5 will identify as “Media Center”. Bluetooth Menu options include:

Select Device - view all paired devices and select one for playback

Disconnect Current Device - disconnects current device and connects to the next device on the list

Delete Device - delete paired device from list

Delete All Devices - deletes all stored Bluetooth devices and enters pairing mode

When a radio tuner input is selected, press the seek buttons to search for radio stations with adequate signal strength. To tune stations manually, press and hold the seek buttons for 2 seconds, then press them once to change frequencies. Use the **MENU** button while in WX band to turn Auto-Alerts ON/OFF for Weatherband alert messages. This will interrupt playback for emergency alerts and messages.

Set favorite presets for your favorite AM, FM, XM, and WX stations by selecting the station, pressing the **FAVORITES** button, selecting the favorite number (1–16) you wish to set, and pressing and holding the **VOLUME KNOB** for 2 seconds.

The USB input source is only available when there is a USB device connected. The KMC5 will automatically switch to USB input when a USB device is connected and detected. KICKER recommends SANDISK drives for the best performance. Drives must be formatted in FAT32 file system. USB hubs are not compatible. High-bit rate files (320kbps) may experience errors. In testing, the KMC5 has been shown to work with some HDD's and other file systems, however, this is *not supported by KICKER!* USB Menu options include:

Browse - Browses all files and folders using the knob to scroll and select tracks.

Repeat - turn Repeat ON/OFF for the current playlist or all tracks

Shuffle - turn Shuffle ON/OFF for the current playlist or all tracks *DME - digital music enhancer will enhance the sound quality of compressed audio files.*

The camera and video input may be used to connect an external camera or video source to the KMC5. The reverse trigger wire (+12v) will automatically activate the camera when the vehicle is placed in reverse. To manually activate/deactivate the video input, press and hold the **FAVORITES** button.

Device Settings

Press the **MENU** button to enter the audio settings for a selected input source. Hold the **MENU** button for 2 seconds to enter the device settings menu. The available device settings are: Loud, Area, Beep, Zone2, Z2VOL, HPF, and Dimmer. Use the **VOLUME KNOB** to change the available values for each setting.

Loudness - select On or Off for a low frequency boost

Tuner - select USA or Europe

BEEP - select whether the KMC5 responds with beeps

Zone 2 - toggles Zone 2 volume control on/off

Zone 2 Control - Allows you to select which connection is controlled by the Zone 2 volume:

Internal Power: Zone 2 channels are controlled by Zone 2 volume. Zone 2 RCA is controlled by Zone 1 volume.

Preamp: Zone 2 RCA is controlled by the Zone 2 volume. Zone 2 internal channels are controlled by Zone 1 volume.

Both: Zone 2 channels and Zone 2 RCA are controlled by Zone 2 volume.

Z2VOL - change behavior of Zone 2 volume control:

Relative: Zone 2 volume is locked to main volume.

Absolute: Zone 2 volume is adjusted independently of main volume

Naming - Change the Zone 2 name: Zone 2, Tower, Transom, Cockpit, Interior

HPF - hi-pass crossover: OFF, 50Hz, 80Hz, 120Hz

Dimmer - adjusts screen and button brightness: 0–12

Day/Night - change color scheme from Day Mode to Night Mode. KMC5 will switch automatically when lights are turned on (orange illumination wire must be connected).

Low Battery Alert - turn the Low Battery Alert ON/OFF. When set to ON, the KMC5 will activate a visual and audio alert when the voltage drops below +10.5V, indicating the battery needs to be charged.

Audio Settings

Hold the **MENU** button for 2 seconds from a source screen to enter the audio settings menu. Press the MENU button to enter the audio settings. The available audio settings are: Bass, Treble, Balance, Fader, and EQ. Use the **VOLUME KNOB** to change the available values for each setting.

Sub - adjust the subwoofer level from 0--+12

Bass - adjust the bass level from -6--+6

Mid - adjust the mid level from -6--+6

Treble - adjust the treble level from -6--+6

Balance - adjust the balance from Left 6 to Right 6

Fader - adjust the fader from Front 6 to Rear 6

EQ - select between EQ presets: OFF, ROCK, POP, JAZZ and CUSTOM

When Custom EQ is selected, press the **MENU** button to enter custom frequency adjustments for 50Hz, 125Hz, 250Hz, 500Hz, 1kHz, 3kHz, and 8kHz. To manually adjust Bass, Mid, and Treble, EQ must be set to **OFF**.

SiriusXM

After installing your SiriusXM Connect Tuner and antenna, power on the KMC5 and select SiriusXM as the input source. Channel 1, the SiriusXM preview channel, should be audible. If it is not, please refer back to the installation instructions for your SiriusXM Connect Tuner. If the preview channel is working, tune to Channel 0 to find the Radio ID of your tuner, or locate the Radio ID on the bottom of the SiriusXM Connect Tuner.

When the KMC5 detects that the SiriusXM Connect Tuner has received activation, it will display "Subscription Updated". The activation process can take up to an hour to complete. The KMC5 must be powered on and receiving the SiriusXM signal to receive the activation message.

Press the **MENU** button while in SiriusXM input mode to enter the SiriusXM menu.

Channel Browse - browse SiriusXM channels

Category Browse - browse SiriusXM categories for relevant channels

Direct Tuning - manually enter SiriusXM channel

Parental Controls - remove access to some channels

Information - displays SiriusXM Radio ID

Reset - reset the KMC5's SiriusXM settings to factory defaults.

When choosing to enable Parental Controls for the first time, you will be prompted to enter a 4-digit passcode. (default is **0000**)

Manage Password - change/reset current passcode

Disable Parental Controls - remove all channel restrictions

TROUBLESHOOTING

SiriusXM

Check Antenna: The radio has detected a fault with the SiriusXM antenna. The antenna cable may be either disconnected or damaged.- Verify that the antenna cable is connected to the SiriusXM Connect Tuner.- Inspect the antenna cable for damage and kinks.

Check Tuner: The radio is having difficulty communicating with the SiriusXM Connect Tuner.- The tuner may be disconnected or damaged.- Verify that the SiriusXM Connect Tuner cable is securely connected to the radio.

No Signal: The SiriusXM Connect Tuner is having difficulty receiving the SiriusXM satellite signal.- Verify that your vehicle is outdoors with a clear view of the sky.- Verify that the SiriusXM antenna is mounted on the outside of the vehicle.- Move the SiriusXM antenna away from any obstructions.- Inspect the antenna cable for damage and kinks.- Consult the SiriusXM Connect Tuner installation manual for more information on antenna installation. Replace the antenna if the cable is damaged.

Channel Not Available: The channel you have requested is not a valid SiriusXM channel or the channel that you were listening to is no longer available. You may also see this message briefly when first connecting a new SiriusXM Connect Tuner.

Channel Not Subscribed: The channel that you have requested is not included in your SiriusXM subscription package or the channel that you were listening to is no longer included in your SiriusXM subscription package.

Channel Locked: The channel that you have requested is Locked by the radio Parental Control feature. See page 10 for more information on the Parental Control feature and how to access locked channels. Default Passcode is 0000.

If your KMC5 does not appear to be working, check the obvious things first such as blown fuses, poor or incorrect wiring connections etc. If you're using an amplifier, check for incorrect setting of crossover switches and gain controls etc.

No Power? ❶ Press the SOURCE/POWER button and make sure the KMC5 is turned on. ❷ Check the +12V power wire, ground wire, and fuse(s) for power and proper connection.

No or low output? ❶ Check the balance/fader controls on the KMC5. ❷ Check the speaker output connections. ❸ Power cycle the KMC5. ❹ Check the volume of the audio source.

Reduced volume? Reverse a speaker connection from positive to negative on the stereo channel(s); if the volume improves, the speaker was out of phase.

Buttons/Device Unresponsive? Perform Factory reset.

Factory reset: Reset the KMC5 to factory default settings by pressing and holding the **PLAY/PAUSE** button for ten seconds.

Radio stations not being received? Check the antenna for proper connection and ensure the **Tuner** setting in the menu is set to the correct region.

If you have more questions about the installation or operation of your new KICKER product, see the Authorized KICKER Dealer where you made your purchase.