

**KMFC**

*Loaded Marine Cans  
Owner's Manual*

**KMFC65 | KMFC8**

**MODEL: KMFC65 | KMFC8**

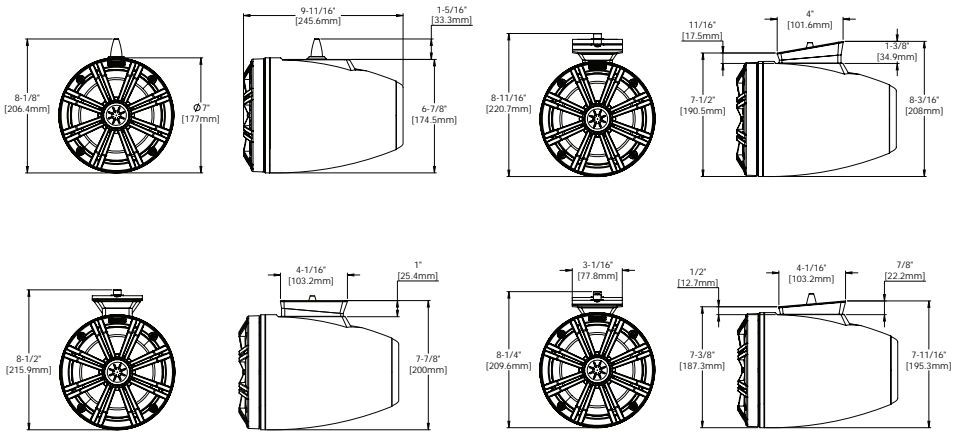
Authorized KICKER Dealer: \_\_\_\_\_

Purchase Date: \_\_\_\_\_

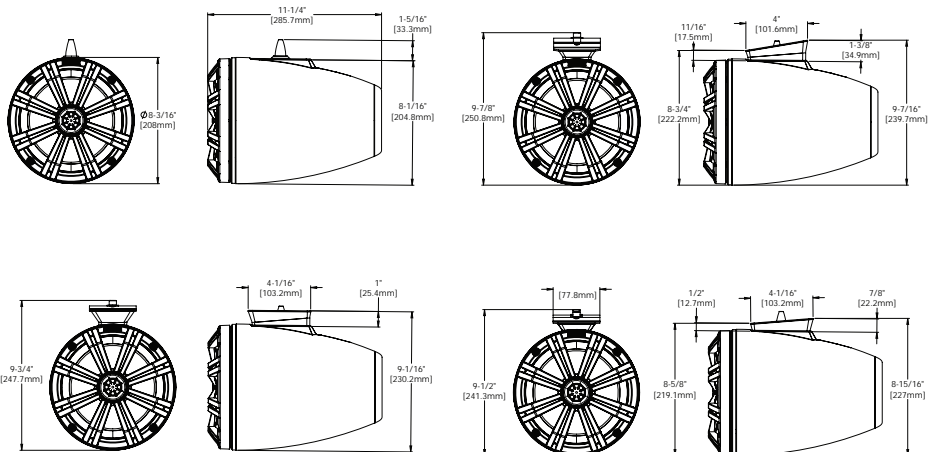
Serial Number: \_\_\_\_\_

The KICKER KMFC Loaded Marine Cans are the perfect way to bring your music out into the marine or powersports environment. The KMFC65 and KMFC8 come loaded with the KICKER KM65 and KM8 LED speakers. The injection-molded ABS enclosures are UV treated, splash resistant, and weather resilient. Mount the KMFC Loaded Marine Cans in your boat or get creative with a pair of them in the garage, patio, on your 4x4 or Side-by-Side, or in any other flat-mounted application.

### KMFC65



### KMFC8



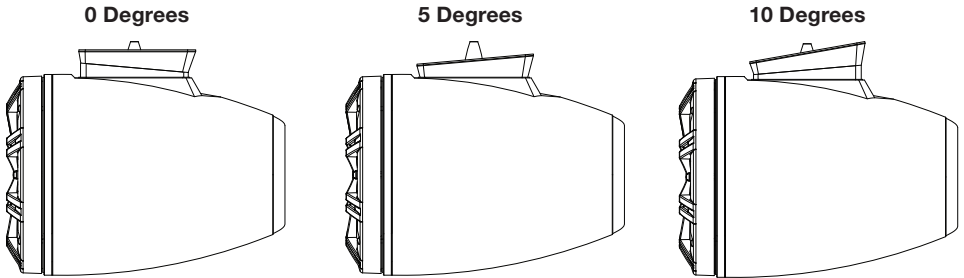
## SPECIFICATIONS

Model:	KMFC65	KMFC8
Rated Impedance [ $\Omega$ ]	4	4
Sensitivity [1W, 1m]	90	92
Peak Power Handling [Watts]	195	300
Continuous Power Handling [Watts RMS]	65	150
Enclosure Diameter/Width [in, cm]	7, 17.8	8-3/16, 20.8
Enclosure Depth [in, cm]	9-11/16, 24.6	11-1/4, 28.5

## INSTALLATION

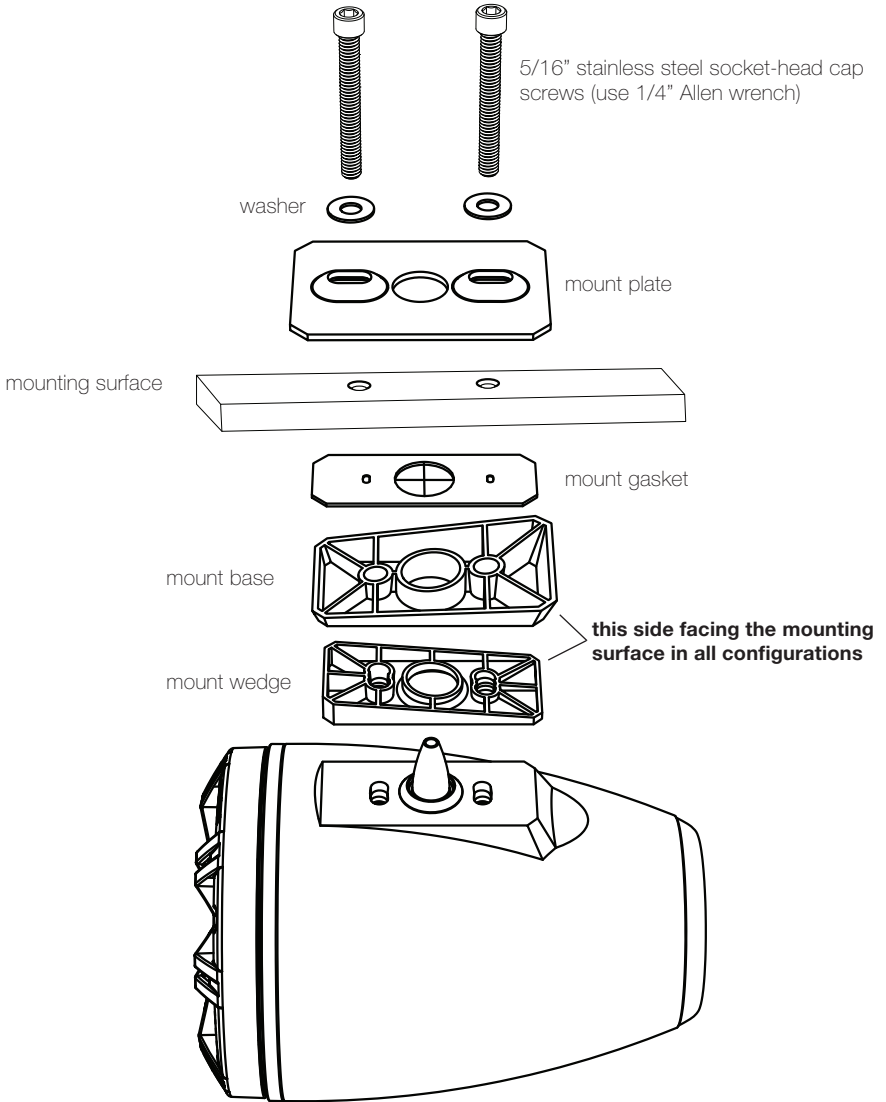
**Step 1:** Determine the location, placement, and mounting configuration of the KMFC cans onto the surface to which you are mounting. The KMFC may be mounted to a flat surface at an angle of 0,  $\pm 5^\circ$ , or  $\pm 10^\circ$ . Spreading the KMFC Loaded Marine Cans apart will provide better stereo performance, and is usually preferable. When determining the best locations for mounting, be careful to look for obstacles or obstructions that could complicate mounting the KMFC. Please keep in mind the routing of your speaker wires as this can affect where you finally mount your cans. You will need to mark and drill three holes in the mounting surface at 5/16" (8mm) in diameter; two for the mounting bolts, and one for wire routing. Use the included mounting hardware as a template. The placement of the holes must line up with the final position of the mounting hardware; ie the holes should be about  $90^\circ$  from the direction the speakers will be aimed and in-line with the wiring coming from the mounting bracket.

**Step 2:** Loosely thread the speaker and LED wires through the bottom of the mount base, mount wedge (if applicable), mount gasket, mounting surface, and the mount plate that will be used to mount the KMFC. The mounting hardware design provides versatility in vertical positioning to direct the speaker's output to the ideal listening position, with the following configurations available. The mount base and mount wedge may be rotated  $180^\circ$  from the diagrams shown below to aim the speakers at the opposite angle.



**IMPORTANT:** You must apply a thin layer of the included anti-seize compound to **ALL** threaded fasteners before installation to prevent galling, corrosion, seizing, and to improve gasket performance.

## 0 Degrees Configuration



**Step 3:** Align the mounting hardware and begin to fasten the bolts. Use the mount gasket in all mounting configurations to ensure a water-resistant seal and to protect from cosmetic damage. You may also install an additional mount gasket between the mount plate and mounting surface. Make certain the wires have been fully extended through the mounting hardware and mounting surface before you finish tightening the bolts.

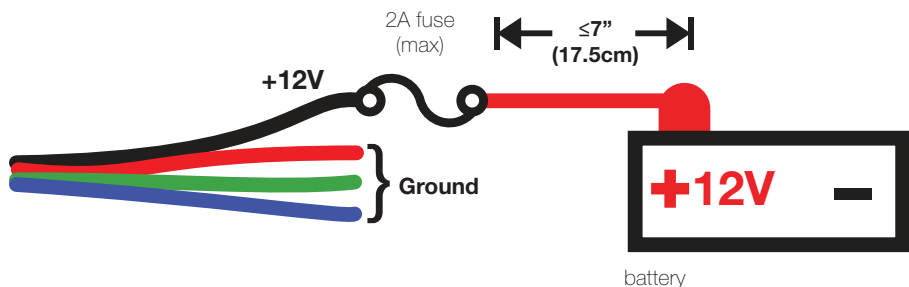
**Step 4:** Connect the speaker wires to your amplifier and LED wires to your +12V and ground sources. KICKER recommends you solder the connections and secure them with heat shrink.

When hard-wiring the RGB lighting, the black lead is +12V and the red, green, and blue leads are ground. Splice and combine the ground wires to yield a different color. There are seven colors available, depending on your wiring configuration. KICKER recommends using the KMLC lighting controller (sold separately) for more colors, patterns, and special effects.

Black : +12V  
 Red : Ground  
 Green : Ground  
 Blue : Ground  
 Transparent Blue : Speaker +  
 Transparent Gray : Speaker -

**Color Combinations:** Splice and combine the ground wires to yield a different color.

Red	Red
Green	Green
Blue	Blue
Red/Green	Lime Green
Red/Blue	Magenta
Blue/Green	Aquamarine
Red/Green/Blue	Blue-White



#### IMPORTANT SAFETY WARNING

Prolonged continuous operation of an amplifier, speaker, or subwoofer in a distorted, clipped or over-powered manner can cause your audio system to overheat, possibly catching fire and resulting in serious damage to your components and/or vehicle. Amplifiers require up to 4 inches (10cm) open ventilation. Subwoofers should be mounted with at least 1 inch (2.5cm) clearance between the front of the speaker and any surface.

**Pro Tip:** You are one KMA Amplifier and a few cables away from a complete, high-quality system with rock-solid bottom end as only available from KICKER! Please ask your dealer about KICKER KMA amplifier upgrades.