



Established 1920

World's Oldest Manufacturer of Sportfishing Equipment

OUTRIGGERS • FIGHTING CHAIRS • ROD HOLDERS

OH-2016F Large Gunnel Mount Outrigger Holder

The OH-2016F (large gunnel mount holder) is a very popular holder of simple design. This holder will accommodate an outrigger with single spreader up to 18 feet in length. Mounted flush on the gunnel, it is very strong and easy to operate. The flush base is one piece with heavy duty locating bar. The curved tube has three way locating slots. The three positions are, running (straight up), fishing (out to the side), and lowered for going under bridges (laying down along gunnel pointing aft). Tubes are made in pairs, one port and one starboard to provide optimum fishing angle. By lifting and rotating tube, the desired position is obtained. When the tube is removed, nothing projects to obstruct gunnel.

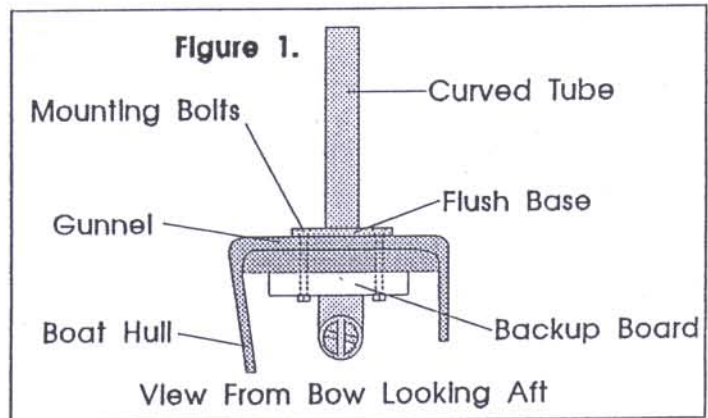
IMPORTANT NOTES:

The gunnel of your boat must be suitably constructed or modified to provide proper support. The underside of the gunnel must be reinforced with enclosed backup board. See figure 1. This is satisfactory on most boats. However, if gunnel flexes excessively, additional reinforcement must be employed, otherwise, damage to boat will occur. Bolts with washers and nuts must be used to secure flush base to gunnel. The bolts provided or equivalent must be used. Never use wood screws or self tapping screws as they will work loose.

The OH-2016F is designed to hold the outrigger straight up in the running position. The surface to which the holder is mounted should be level to insure optimum outrigger angles. This is accomplished with a teak board cut or sanded to the proper angle. Shim plates, if necessary, are available as a factory option.

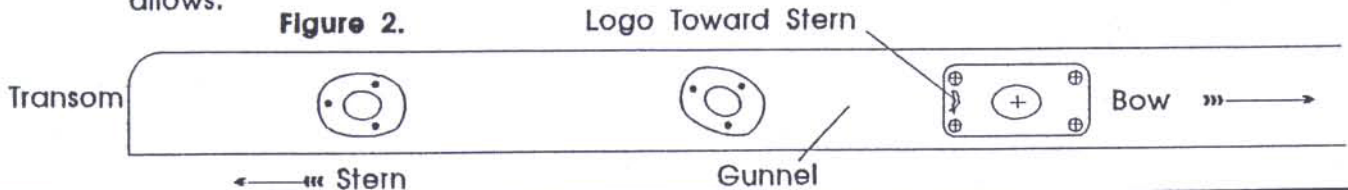
TOOLS REQUIRED:

1. Phillips Screw Driver (Large)
2. 9/16" Wrench (Open, Box or Socket)
3. Tape Measure and Pencil
4. Electric Drill (1/2" chuck necessary for Hole Saw)
5. 5/16" Drill Bit
6. 2 1/8" Hole Saw or Reciprocating Saw (Sabre Saw, Jig Saw, etc.)
7. Half Round File (Coarse)
8. Water Soluble Marine Caulk or Bedding Compound



INSTALLATION INSTRUCTIONS :

- Step 1.** Unpack the outrigger holder from the shipping carton. Refer to the Parts List in this pamphlet to verify that there are no parts missing.
- Step 2.** To determine your mounting position, refer to figure 2. On some boats the gunnel is stronger in certain areas due to the close proximity of a gusset or bulkhead. This would be an ideal place for mounting. Look under the gunnels for this area and to make sure there is nothing to interfere with the installation. The flush base must be mounted forward of your cockpit rod holders in order to work properly. Measure the distance from the outside edge of the transom to the center of the hole you will cut to insure duplication on opposite gunnel. Center flush base laterally if construction allows.



**PRECISION
SPORTFISHING
EQUIPMENT**



Buy quality fishing gear and accessories in our online store.