



World's Oldest Manufacturer of Sportfishing Equipment

OUTRIGGERS • FIGHTING CHAIRS • ROD HOLDERS

Mounting Instructions for OH-226S Junior Outrigger Holder

Congratulations on your purchase. You have purchased the original wishbone mount holders. These holders have been in production for over 45 years and the design has remained basically unchanged. You can purchase replacement parts for any Lee product made since the 1930's.

The mounting plates which support the wishbone braces should be mounted as high as possible to place the sliding clamp at the top of the main tube as shown in the illustrations. Place the clamp no more than 1"-2" below the top of the main tube. This will give the outrigger maximum support in the fishing and running positions.

The tightening knob and locking gate should face the stern for convenience and, more importantly, because the gate will then fall out of the way and clear the opening for the brace when the outrigger is lowered to the fishing position.

It is important that the clamp housing is securely tightened to the main tube and the wishbone brace. This determines the alignment. The three mounting plates should be accurately aligned before bolting so that there is no binding between the sliding clamp, which is secured to the tube, and the wishbone brace when the eyebolt is removed to lay the outrigger down. The base of the main tube may be mounted either on a

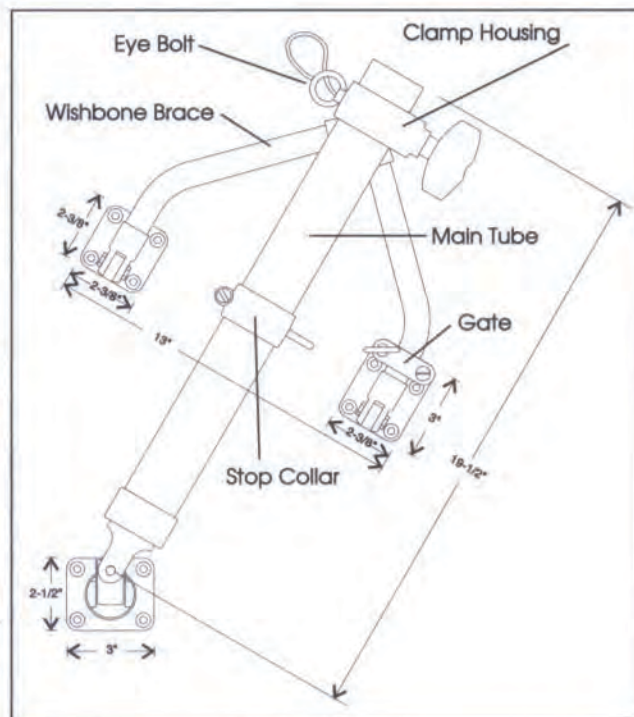


horizontal surface (gunwale) or the side of a vertical surface (cabin wall, radar arch, etc.). After the holder is mounted, determine the position for the laydown hook. Disconnect the clamp from the wishbone and lay it into the laydown hook. The closer to the top of the main tube the hook is, the more support it will provide.

The outriggers can be mounted straight up or raked backwards as much as 45 degrees. The optimum angle is about 30 degrees, but it is best to choose an angle that places the outrigger tips relatively even with the stern of the boat. One to two feet beyond the stern is acceptable.

All mounting plates should be through bolted with stainless bolts, nuts and washers. If the mounting wall is of sufficient strength, fender washers may be enough. If not, then reinforcing with a sheet of plywood 1/2" or thicker is recommended. In instances where there is no access to the rear of the mounting surface, and the mounting surface is of sufficient thickness, (it must be at least 1/4" of an inch thick) you may drill a tap hole. Tap the hole with a 1/4-20 tap and screw in the bolts. If the mounting surface has a wood core self tapping sheet metal screws may be used. In either case care must be taken to drill a tight hole so maximum thread depth is achieved.

If you experience problems or have questions concerning installation, you may contact the factory at the number below for technical support. Thank you and good fishing!



OH226S and OH234S PARTS LIST

WISHBONE

- | | | |
|---|-------------|--------------------------------------|
| 5 | OH2026-0100 | SMALL WISHBONE - COMPLETE with BASES |
| | OH2026-0101 | SMALL WISHBONE with BOLT & LOCK NUT |
| 7 | OH2026-0102 | CLEVIS BOLT & LOCK NUT |
| | OH2034-0100 | LARGE WISHBONE - COMPLETE with BASES |
| | OH2034-0101 | LARGE WISHBONE with BOLT & LOCK NUT |

CLAMP HOUSING

- | | | |
|---|-------------|--------------------------|
| | OH2026-0200 | CLAMP HOUSING - COMPLETE |
| 2 | OH2026-0201 | CLAMP HOUSING - ONLY |
| 1 | OH2026-0202 | EYEBOLT with CABLE |
| | OH2026-0204 | CRESCENT |

KNOB

- | | | |
|---|-------------|--------------------------------|
| 4 | OH2026-0300 | KNOB COMPLETE with RIVET & PIN |
| 3 | OH2026-0301 | KNOB STUD, SCREW, RIVET & PIN |
| | OH2026-0302 | KNOB SCREW |
| | OH2026-0303 | KNOB RIVET & PIN |

FOUR HOLE BASE

- | | | |
|---|-------------|-----------------------------------|
| 6 | OH2026-0401 | FOUR HOLE (ONE PRONG) SQUARE BASE |
|---|-------------|-----------------------------------|

SIX HOLE BASE

- | | | |
|----|-------------|--------------------------------------|
| 13 | OH2026-0500 | SIX HOLE (ONE PRONG) BASE - COMPLETE |
| | OH2026-0501 | SIX HOLE (ONE PRONG) BASE - ONLY |
| 10 | OH2026-0502 | EYE NUT, STUD & NUT |
| 11 | OH2026-0503 | GATE with BOLT & NUT |
| | OH2026-0504 | GATE ONLY |
| 12 | OH2026-0505 | BOLT & NUT (GATE) |

MAIN TUBE

- | | | |
|---|-------------|---------------------------------|
| 8 | OH2026-0600 | 2 in. X 18 in. SS TUBE with CUP |
| | OH2034-0600 | 2 in. X 36 in. SS TUBE with CUP |

14 CUP

- | | | |
|--|-------------|---------------------------|
| | OH2026-0701 | CUP (TWO PRONG) WITH PINS |
| | OH2026-0702 | CUP PINS |

LONG BLOCK

- | | | |
|----|-------------|-------------------------------------|
| | OH2026-0800 | LONG BLOCK, BLOCK PINS & COTTER PIN |
| 17 | OH2026-0801 | LONG BLOCK with COTTER PIN |
| 15 | OH2026-0802 | BLOCK PIN |
| | OH2026-0803 | COTTER PIN (LONG BLOCK) |

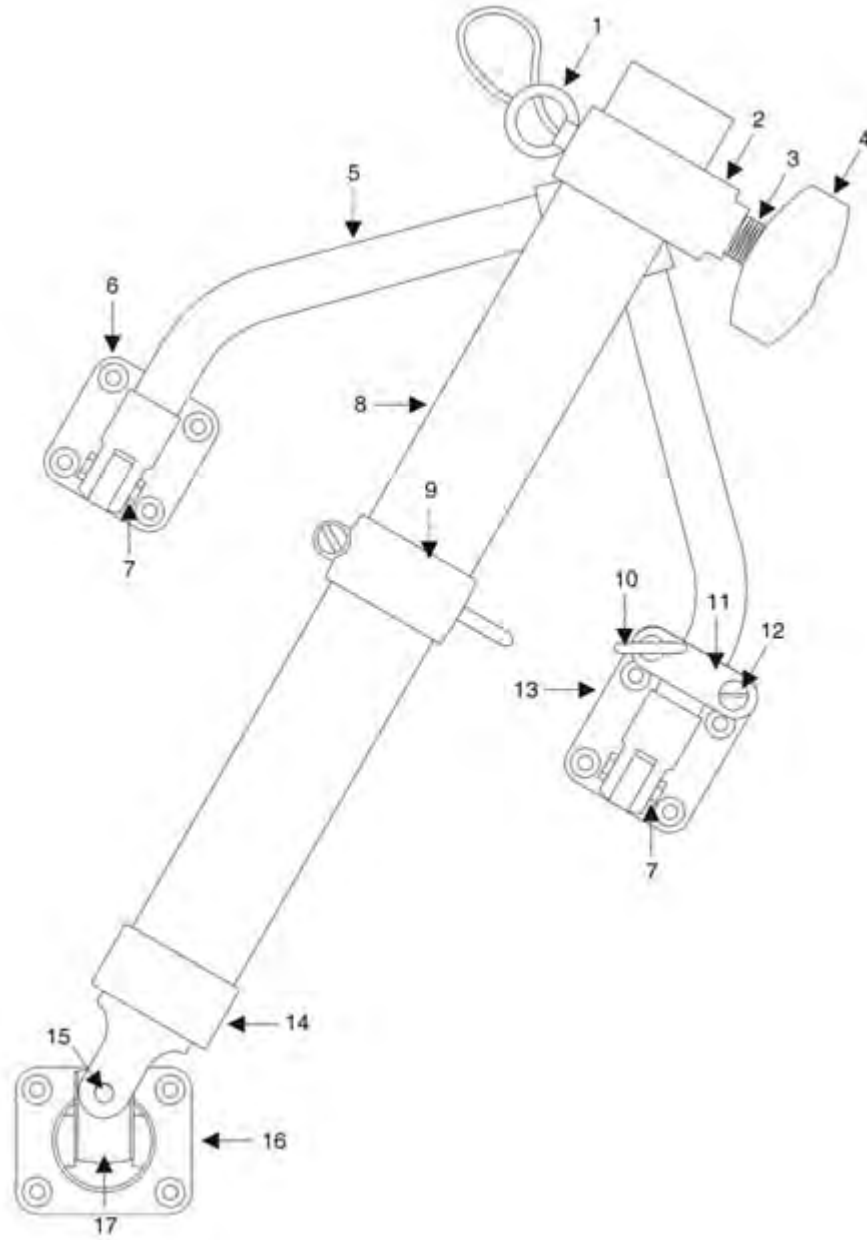
RECTANGULAR BASE

- | | | |
|----|-------------|------------------------------|
| 16 | OH2026-0901 | RECTANGULAR BASE (TWO PRONG) |
|----|-------------|------------------------------|

ACCESSORIES

- | | | |
|---|--------|------------------------|
| 9 | MC20 | 2 in. STOP COLLAR |
| | MC0014 | 2 in. LAY-DOWN HOOK SS |

Lee's Wishbone Outrigger "The Junior" Parts List





World's Oldest Manufacturer of Sportfishing Equipment

OUTRIGGERS • FIGHTING CHAIRS • ROD HOLDERS

ALL DIMENSIONS ARE APPROXIMATE AND
ARE TO BE USED AS A GUIDELINE ONLY.
FOR COMPLETE ACCURACY USE PRODUCT
TO DETERMINE CORRECT MOUNTING POINTS.

SHOWN MOUNTED AT 30 DEGREES
RAKED BACK FROM VERTICAL.

