

Wally Marshall™ SIGNATURE SERIES

WMR5



Wally Marshall Signature Series Spinning Reels are designed for **tough lightweight performance.**

Wally Marshall™
SIGNATURE SERIES WMR5

Reel Specifications

Model	Weight	Ball Bearings	Gear Ratio	Line Line Capacity
WMR5	5.6 OZ.	2	6.1:1	100/10

FEATURES:

- Rigid one-piece graphite frame, spool and side plates
- Two stainless steel ball bearings
- Selective on/off free spool feature
- Precision machined brass gearing
- Selective on/off bait clicker
- Smooth tension adjustment knob
- Gear ratio 6.1:1
- Line capacity 100 yds/10 lb mono
- Prespooled with premium Mr. Crappie Mono

Maintenance and Care

While applying lubricant to your Wally Marshall™ reel, avoid using multi-purpose oil. Use lightweight silicone based oils or greases made for fishing reels. Apply oil to all bearings, the crank shaft, and the worm gear. Apply grease to the bushings, pinion gears, drive gears, and crank gears. **fig 1**

After usage your reel should be inspected for dirt or sand and cleaned if excessive buildup is present. If your reel has come in contact with saltwater it is important to flush all parts with water, dry and re-lubricate your reel. Through diligent cleaning and maintenance your Wally Marshall™ reel will provide you with years of reliability and sound performance.

Wally Marshall™ SIGNATURE SERIES WMR5

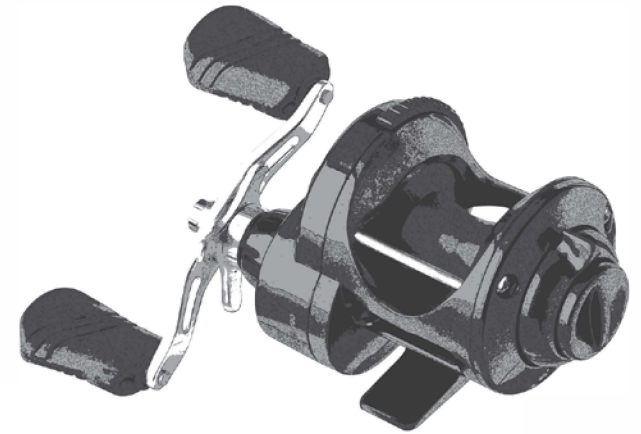
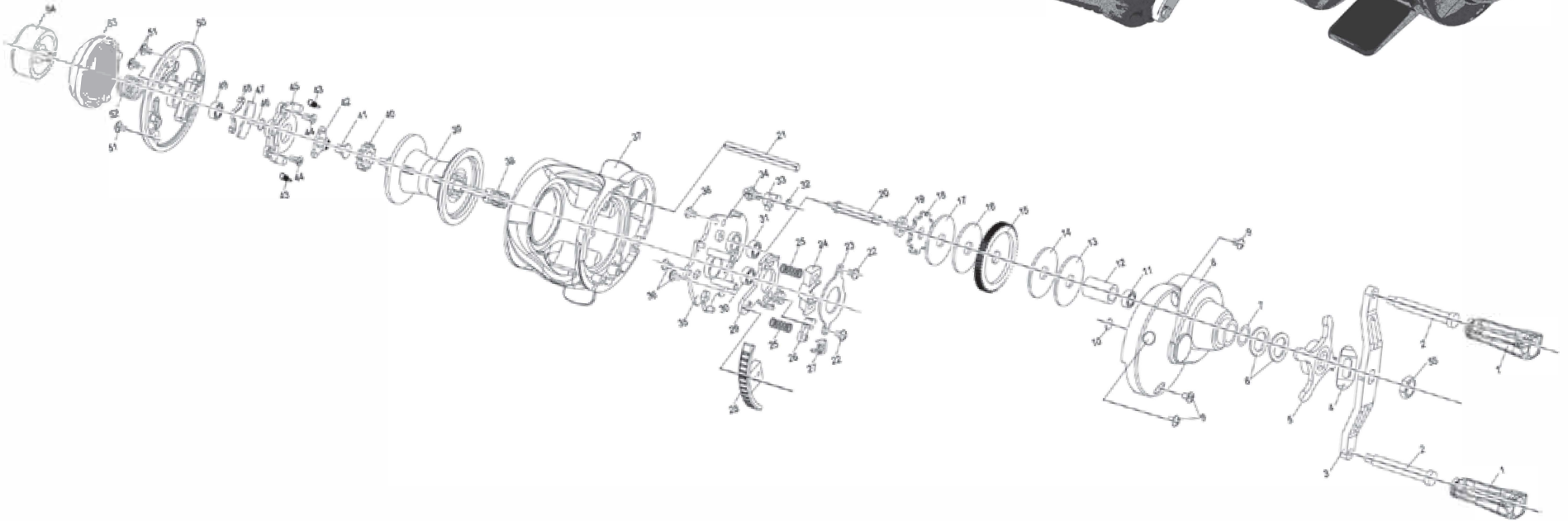


fig 1 To remove side cover unscrew side-plate screws pry front cover away from body to access components



KEY NO.	PARTS NAME	KEY NO.	PARTS NAME	KEY NO.	PARTS NAME	KEY NO.	PARTS NAME	KEY NO.	PARTS NAME	KEY NO.	PARTS NAME
1	HANDLEKNOB	11	BALL BEARING	21	LINE RETAINING SHAFT	31	BALL BEARING	41	PAWL PIN	51	SCREW
2	HANDLE RIVET	12	MAIN GEAR BUSHING	22	SCREW	32	E-RING	42	PAWLPLATE	52	SPRING
3	CRANK	13	DRAG WASHER	23	CLUTCH RETAINER PLATE	33	RETAINER PLATE	43	SPRING	53	DRIVEPLATE
4	FRICTION WASHER	14	FRICTION WASHER	24	CLUTCH BAR	34	RETAINER PIN	44	SCREW	54	HANDLE CAP
5	STAR DRAG	15	DRIVE GEAR	25	CLUTCH SPRING	35	HOLDER PLATE	45	PAWL RETAINER	55	NUT
6	DRAG SPRING WASHER	16	FRICTION WASHER	26	KICK LEVER	36	SCREW	46	SCREW		
7	WASHER	17	DRAG WASHER	27	SPRING	37	FRAME	47	PLATE		
8	RIGHT SIDE PLATE	18	RATCHET	28	CLUTCH HANDLE	38	PINION GEAR	48	PAWL SLICE		
9	SCREW	19	ANTI-REVERSE PAWL	29	CLUTCH CAM	39	SPOOL	49	BALL BEARING		
10	WASHER	20	GEAR SHAFT	30	BALL BEARING	40	PAWL	50	LEFT SIDE PLATE		

[View other fishing gear and accessories made by Lew's on our website.](#)