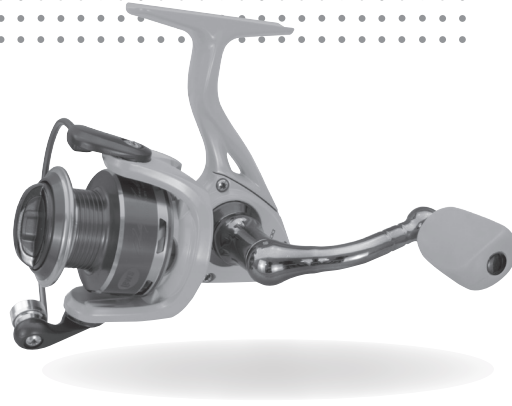




Wally Marshall™
SPEED SHOOTER

WMSS75, WMSS100

Driven by innovation –
 Fueled with Passion
Feel the Difference!



Reel Specifications

Model	Weight (oz.)	Line Capacity (yd./lb.)	Gear Ratio	RPT*
WMSS75	5.0	160/4	5.2:1	22"
WMSS100	7.8	160/6	5.2:1	23.5"

*Recovery per turn.

FEATURES:

- 4-Bearing system with Zero-reverse one-way clutch bearing
- Lightweight graphite body and skeletal rotor design
- Double anodized ported aluminum spool
- Strong and balanced aluminum bail
- Thin compact gear box
- Right/Left hand retrieve



ATTENTION BRAIDED LINE USERS!

If your Lew's® Spinning reel has a knurled spool or rubber arbor (designed for tying braided line directly to the spool), you can tie braid directly to your spool using a uni-knot.

If your Lew's® spinning reel does not have a knurled spool or rubber arbor, you will need to first tie on and spool at least 20 revolutions of monofilament line, with either a back-to-back uni-knot or an Albright knot.

Continue to spool your reel as normal, keeping strong tension on the line to ensure the line is firmly wound onto the spool to keep from "digging in" to underlying line layers when pressure is put on the line from fighting fish.

FAILURE TO PROPERLY SPOOL BRAIDED LINE ONTO YOUR REELS SPOOL WILL RESULT IN LINE SLIPPAGE, AND THE IMPRESSION YOUR DRAG IS NOT WORKING PROPERLY.

Maintenance and Care

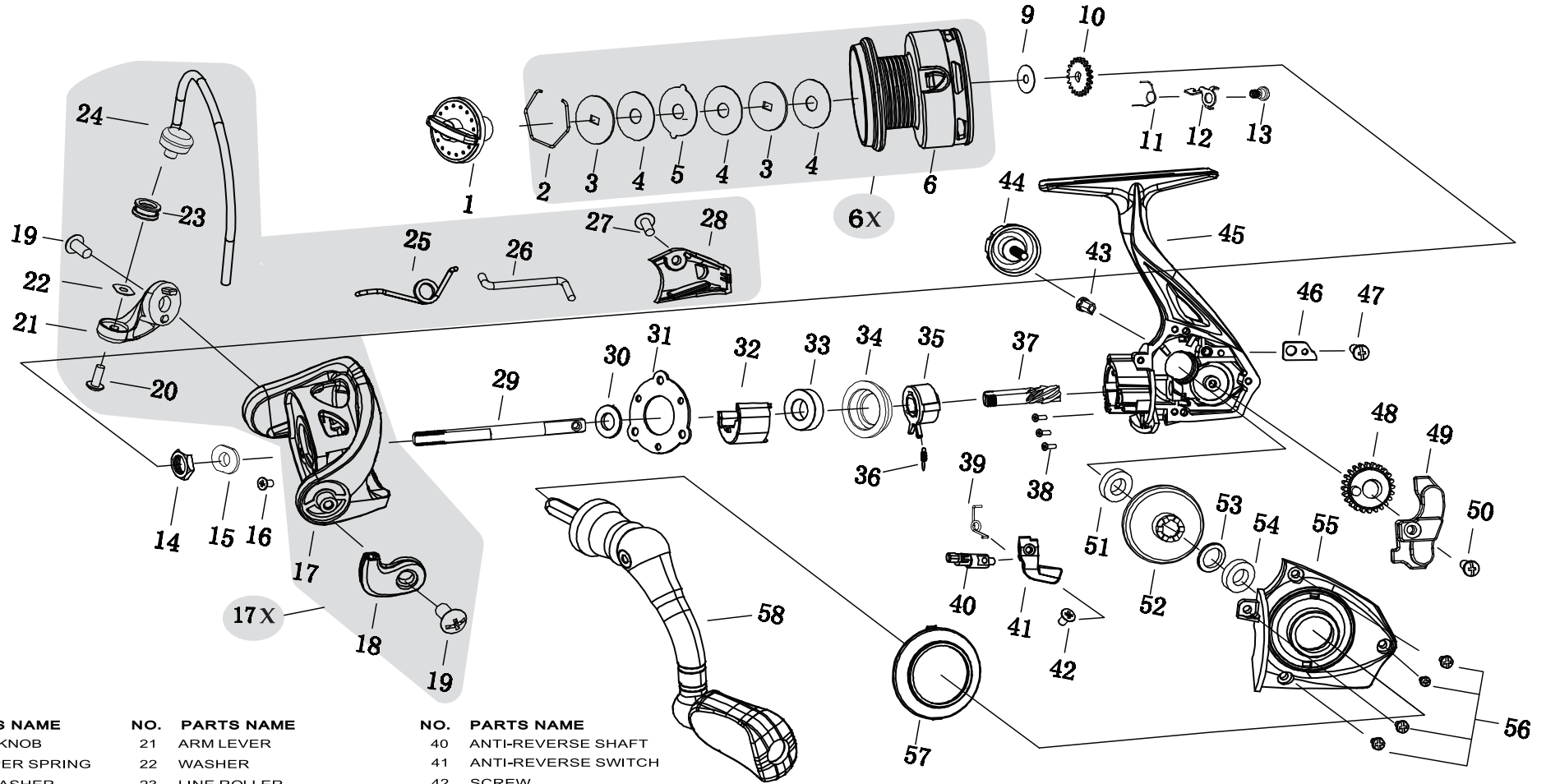
While applying lubricant to your Wally Marshall™ Speed Shooter reel, avoid using multi-purpose oil. Use lightweight silicone based oils or greases made for fishing reels. Apply oil to all bearings and the the main shaft. Apply grease to the bushings, pinion gears and main gears.

After usage your reel should be inspected for dirt or sand and cleaned if excessive buildup is present. If your reel has come in contact with saltwater it is important to flush all parts with water, dry and re-lubricate your reel. Through diligent cleaning and maintenance your Lew's® reel will provide you with years of reliability and sound performance.



Wally Marshall™ SPEED SHOOTER

WMSS75, WMSS100



NO.	PARTS NAME
1	DRAG KNOB
2	STOPPER SPRING
3	KEY WASHER
4	DRAG WASHER
5	EARED WASHER
6	SPOOL
6X	SPOOL ASS'Y
9	CLICK WASHER
10	CLICK GEAR
11	SPRING
12	CLICKER
13	SCREW
14	NUT
15	WASHER
16	SCREW
17	ROTOR
17X	ROTOR ASS'Y
18	BAIL HOLDER
19	SCREW
20	SCREW

NO.	PARTS NAME
21	ARM LEVER
22	WASHER
23	LINE ROLLER
24	BAIL ARM
25	SPRING
26	KICK LEVER
27	SCREW
28	ARM LEVER CAP
29	MAIN SHAFT
30	WASHER
31	FIX HOLDER
32	OUTER RING
33	BALL BEARING
34	BALL BEARING KEEPER
35	ONE-WAY CLUTCH BEARING
36	SPRING
37	PINION GEAR
38	SCREW
39	ANTI-REVERSE SPRING

NO.	PARTS NAME
40	ANTI-REVERSE SHAFT
41	ANTI-REVERSE SWITCH
42	SCREW
43	SCREW
44	HANDLE CAP
45	BODY
46	BALANCE SLIDER
47	SCREW
48	GEAR
49	SLIDER
50	SCREW
51	BALL BEARING
52	MAIN GEAR
53	WASHER
54	BALL BEARING
55	BODY SIDEPLATE
56	SCREW
57	BODY CAP
58	HANDLE SET