



Wally Marshall™  
**SPEED SHOOTER**

WMSS75, WMSS100

*Driven by innovation*  
 Fueled with Passion  
**Feel the Difference!**



### Reel Specifications

Model	Weight (oz.)	Line Capacity (yd./lb.)	Gear Ratio	RPT*
WMSS75	5.0	160/4	5.2:1	22"
WMSS100	7.8	160/6	5.2:1	23.5"

\*Recovery per turn.

#### FEATURES:

- 4-Bearing system with Zero-reverse one-way clutch bearing
- Lightweight graphite body and skeletal rotor design
- Double anodized ported aluminum spool
- Strong and balanced aluminum bail
- Thin compact gear box
- Right/Left hand retrieve



### ATTENTION BRAIDED LINE USERS!

If your Lew's® Spinning reel has a knurled spool or rubber arbor (designed for tying braided line directly to the spool), you can tie braid directly to your spool using a uni-knot.

If your Lew's® spinning reel does not have a knurled spool or rubber arbor, you will need to first tie on and spool at least 20 revolutions of monofilament line, with either a back-to-back uni-knot or an Albright knot.

Continue to spool your reel as normal, keeping strong tension on the line to ensure the line is firmly wound onto the spool to keep from "digging in" to underlying line layers when pressure is put on the line from fighting fish.

**FAILURE TO PROPERLY SPOOL BRAIDED LINE ONTO YOUR REELS SPOOL WILL RESULT IN LINE SLIPPAGE, AND THE IMPRESSION YOUR DRAG IS NOT WORKING PROPERLY.**

### Maintenance and Care

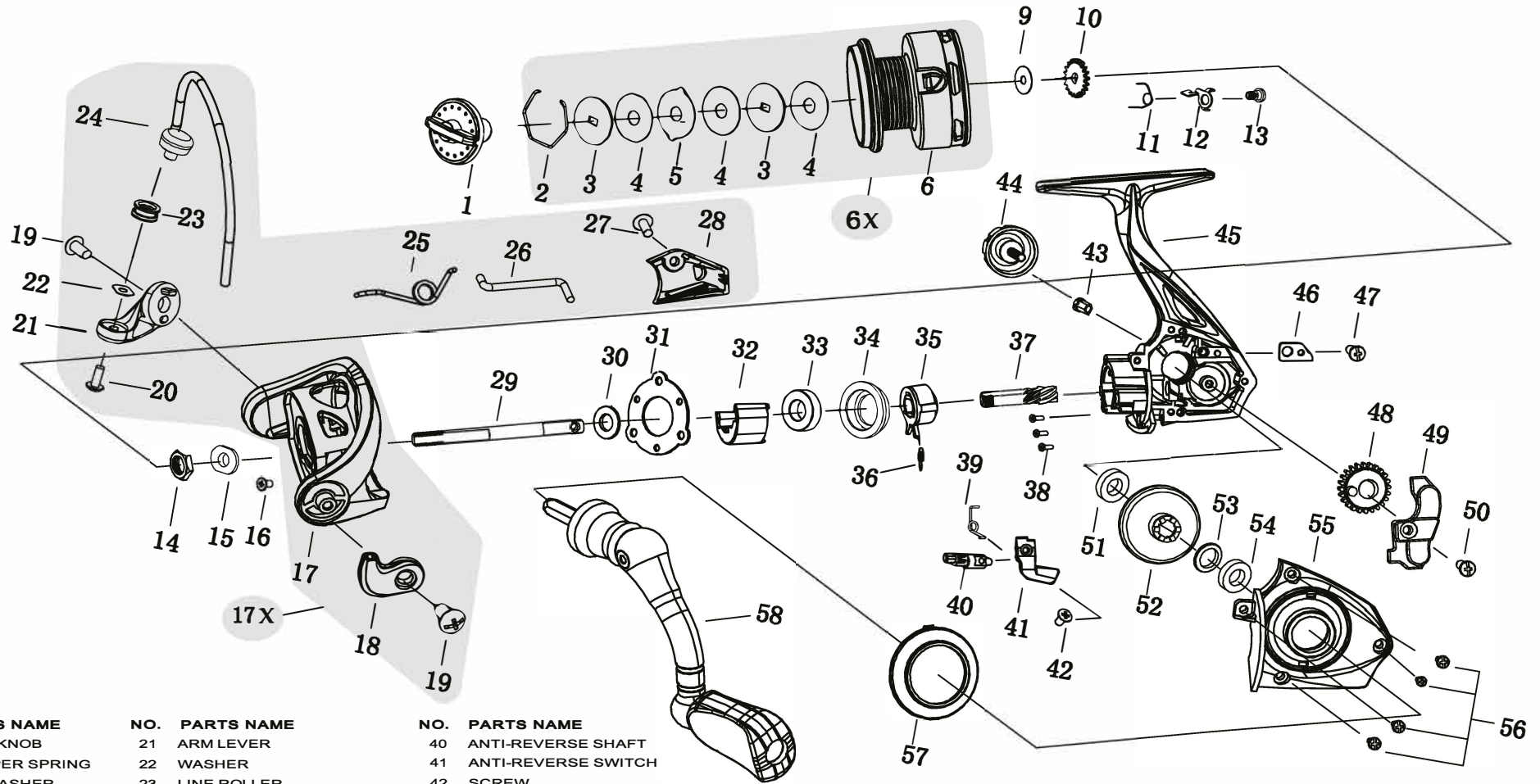
While applying lubricant to your Wally Marshall™ Speed Shooter reel, avoid using multi-purpose oil. Use lightweight silicone based oils or greases made for fishing reels. Apply oil to all bearings and the the main shaft. Apply grease to the bushings, pinion gears and main gears.

After usage your reel should be inspected for dirt or sand and cleaned if excessive buildup is present. If your reel has come in contact with saltwater it is important to flush all parts with water, dry and re-lubricate your reel. Through diligent cleaning and maintenance your Lew's® reel will provide you with years of reliability and sound performance.



# Wally Marshall™ SPEED SHOOTER

WMSS75, WMSS100



NO.	PARTS NAME	NO.	PARTS NAME	NO.	PARTS NAME
1	DRAG KNOB	21	ARM LEVER	40	ANTI-REVERSE SHAFT
2	STOPPER SPRING	22	WASHER	41	ANTI-REVERSE SWITCH
3	KEY WASHER	23	LINE ROLLER	42	SCREW
4	DRAG WASHER	24	BAIL ARM	43	SCREW
5	EARED WASHER	25	SPRING	44	HANDLE CAP
6	SPOOL	26	KICK LEVER	45	BODY
<b>6X</b>	<b>SPOOL ASS'Y</b>	27	SCREW	46	BALANCE SLIDER
9	CLICK WASHER	28	ARM LEVER CAP	47	SCREW
10	CLICK GEAR	29	MAIN SHAFT	48	GEAR
11	SPRING	30	WASHER	49	SLIDER
12	CLICKER	31	FIX HOLDER	50	SCREW
13	SCREW	32	OUTER RING	51	BALL BEARING
14	NUT	33	BALL BEARING	52	MAIN GEAR
15	WASHER	34	BALL BEARING KEEPER	53	WASHER
16	SCREW	35	ONE-WAY CLUTCH BEARING	54	BALL BEARING
17	ROTOR	36	SPRING	55	BODY SIDEPLATE
<b>17X</b>	<b>ROTOR ASS'Y</b>	37	PINION GEAR	56	SCREW
18	BAIL HOLDER	38	SCREW	57	BODY CAP
19	SCREW	39	ANTI-REVERSE SPRING	58	HANDLE SET
20	SCREW				

