

Wally Marshall™ SIGNATURE SERIES

WSP50, WSP75, WSP100

Wally Marshall Signature Series Spinning Reels are designed for **tough lightweight performance.**

Wally Marshall™
SIGNATURE SERIES

Reel Specifications

Model	Weight	Ball Bearings	Gear Ratio	Line Line Capacity	IPT
WSP50	6.0 OZ.	5 +1	5.2:1	150/4	23"
WSP75	6.2 OZ.	5 +1	5.2:1	120/6	23.5"
WSP100	6.7 OZ.	5 +1	5.2:1	120/8	24"

FEATURES:

- Rugged graphite body and rotor
- Double anodized aluminum spool with gold accent lines
- Skeletal rotor system
- Strong and balanced aluminum bail
- Thin compact gear box
- Quality seven bearing system
- Zero-Reverse one-way clutch bearing
- Adjustable for right or left hand retrieve

6 Bearing System

Maintenance and Care

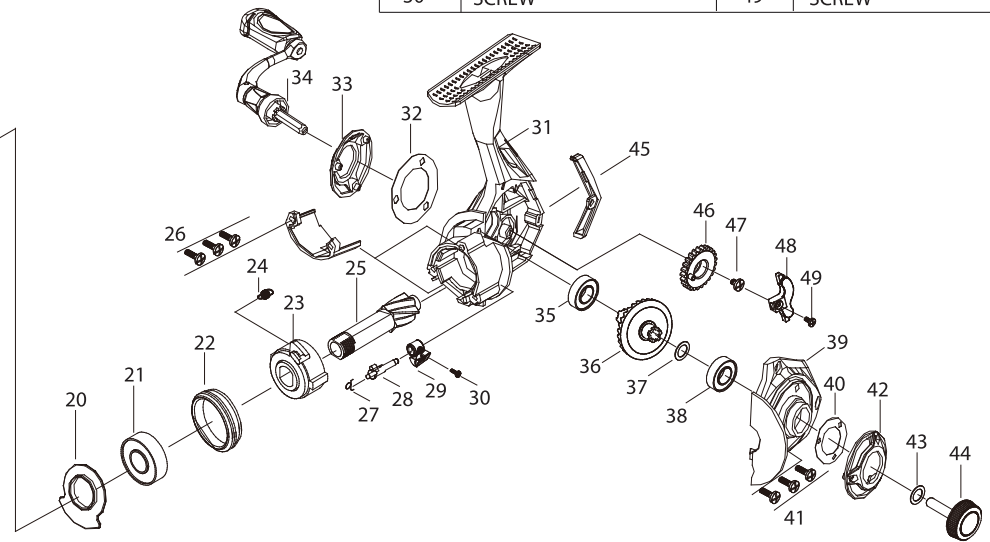
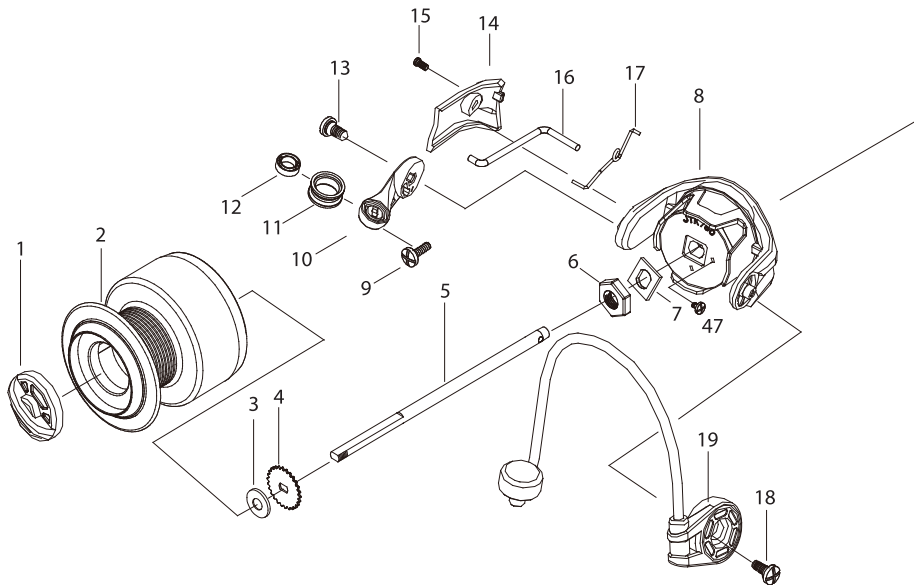
While applying lubricant to your Wally Marshall™ reel, avoid using multi-purpose oil. Use lightweight silicone based oils or greases made for fishing reels. Apply oil to all bearings, the crank shaft, and the worm gear. Apply grease to the bushings, pinion gears, drive gears, and crank gears.

After usage your reel should be inspected for dirt or sand and cleaned if excessive buildup is present. If your reel has come in contact with saltwater it is important to flush all parts with water, dry and re-lubricate your reel. Through diligent cleaning and maintenance your Wally Marshall™ reel will provide you with years of reliability and sound performance.

Wally Marshall™ SIGNATURE SERIES

WSP50, WSP75, WSP100

KEY NO.	PARTS NAME	KEY NO.	PARTS NAME	KEY NO.	PARTS NAME
1	DRAG KNOB ASSEMBLY	12	PLASTIC BEARING	31	BODY
2	SPOOL ASSEMBLY	13	SCREW	32	CARBON CLOTH
3	WASHER	14	ROTOR CAP	33	BODY RING
4	CLICK GEAR	15	SCREW	34	HANDLE ASSEMBLY
5	MAIN SHAFT	16	BAIL TRIP SHAFT	35	BALL BEARING
6	ROTOR NUT	17	BAIL SPRING	36	DRIVE GEAR
7	WASHER	18	SCREW	37	WASHER
8	ROTOR	19	BAIL ASSEMBLY	38	BALL BEARING
9	SCREW	20	BALL BEARING RETAINER	39	BODY COVER
10	BALL ARM	21	BALL BEARING	40	CARBON CLOTH
11	LINE ROLLER	22	BALL BEARING HOLDER	41	SCREW
		23	ONE WAY CLUTCH BEARING	42	BODY COVER RING
		24	SPRING	43	WASHER
		25	PINION GEAR	44	HANDLE SCREW CAP
		26	SCREW	45	BODY CAP
		27	OWC BEARING SPRING	46	OSCILLATING GEAR
		28	ANTI-REVERSE LEVER	47	SCREW
		29	ANTI-REVERSE BUTTON	48	OSCILLATING SLIDER
		30	SCREW	49	SCREW



[View other fishing gear and accessories made by Lew's on our website.](#)