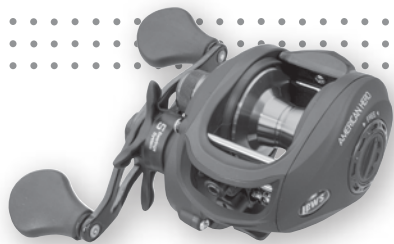




AH1H, AH1SH

Driven by innovation
Fueled with Passion
Feel the Difference!



Reel Specifications

Model	Weight (oz.)	Gear Ratio	Max Drag (lb.)	Line Capacity (yd./lb.)	IPT
AH1H	7.2	6.4:1	10	120/12	28"
AH1SH	7.2	7.1:1	10	120/12	31"

FEATURES:

- One-piece, lightweight, graphite frame and sideplates
- Premium 5-bearing system with stainless steel double shielded and Zero-Reverse one-way clutch bearing
- Externally adjustable Magnetic Control System (MCS)
- Aluminum anodized blue spool
- Durable Rulon drag system, provides up to 10 lbs. drag power
- High strength solid brass main gear and crank shaft
- Zirconia line guide • Quick and easy removable graphite palming sideplate
- Handle-side anodized aluminum spool tension adjustment dial
- Anodized aluminum bowed handle with Lew's® custom paddle handle knobs
- Fully adjustable, smooth, bowed graphite drag star



Performance – Right out of the Box!

Your American Hero® Speed Spool baitcast reel by Lew's® is designed for performance and functionality. From the way it conforms to your hand, to the way it reacts crisply and effortlessly to your command, you'll know the minute you grab onto the Speed Spool® that you've got a quality reel.

The American Hero® reel exploits several new developments which will allow you to set yourself apart from the competition.

High Strength Brass Gearing

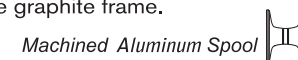
The drive gear, crankshaft, and worm shaft are made of high strength brass for increased strength and durability. In addition to these advantages, brass provides exceptionally low friction to enhance efficiency.

Lightweight Graphite Frame

Your Speed Spool® reel utilizes a strong yet lightweight one-piece graphite frame.

Lightweight Machined Aluminum Spool

The spool on your Lew's® reel has been engineered to maximize casting distance. Anodized to withstand oxidation and abrasion, machined and built for deep capacity.



Anti-Reverse Bearing

The handle on your Speed Spool® reel will only rotate forward for rock solid hook setting. When you release the handle it will hold its position because of Anti-Reverse bearings, never losing an inch on your catch; an invaluable property to have when you're pulling it in.



Full-Release Magnetic Control System (MCS)

In order to combat backlash your Speed Spool® reel is furnished with an externally adjustable, full-release magnetic braking system. As the spool accelerates it experiences magnetic resistance, which can be controlled with a dial on the palming sideplate. A full-release magnetic brake has the ability to be backed for enough away from the spool to completely negate any effect on the acceleration of the spool.



Cast Control System

A second feature exists to prevent backlash, the Cast Control System. An adjustment knob is found next to the star drag. The function saddles the spool shaft with steady pressure in order to stabilize spool speed. To calibrate the system reel your lure in until it rests on the tip of the rod, then tighten the knob until taut. Depress the thumb bar, and holding the rod horizontally loosen the knob slowly until the lure begins to descend. The spool should continue to spin after the lure contacts the ground, but should not complete more than one full rotation. If the spool does not continue to spin, the knob is too tight. If the spool completes more than one rotation, the knob is too loose. Repeat until you have achieved the desired results.

Bowed 85MM Aluminum Handle

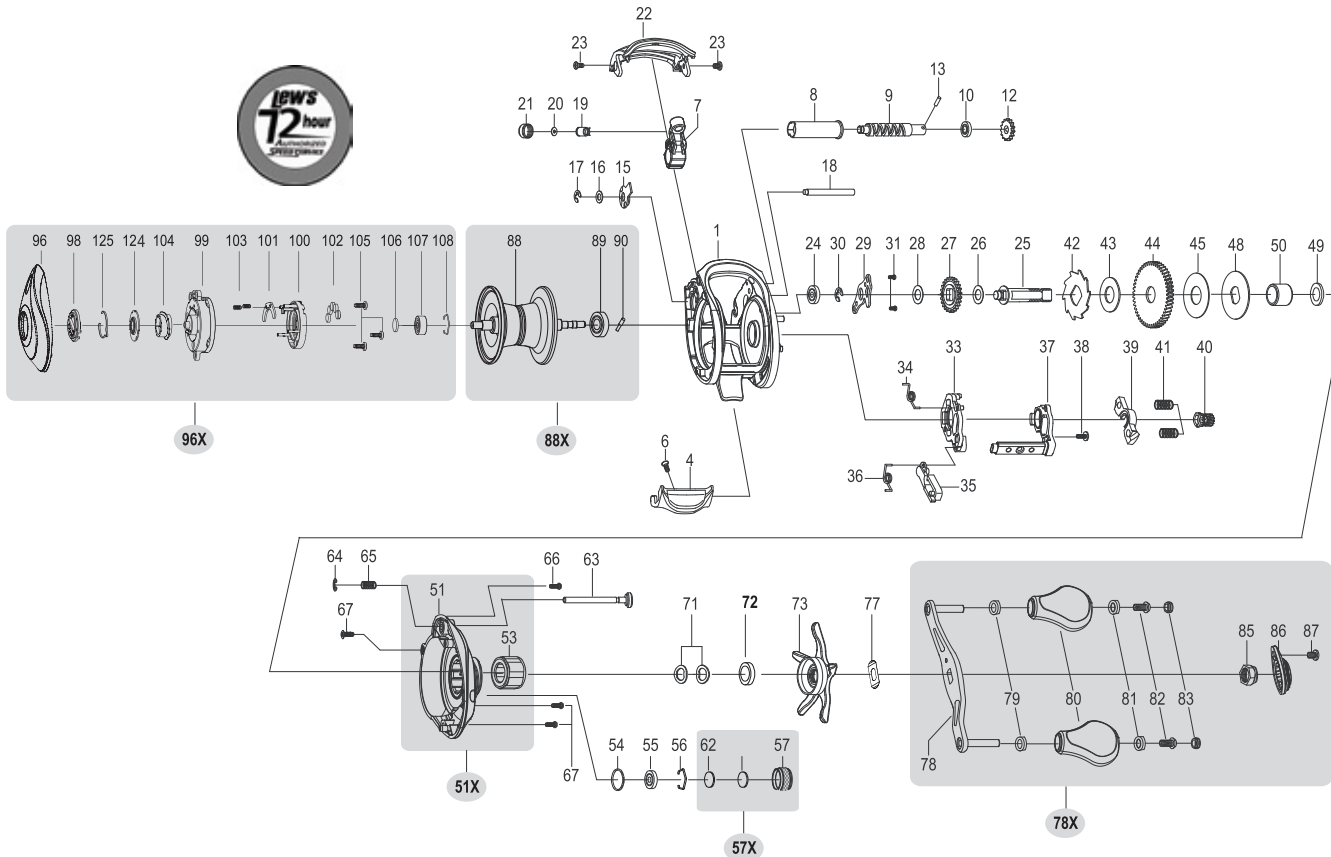
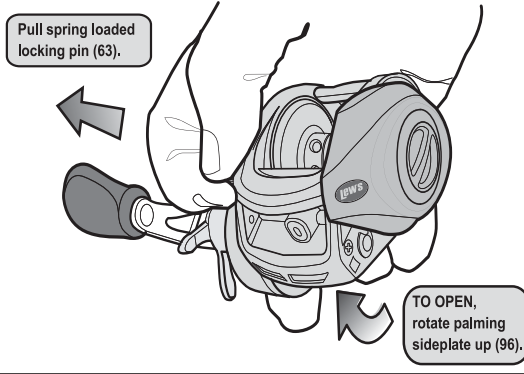
Our 85mm bowed aluminum handle will give you all the cranking power you need. The Lew's® custom SoftTouch contoured paddle is an added bonus known for its comfortable fit and ease for all day fishing.

Maintenance and Care

When applying lubricant to your Speed Spool® reel, avoid using multi-purpose oil. Use lightweight oils or greases made for fishing reels. Apply oil to all bearings, the crankshaft and the worm gear. Apply grease to the bushings, pinion gears, drive gears, and crank gears.

After usage, your reel should be inspected for dirt or sand and cleaned if excessive build-up is present. If your reel has come in contact with saltwater it is important to flush all parts with water, dry and re-lubricate your reel. Through diligent cleaning and maintenance your Lew's® reel will provide you with years of reliability and sound performance.

fig 1 To remove palming sideplate pull locking pin (63) away from reel body.



KEY #	PART NAME	KEY #	PART NAME	KEY #	PART NAME
1	FRAME	37	CLUTCH LINK	77	LEAF SPRING
4	CLUTCH BAR	38	CLUTCH LINK SCREW	78	HANDLE
6	CLUTCH BAR SCREW	39	PINION YOKE	78X	HANDLE ASSEMBLY
7	LEVELWIND ASSEMBLY	40	PINION GEAR	79	BUSHING
8	PIPE	41	PINION YOKE SPRING (2)	80	HANDLE KNOB
9	WORM SHAFT	42	RATCHET	81	BUSHING
10	BUSHING	43	RATCHET WASHER	82	HANDLE KNOB SCREW
12	IDLER(S)	44	DRIVE GEAR	83	HANDLE KNOB CAP
13	WORM SHAFT PIN	45	DRAG WASHER (L-3)	85	HANDLE NUT
15	WORM SHAFT BUSHING (B)	48	DRAG WASHER (D)	86	HANDLE NUT CAP
16	WORM SHAFT WASHER	49	SLEEVE WASHER (OPTIONAL)	87	SCREW
17	E-RING	50	SLEEVE	88	SPOOL
18	PILLAR	51	GEAR SIDEPLATE	88X	SPOOL ASSEMBLY
19	LEVELWIND PIN	51X	GEAR SIDEPLATE ASSEMBLY	89	BALL BEARING
20	SPACER (OPTIONAL)	53	ONE-WAY CLUTCH BEARING	90	PIN
21	LEVELWIND NUT	54	O-RING	96	PALMING SIDEPLATE
22	FRONT COVER	55	BALL BEARING	96X	PALMING SIDEPLATE ASSEMBLY
23	FRONT COVER SCREW (2)	56	BEARING RETAINER	98	CONTROL DIAL
24	BALL BEARING	57	CAST CONTROL CAP	99	SPOOL COVER
25	CRANKSHAFT	57X	CAST CONTROL CAP ASSEMBLY	101	MAGNET HOLDER PLATE-F
26	IDLER (L) WASHER (A)	61	TENSION WASHER	102	MAGNET (5)
27	IDLER (L)	62	SPOOL SPACER (B)	103	MAGNET HOLDER SPRING (2)
28	IDLER(L) WASHER (B)	63	LOCKING PIN	103	SLIDE CAM-F
29	BEARING PLATE	64	E-RING	105	SPOOL COVER SCREW (3)
30	E-RING	65	LOCKING PIN SPRING	106	SPOOL SPACER-A
31	BEARING PLATE SCREW	66	GEAR SIDEPLATE SCREW (A)	107	BALL BEARING
33	CLUTCH CAM	67	GEAR SIDEPLATE SCREW (B)	108	BEARING RETAINER
34	CLUTCH SPRING	71	DRAG SPRING WASHER (A-2)	124	SLIDE CAM-D
35	KICK LEVER	72	DRAG SPACER	125	CLICK SPRING
36	KICK LEVER SPRING	73	STAR DRAG		



LEW'S AMERICAN HERO SPEED SPOOL®

AH1HL

Driven by innovation
Fueled with Passion
Feel the Difference!



Reel Specifications

Model	Weight (oz.)	Gear Ratio	Max Drag (lb.)	Line Capacity (yd./lb.)	IPT
AH1HL*	7.2	6.4:1	10	120/12	28"

*Left hand retrieve.

FEATURES:

- One-piece, lightweight, graphite frame and sideplates
- Premium 5-bearing system with stainless steel double shielded and Zero-Reverse one-way clutch bearing
- Externally adjustable Magnetic Control System (MCS)
- Aluminum anodized blue spool
- Durable Rulon drag system, provides up to 10 lbs. drag power
- High strength solid brass main gear and crank shaft
- Zirconia line guide • Quick and easy removable graphite palming sideplate
- Handle-side anodized aluminum spool tension adjustment dial
- Anodized aluminum bowed handle with Lew's® custom paddle handle knobs
- Fully adjustable, smooth, bowed graphite drag star



Performance – Right out of the Box!

Your American Hero® Speed Spool baitcast reel by Lew's® is designed for performance and functionality. From the way it conforms to your hand, to the way it reacts crisply and effortlessly to your command, you'll know the minute you grab onto the Speed Spool® that you've got a quality reel.

The American Hero® reel exploits several new developments which will allow you to set yourself apart from the competition.

High Strength Brass Gearing

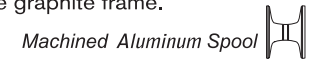
The drive gear, crankshaft, and worm shaft are made of high strength brass for increased strength and durability. In addition to these advantages, brass provides exceptionally low friction to enhance efficiency.

Lightweight Graphite Frame

Your Speed Spool® reel utilizes a strong yet lightweight one-piece graphite frame.

Lightweight Machined Aluminum Spool

The spool on your Lew's® reel has been engineered to maximize casting distance. Anodized to withstand oxidation and abrasion, machined and built for deep capacity.



Anti-Reverse Bearing

The handle on your Speed Spool® reel will only rotate forward for rock solid hook setting. When you release the handle it will hold its position because of Anti-Reverse bearings, never losing an inch on your catch; an invaluable property to have when you're pulling it in.



Full-Release Magnetic Control System (MCS)

In order to combat backlash your Speed Spool® reel is furnished with an externally adjustable, full-release magnetic braking system. As the spool accelerates it experiences magnetic resistance, which can be controlled with a dial on the palming sideplate. A full-release magnetic brake has the ability to be backed for enough away from the spool to completely negate any effect on the acceleration of the spool.



Cast Control System

A second feature exists to prevent backlash, the Cast Control System. An adjustment knob is found next to the star drag. The function saddles the spool shaft with steady pressure in order to stabilize spool speed. To calibrate the system reel your lure in until it rests on the tip of the rod, then tighten the knob until taut. Depress the thumb bar, and holding the rod horizontally loosen the knob slowly until the lure begins to descend. The spool should continue to spin after the lure contacts the ground, but should not complete more than one full rotation. If the spool does not continue to spin, the knob is too tight. If the spool completes more than one rotation, the knob is too loose. Repeat until you have achieved the desired results.

Bowed 85MM Aluminum Handle

Our 85mm bowed aluminum handle will give you all the cranking power you need. The Lew's® custom SoftTouch contoured paddle is an added bonus known for its comfortable fit and ease for all day fishing.



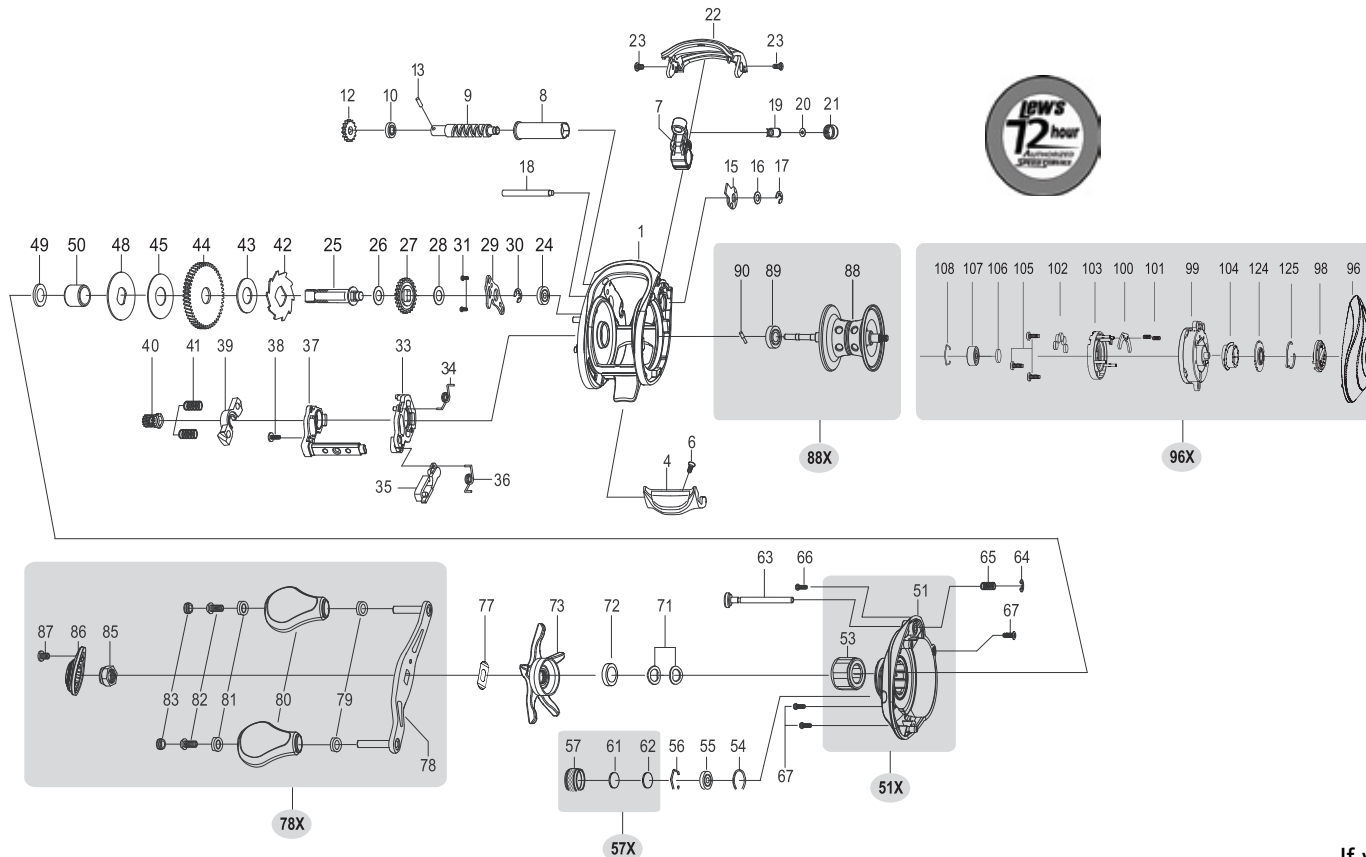
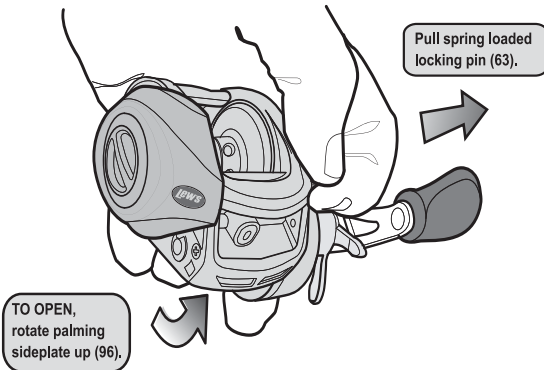
AMERICAN HERO SPEED SPOOL® AH1HL

Maintenance and Care

When applying lubricant to your Speed Spool® reel, avoid using multi-purpose oil. Use lightweight oils or greases made for fishing reels. Apply oil to all bearings, the crankshaft and the worm gear. Apply grease to the bushings, pinion gears, drive gears, and crank gears.

After usage, your reel should be inspected for dirt or sand and cleaned if excessive build-up is present. If your reel has come in contact with saltwater it is important to flush all parts with water, dry and re-lubricate your reel. Through diligent cleaning and maintenance your Lew's® reel will provide you with years of reliability and sound performance.

fig 1 To remove palming sideplate pull locking pin (63) away from reel body.



KEY #	PART NAME	KEY #	PART NAME	KEY #	PART NAME
1	FRAME	37	CLUTCH LINK	77	LEAF SPRING
4	CLUTCH BAR	38	CLUTCH LINK SCREW	78	HANDLE
6	CLUTCH BAR SCREW	39	PINION YOKE	78X	HANDLE ASSEMBLY
7	LEVELWIND ASSEMBLY	40	PINION GEAR	79	BUSHING
8	PIPE	41	PINION YOKE SPRING (2)	80	HANDLE KNOB
9	WORM SHAFT	42	RATCHET	81	BUSHING
10	BUSHING	43	RATCHET WASHER	82	HANDLE KNOB SCREW
12	IDLER(S)	44	DRIVE GEAR	83	HANDLE KNOB CAP
13	WORM SHAFT PIN	45	DRAG WASHER (L-3)	85	HANDLE NUT
15	WORM SHAFT BUSHING (B)	48	DRAG WASHER (D)	86	HANDLE NUT CAP
16	WORM SHAFT WASHER	49	SLEEVE WASHER (OPTIONAL)	87	SCREW
17	E-RING	50	SLEEVE	88	SPOOL
18	PILLAR	51	GEAR SIDEPLATE	88X	SPOOL ASSEMBLY
19	LEVELWIND PIN	51X	GEAR SIDEPLATE ASSEMBLY	89	BALL BEARING
20	SPACER (OPTIONAL)	53	ONE-WAY CLUTCH BEARING	90	PIN
21	LEVELWIND NUT	54	O-RING	96	PALMING SIDEPLATE
22	FRONT COVER	55	BALL BEARING	96X	PALMING SIDEPLATE ASSEMBLY
23	FRONT COVER SCREW (2)	56	BEARING RETAINER	98	CONTROL DIAL
24	BALL BEARING	57	CAST CONTROL CAP	99	SPOOL COVER
25	CRANKSHAFT	57X	CAST CONTROL CAP ASSEMBLY	101	MAGNET HOLDER PLATE-F
26	IDLER (L) WASHER (A)	61	TENSION WASHER	102	MAGNET (5)
27	IDLER (L)	62	SPOOL SPACER (B)	103	MAGNET HOLDER SPRING (2)
28	IDLER(L) WASHER (B)	63	LOCKING PIN	103	SLIDE CAM-F
29	BEARING PLATE	64	E-RING	105	SPOOL COVER SCREW (3)
30	E-RING	65	LOCKING PIN SPRING	106	SPOOL SPACER-A
31	BEARING PLATE SCREW	66	GEAR SIDEPLATE SCREW (A)	107	BALL BEARING
33	CLUTCH CAM	67	GEAR SIDEPLATE SCREW (B)	108	BEARING RETAINER
34	CLUTCH SPRING	71	DRAG SPRING WASHER (A-2)	124	SLIDE CAM-D
35	KICK LEVER	72	DRAG SPACER	125	CLICK SPRING
36	KICK LEVER SPRING	73	STAR DRAG		