



**AMERICAN HERO®
CAMO**



AHC1SH

6 Bearing System

**HS
7.1:1
HIGH SPEED**

*Driven by innovation -
Fueled with Passion
Feel the Difference!*

Reel Specifications

Model	Weight (oz.)	Gear Ratio	Line Capacity (yd./lb.)	RPT (in.)
AHC1SH	7.2	7.1:1	120/12	31

FEATURES:

- One-piece graphite frame and sideplates
- Lightweight anodized aluminum spool
- 6-bearing system with stainless steel double shielded ball bearings and Zero-Reverse one-way clutch bearing
- Externally adjustable Magnetic Control System (MCS)
- Durable Rulon drag system provides up to 15 lbs. drag power
- High strength brass drive gear • Zirconia line guide
- Lew's® combat style grip handle knobs
- Lew's® combat style pad on thumb bar

Performance – Right out of the Box!

Your Speed Spool® reel is designed for performance and functionality. From the way it conforms to your hand, to the way it reacts crisply and effortlessly to your command, you'll know the minute you grab onto your Speed Spool® that you've got a quality reel.

Your Speed Spool® reel exploits several new developments which will allow you to set yourself apart from the competition

High Strength Brass Gearing The drive gear is made from high strength brass for increased strength, durability, and smooth cranking.

One-piece Graphite Frame and Sideplates Your Speed Spool® reel utilizes a one-piece, lightweight graphite frame and sideplates. Lightweight plus strong, so you'll never have to worry about frame torque or twisting.

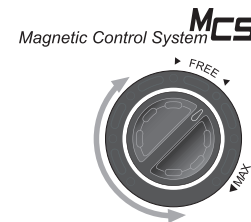
Lightweight Anodized Aluminum Spool The spool of your Speed Spool reel has been engineered to maximize casting distance. Anodized to withstand oxidation and abrasion.

High Strength Brass Gearing The drive gear is made from high strength brass for increased strength, durability, and smooth cranking.



Zero-Reverse Bearing The handle on your Speed Spool® reel will only rotate forward for rock solid hook setting. When you release the handle it will hold its position because of the Zero-Reverse bearing, never losing an inch on your catch; an invaluable property to have when you're pulling it in.

Full-Release Magnetic Control System (MCS) In order to combat backlash your Speed Spool® reel is equipped with an externally adjustable, full-release magnetic braking system. As the spool accelerates it experiences magnetic resistance, which can be controlled with a dial on the palming sideplate. The full-release magnetic brake has the ability to be backed for enough away from the spool to completely negate any effect on the acceleration of the spool.



Cast Control System A second feature exists to prevent backlash, the Cast Control System. An adjustment knob is found next to the star drag. This function saddles the spool shaft with steady pressure in order to stabilize spool speed.

To calibrate the system, reel your lure in until it rests on the tip of the rod, then tighten the knob until taut. Depress the thumb bar, and holding the rod horizontally loosen the knob slowly until the lure begins to descend. The spool should continue to spin after the lure contacts the ground, but should not complete more than one full rotation. If the spool does not continue to spin, the knob is too tight. If the spool completes more than one rotation, the knob is too loose. Repeat until you have achieved the desired results.

Bowed Aluminum Handle Our bowed aluminum handle will give you all the cranking power you need. The Lew's® custom SoftTouch contoured paddle knobs are an added bonus known for a comfortable grip and ease for all day fishing.



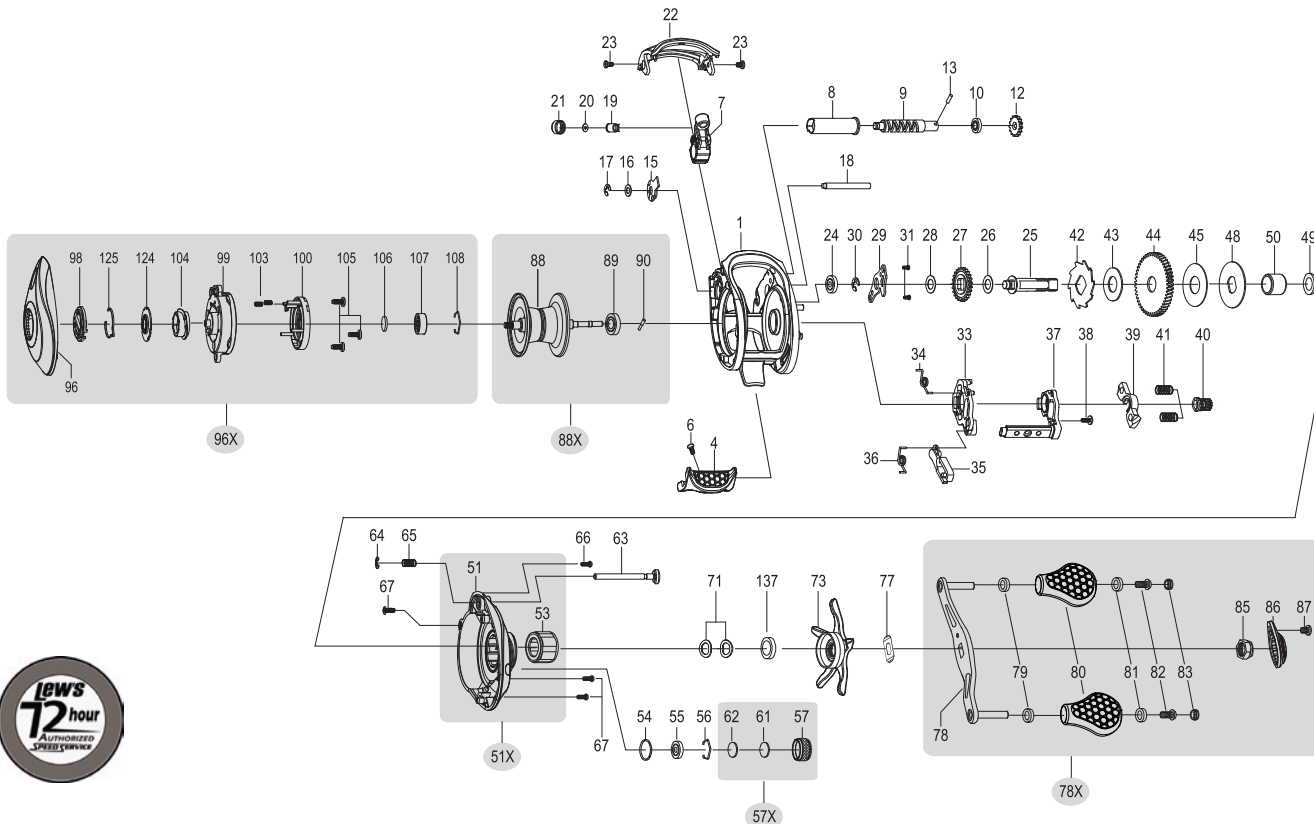
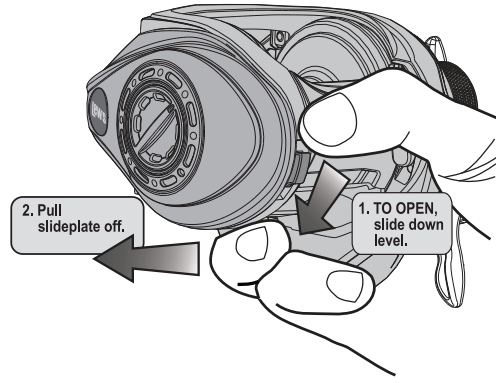
AMERICAN HERO[®] CAMO AHCI5H

Maintenance and Care

When applying lubricant to your Speed Spool[®] reel, avoid using multi-purpose oil. Use lightweight oils or greases made for fishing reels. Apply oil to all bearings, the crankshaft and the worm gear. Apply grease to the bushings, pinion gears, drive gears, and crank gears.

After usage, your reel should be inspected for dirt or sand and cleaned if excessive build-up is present. If your reel has come in contact with saltwater it is important to flush all parts with water, dry and re-lubricate your reel. Through diligent cleaning and maintenance your Lew's[®] reel will provide you with years of reliability and sound performance.

fig 1 To remove palming sideplate slide down level and pull sideplate off.



KEY #	PART NAME	KEY #	PART NAME	KEY #	PART NAME
1	FRAME	37	CLUTCH LINK	78	HANDLE
4	CLUTCH BAR ASSEMBLY	38	CLUTCH LINK SCREW	78X	HANDLE ASSEMBLY
6	CLUTCH BAR SCREW	39	PINION YOKE	79	BUSHING
7	LEVEL WIND ASSEMBLY	40	PINION GEAR	80	HANDLE KNOB
8	PIPE	41	PINION YOKE SPRING (2)	81	BUSHING
9	WORM SHAFT	42	RATCHET	82	HANDLE KNOB SCREW
10	BALL BEARING	43	RATCHET WASHER	83	HANDLE KNOB CAP
12	IDLER(S)	44	DRIVE GEAR	85	HANDLE NUT
13	WORM SHAFT PIN	45	DRAG WASHER (L-3)	86	HANDLE NUT CAP
15	WORM SHAFT BUSHING (B)	48	DRAG WASHER (D)	87	SCREW
16	WORM SHAFT WASHER	49	SLEEVE WASHER (OPTIONAL)	88	SPOOL
17	E-RING	50	SLEEVE	88X	SPOOL ASSEMBLY
18	PILLAR	51	GEAR SIDE PLATE	89	BALL BEARING
19	LEVEL WIND PIN	51X	GEAR SIDE PLATE ASSEMBLY	90	PIN
20	SPACER (OPTIONAL)	53	ONE-WAY CLUTCH	96	PALM SIDE PLATE
21	LEVEL WIND NUT	54	O-RING	96X	PALM SIDE PLATE ASSEMBLY
22	FRONT COVER	55	BALL BEARING	98	CONTROL DIAL
23	FRONT COVER SCREW (2)	56	BEARING RETAINER	99	SPOOL COVER
24	BALL BEARING	57	CAST CONTROL CAP	100	MAGNET HOLDER ASSEMBLY
25	CRANK SHAFT	57X	CAST CONTROL CAP ASSEMBLY	104	SLIDE CAM-F
26	IDLER (L) WASHER (A)	61	TENSION WASHER	105	SPOOL COVER SCREW (3)
27	IDLER (L)	62	SPOOL SPACER (B)	106	SPOOL SPACER-A
28	IDLER (L) WASHER (B)	63	LOCKING PIN	107	BALL BEARING
29	BEARING PLATE	64	E-RING	108	BEARING RETAINER
30	E-RING	65	LOCKING PIN SPRING	124	SLIDE CAM-D
31	BEARING PLATE SCREW	66	GEAR SIDE PLATE SCREW (A)	125	CLICK SPRING
33	CLUTCH CAM	67	GEAR SIDE PLATE SCREW (B)	137	DRAG SPACER
34	CLUTCH SPRING	71	DRAG SPRING WASHER (A-2)		
35	KICK LEVER	73	STAR DRAG		
36	KICK LEVER SPRING	77	LEAF SPRING		





AMERICAN HERO[®]
CAMO



AHC1SHL

6 Bearing System

HS 7.1:1 HIGH SPEED

*Driven by innovation -
Fueled with Passion
Feel the Difference!*

Reel Specifications

Model	Weight (oz.)	Gear Ratio	Line Capacity (yd./lb.)	RPT (in.)
AHC1SHL	7.2	7.1:1	120/12	31

FEATURES:

- One-piece graphite frame and sideplates
- Lightweight anodized aluminum spool
- 6-bearing system with stainless steel double shielded ball bearings and Zero-Reverse one-way clutch bearing
- Externally adjustable Magnetic Control System (MCS)
- Durable Rulon drag system provides up to 15 lbs. drag power
- High strength brass drive gear • Zirconia line guide
- Lew's® combat style grip handle knobs
- Lew's® combat style pad on thumb bar

Performance – Right out of the Box!

Your Speed Spool® reel is designed for performance and functionality. From the way it conforms to your hand, to the way it reacts crisply and effortlessly to your command, you'll know the minute you grab onto your Speed Spool® that you've got a quality reel.

Your Speed Spool® reel exploits several new developments which will allow you to set yourself apart from the competition

High Strength Brass Gearing The drive gear is made from high strength brass for increased strength, durability, and smooth cranking.

One-piece Graphite Frame and Sideplates Your Speed Spool® reel utilizes a one-piece, lightweight graphite frame and sideplates. Lightweight plus strong, so you'll never have to worry about frame torque or twisting.

Lightweight Anodized Aluminum Spool The spool of your Speed Spool reel has been engineered to maximize casting distance. Anodized to withstand oxidation and abrasion.

High Strength Brass Gearing The drive gear is made from high strength brass for increased strength, durability, and smooth cranking.



Bearing The handle on your Speed Spool® reel will only rotate forward for rock solid hook setting. When you release the handle it will hold its position because of the Zero-Reverse bearing, never losing an inch on your catch; an invaluable property to have when you're pulling it in.

Full-Release Magnetic Control System (MCS) In order to combat backlash your Speed Spool® reel is equipped with an externally adjustable, full-release magnetic braking system. As the spool accelerates it experiences magnetic resistance, which can be controlled with a dial on the palming sideplate. The full-release magnetic brake has the ability to be backed for enough away from the spool to completely negate any effect on the acceleration of the spool.



Cast Control System A second feature exists to prevent backlash, the Cast Control System. An adjustment knob is found next to the star drag. This function saddles the spool shaft with steady pressure in order to stabilize spool speed.

To calibrate the system, reel your lure in until it rests on the tip of the rod, then tighten the knob until taut. Depress the thumb bar, and holding the rod horizontally loosen the knob slowly until the lure begins to descend. The spool should continue to spin after the lure contacts the ground, but should not complete more than one full rotation. If the spool does not continue to spin, the knob is too tight. If the spool completes more than one rotation, the knob is too loose. Repeat until you have achieved the desired results.

Bowed Aluminum Handle Our bowed aluminum handle will give you all the cranking power you need. The Lew's® custom SoftTouch contoured paddle knobs are an added bonus known for a comfortable grip and ease for all day fishing.



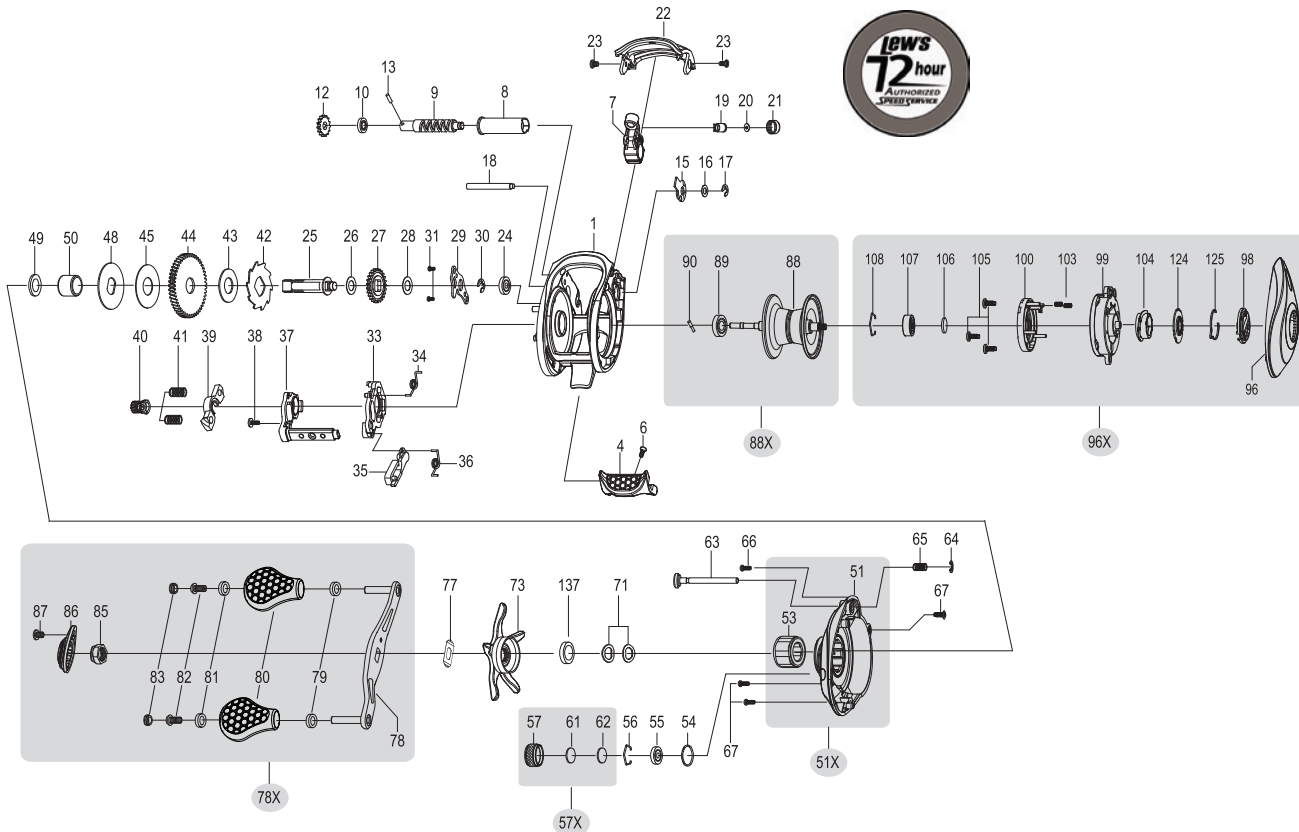
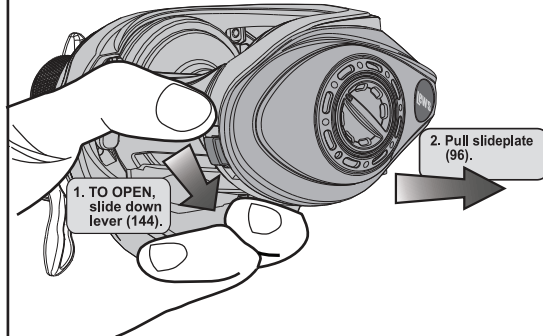
AMERICAN HERO[®] CAMO AHCI1SHL

Maintenance and Care

When applying lubricant to your Speed Spool[®] reel, avoid using multi-purpose oil. Use lightweight oils or greases made for fishing reels. Apply oil to all bearings, the crankshaft and the worm gear. Apply grease to the bushings, pinion gears, drive gears, and crank gears.

After usage, your reel should be inspected for dirt or sand and cleaned if excessive build-up is present. If your reel has come in contact with saltwater it is important to flush all parts with water, dry and re-lubricate your reel. Through diligent cleaning and maintenance your Lew's[®] reel will provide you with years of reliability and sound performance.

To remove palming sideplate slide down level and pull slideplate off.



KEY #	PART NAME	KEY #	PART NAME	KEY #	PART NAME
1	FRAME	37	CLUTCH LINK	78	HANDLE
	CLUTCH BAR ASSEMBLY	38	CLUTCH LINK SCREW	78X	HANDLE ASSEMBLY
6	CLUTCH BAR SCREW	39	PINION YOKE	79	BUSHING
7	LEVEL WIND ASSEMBLY	40	PINION GEAR	80	HANDLE KNOB
8	PIPE	41	PINION YOKE SPRING (2)	81	BUSHING
9	WORM SHAFT	42	RATCHET	82	HANDLE KNOB SCREW
10	BALL BEARING	43	RATCHET WASHER	83	HANDLE KNOB CAP
12	IDLER(S)	4	DRIVE GEAR	85	HANDLE NUT
13	WORM SHAFT PIN	45	DRAG WASHER (L-3)	86	HANDLE NUT CAP
15	WORM SHAFT BUSHING (B)	44	DRAG WASHER (D)	87	SCREW
16	WORM SHAFT WASHER	49	SLEEVE WASHER (OPTIONAL)	88	SPOOL
17	E-RING	50	SLEEVE	88X	SPOOL ASSEMBLY
18	PILLAR	51	GEAR SIDE PLATE	89	BALL BEARING
19	LEVEL WIND PIN	51X	GEAR SIDE PLATE ASSEMBLY	90	PIN
20	SPACER (OPTIONAL)	53	ONE-WAY CLUTCH	96	PALM SIDE PLATE
21	LEVEL WIND NUT	5	O-RING	96X	PALM SIDE PLATE ASSEMBLY
22	FRONT COVER	55	BALL BEARING	98	CONTROL DIAL
23	FRONT COVER SCREW (2)	56	BEARING RETAINER	99	SPOOL COVER
2	BALL BEARING	57	CAST CONTROL CAP	100	MAGNET HOLDER ASSEMBLY
25	CRANK SHAFT	57X	CAST CONTROL CAP ASSEMBLY	10	SLIDE CAM-F
26	IDLER (L) WASHER (A)	61	TENSION WASHER	105	SPOOL COVER SCREW (3)
27	IDLER (L)	62	SPOOL SPACER (B)	106	SPOOL SPACER-A
28	IDLER (L) WASHER (B)	63	LOCKING PIN	107	BALL BEARING
29	BEARING PLATE	6	E-RING	108	BEARING RETAINER
30	E-RING	65	LOCKING PIN SPRING	12	SLIDE CAM-D
31	BEARING PLATE SCREW	66	GEAR SIDE PLATE SCREW (A)	125	CLICK SPRING
33	CLUTCH CAM	67	GEAR SIDE PLATE SCREW (B)	137	DRAG SPACER
3	CLUTCH SPRING	71	DRAG SPRING WASHER (A-2)		
35	KICK LEVER	73	STAR DRAG		
36	KICK LEVER SPRING	77	LEAF SPRING		