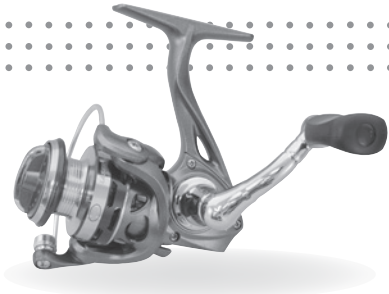




LLS50, LLS75, LLS100



Speed Spin® reels are designed to be Lighter, *Faster* and **Stronger**

Driven by innovation – Fueled with Passion
Feel the Difference!



Reel Specifications

Model	Weight (oz.)	Ball Bearings	Gear Ratio	Line Capacity (yd./lb.)	IPT
LLS50	4.9	6 +1	5.0:1	120/4	21"
LLS75	5.0	6 +1	5.0:1	160/4	22"
LLS100	7.8	6 +1	5.1:1	160/6	23.5"

FEATURES:

- Rugged, lightweight graphite body
- Premium 7-bearing system with steel ball bearings and Zero-Reverse one-way clutch bearing
- Graphite skeletal rotor
- Double anodized aluminum spool
- Fold down handle with SoftTouch knob
- Adjustable for right or left hand retrieve
- Lightweight and balanced aluminum bail
- Precision cut solid brass pinion gear
- Oversized multi-disc drag system for smooth performance
- Speed Lube™ for exceptional smoothness and uninterrupted performance in all weather conditions from extreme heat to freezing cold

7 Bearing System



Maintenance and Care

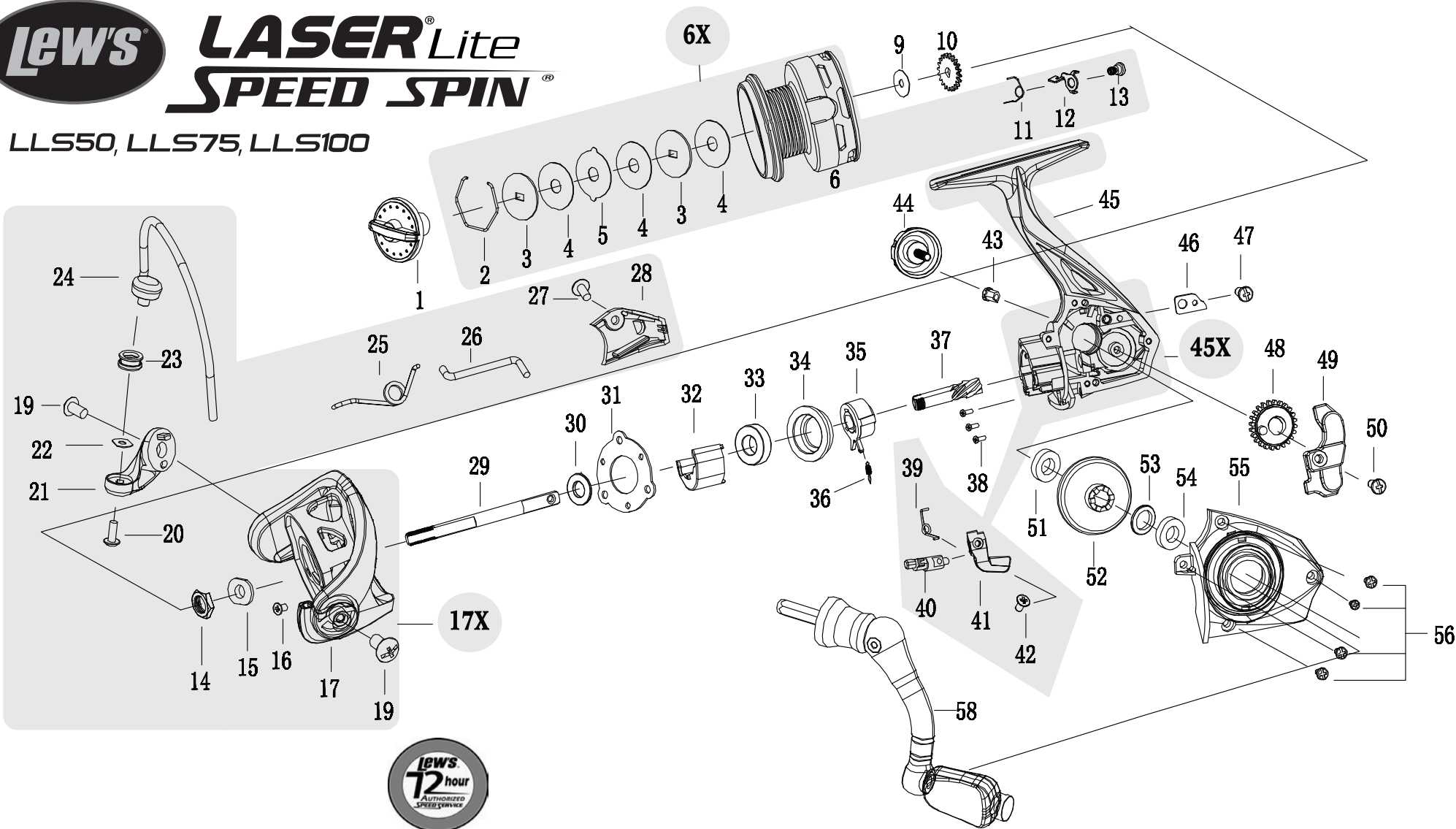
While applying lubricant to your Laser® Lite Speed Spin® reel, avoid using multi-purpose oil. Use lightweight silicone based oils or greases made for fishing reels. Apply oil to all bearings and the shaft. Apply grease to the bushings, pinion gear, drive gear, and oscillation gear.

After usage your reel should be inspected for dirt or sand and cleaned if excessive buildup is present. If your reel has come in contact with saltwater it is important to flush all parts with water, dry and re-lubricate your reel. Through diligent cleaning and maintenance your Lew's® reel will provide you with years of reliability and sound performance.



LASER[®] Lite SPEED SPIN[®]

LLS50, LLS75, LLS100



KEY NO.	PART NAMES	KEY NO.	PART NAMES	KEY NO.	PART NAMES	KEY NO.	PART NAMES	KEY NO.	PART NAMES	KEY NO.	PART NAMES
1	DRAG KNOB	12	CLICKER	22	WASHER	32	OUTTER RING	42	SCREW	52	MAIN GEAR
2	CLIP	13	SCREW	23	LINE ROLLER	33	BALL BEARING	43	SCREW	53	WASHER
3	KEY WASHER	14	NUT	24	BAIL ARM SET	34	BALL BEARING KEEPER	44	HANDLE CAP	54	BALL BEARING
4	DRAG WASHER	15	WASHER	25	SPRING	35	ONE-WAY CLUTCH	45	BODY	55	BODY COVER
5	EARED WASHER	16	SCREW	26	KICK LEVER	36	SPRING	46	BALANCE SLIDER	56	SCREW
6	SPOOL	17	ROTOR	27	SCREW	37	PINION GEAR	47	SCREW	57	BODY CAP
6X	SPOOL ASSEMBLY	17X	ROTOR HEAD ASSEMBLY	28	ARM LEVER CAP	38	SCREW	48	GEAR	58	HANDLE
9	WASHER	19	SCREW	29	MAIN SHAFT	39	ANTI-REVERSE SPRING	49	SLIDER		
10	CLICK GEAR	20	SCREW	30	WASHER	40	ANTI-REVERSE SHAFT	50	SCREW		
11	SPRING	21	ARM LEVER	31	COVER PLATE	41	ANTI-REVERSE SWITCH	51	BALL BEARING		