



Mach²

**MH2-100A, MH2-200A,
MH2-300A, MH2-400A**

**Driven by Innovation –
Fueled with Passion
Feel the Difference!**



Reel Specifications

Model	Weight (oz.)	Max Drag (lb)	Gear Ratio	Line Capacity (yd./lb.)	RPT*
MH2-100A	6.9	8	5.2:1	120/6	30"
MH2-200A	8.9	14	6.2:1	120/8	31"
MH2-300A	9.1	14	6.2:1	180/10	32"
MH2-400A	9.9	18	6.2:1	190/12	35"

*Recovery per turn.

FEATURES:

- Strong and lightweight aluminum body and sideplate
- High strength and lightweight C40 carbon skeletal speed rotor with aluminum bail wire
- Premium 10-stainless steel bearing system includes Zero Reverse® one-way clutch bearing
- Lightweight double anodized braid ready knurled aluminum spool
- DuraMax™ drag system, ultra smooth and super strong
- High strength Speed Gears® with strong, lightweight aluminum pinion cut on precision Hamai CNC gear hobbing machines
- Durable stainless steel main shaft
- Smooth sealed carbon fiber drag system
- Aluminum handle with Winn® Dr-Tac knob
- Speed Lube for exceptional smoothness and uninterrupted performance in all weather conditions from extreme heat to freezing cold
- Adjustable for left or right hand retrieve

Maintenance and Care

While applying lubricant to your Speed Spin® reel, avoid using multi-purpose oil. Use lightweight silicone based oils or greases made for fishing reels. Apply oil to all bearings and the main shaft. Apply grease to the bushings, pinion gears and main gears.

After usage your reel should be inspected for dirt or sand and cleaned if excessive buildup is present. If your reel has come in contact with saltwater it is important to flush all parts with water, dry and re-lubricate your reel. Through diligent cleaning and maintenance your Lew's® reel will provide you with years of reliability and sound performance.

ATTENTION BRAIDED LINE USERS!

If your Lew's® Spinning reel has a knurled spool or rubber arbor (designed for tying braided line directly to the spool), you can tie braid directly to your spool using a uni-knot.

If your Lew's® spinning reel does not have a knurled spool or rubber arbor, you will need to first tie on and spool at least 20 revolutions of monofilament line, with either a back-to-back uni-knot or an Albright knot.

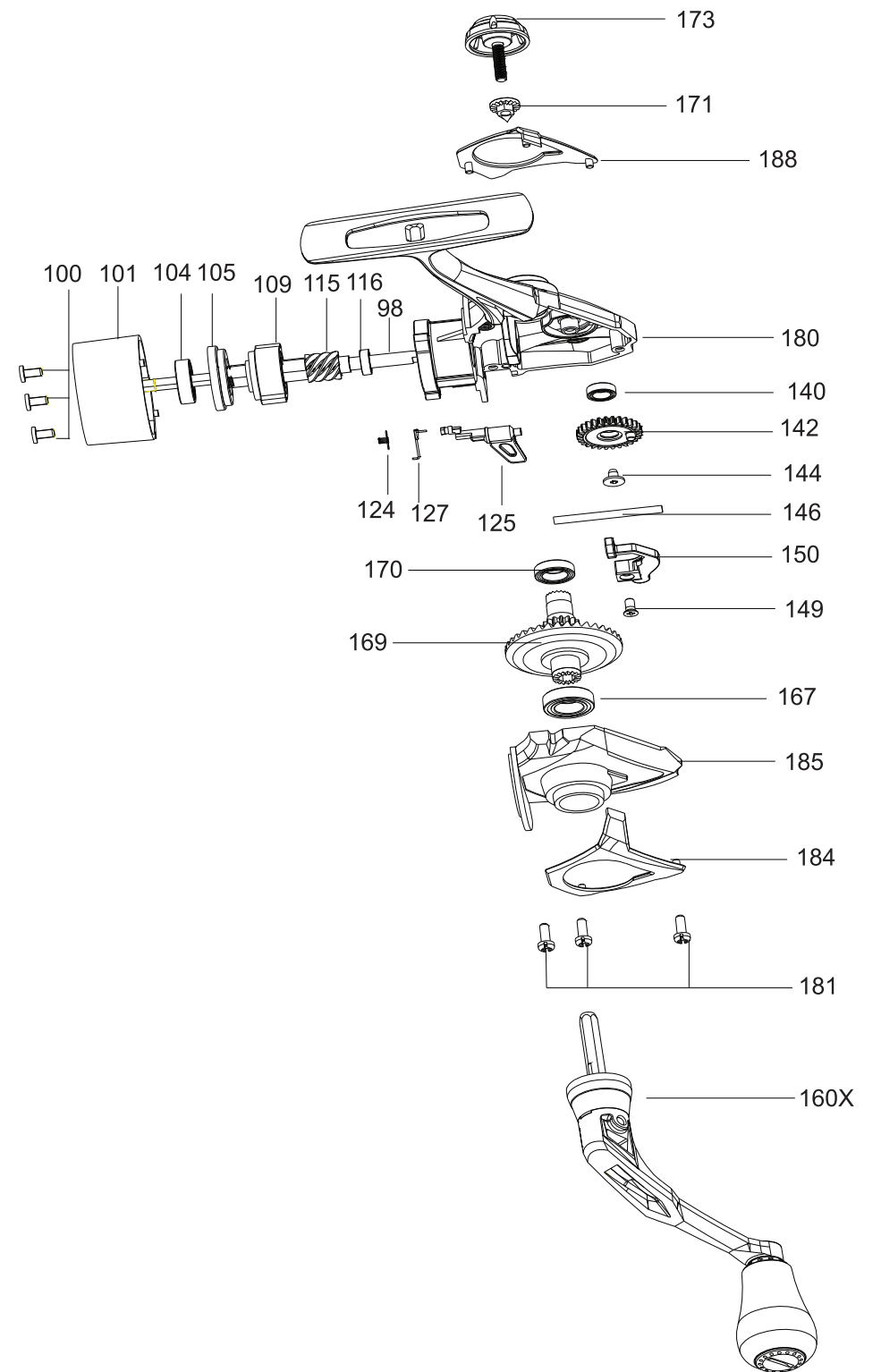
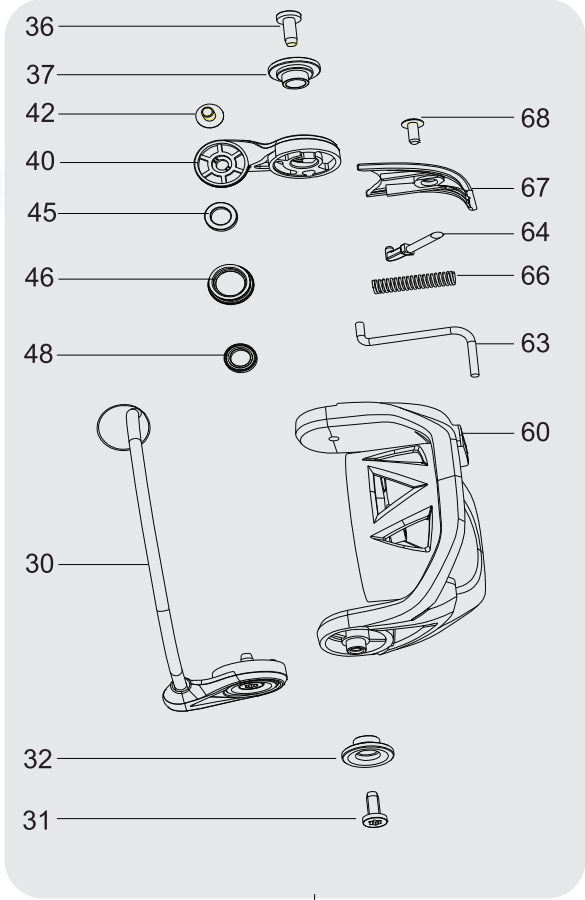
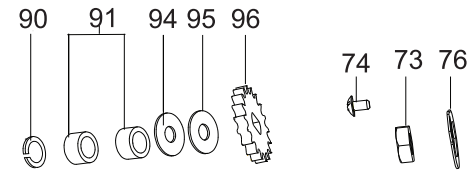
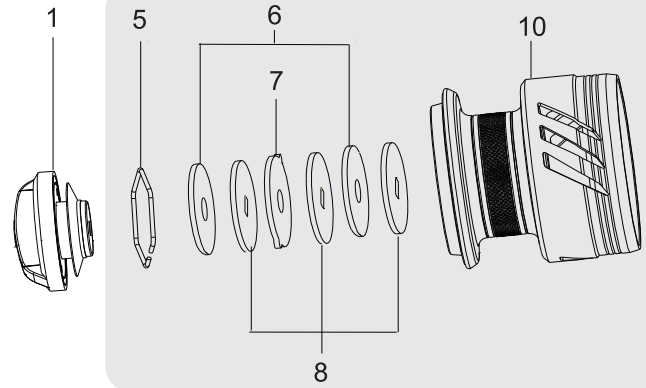
Continue to spool your reel as normal, keeping strong tension on the line to ensure the line is firmly wound onto the spool to keep from "digging in" to underlying line layers when pressure is put on the line from fighting fish.

FAILURE TO PROPERLY SPOOL BRAIDED LINE ONTO YOUR REELS SPOOL WILL RESULT IN LINE SLIPPAGE, AND THE IMPRESSION YOUR DRAG IS NOT WORKING PROPERLY.



Mach²

MH2-100A, MH2-200A,
MH2-300A, MH2-400A



KEY#	PART NAME	KEY#	PART NAME	KEY#	PART NAME
1	DRAG KNOB ASSEMBLY (FD)	67	ROTOR COVER (A)	140	OSCILLATION GEAR BALL BEARING
5	RETAINING RING	68	ROTOR COVER SCREW (A1)	142	OSCILLATION GEAR
6	KEYED DRAG WASHER (2)	73	ROTOR NUT WASHER	144	OSCILLATION GEAR SCREW
7	EARED DRAG WASHER	74	ROTOR LOCK SCREW	146	SLIDER GUIDE PIN
8	DRAG WASHER (3)	76	ROTOR NUT WASHER	149	SLIDER SHAFT SCREW
10	SPOOL	90	MAIN SHAFT STACK RETAINER	150	SLIDER
10X	SPOOL ASSEMBLY	91	BALL BEARING (2)	160X	HANDLE ASSY WITH 2 BALL BEARING
30	BAIL WIRE ASSEMBLY	94	LINE LAY SHIM	167	BALL BEARING (C1)
31	HOLDER SCREW	95	STACK WASHER	169	DRIVE GEAR
32	HOLDER SCREW COVER	96	CLICK GEAR	170	BALL BEARING (C2)
36	BAIL ARM SCREW	98	MAIN SHAFT	171	SPACER
37	BAIL ARM SCREW COVER	100	BODY HEAD COVER SCREW (3)	173	SCREW CAP
40	BAIL ARM	101	BODY HEAD COVER	180	BODY
42	BAIL SCREW	104	BALL BEARING	181	BODY SIDE PLATE SCREW (L1) (3)
45	LINE ROLLER BUSHING (L1)	105	BEARING HOLDER	184	SIDE COVER TRIM (L)
46	LINE ROLLER	109	ONE WAY CLUTCH BEARING	185	BODY SIDE PLATE (L)
48	LINE ROLLER BALL BEARING (L2)	115	PINION GEAR	188	BODY SIDE PLATE (R)
60	ROTOR	116	PINION BUSHING		
63	TRIP BAR	124	A/R PAWL SPRING		
64	TRIP LINKAGE	125	A/R STUD		
66	BAIL SPRING	127	A/R STEM SPRING		

If you're looking for quality fishing gear & accessories, visit our website.