



SPEED SPIN®

SS10HS, SS20HS,
SS30HS, SS40HS

**Driven by innovation –
Fueled with Passion
Feel the Difference!**



Reel Specifications:

Model	Bearing	Weight (oz.)	Max Drag (lb)	Gear Ratio	Line Capacity (yd./lb.)	RPT*
SS10HS	6+1	7.4	7	5.2:1	90/6	23"
SS20HS	9+1	9.1	9	6.2:1	145/8	32"
SS30HS	9+1	9.4	13	6.2:1	145/10	35"
SS40HS	9+1	10.3	15	6.2:1	185/12	38"

*Recovery per turn.

FEATURES:

- Rugged lightweight graphite body and skeletal rotor
- Premium 10-bearing system with Zero Reverse® one-way clutch bearing (SS10HS 7-bearing system)
- Double anodized ported knurled aluminum spool
- Speed Lube® for exceptional smoothness
- Fold down aluminum handle with Combat Grip® paddle
- Adjustable for right or left hand retrieve

Lew's One Year Limited Warranty

For complete warranty information and registration go to lews.com/warranties

Maintenance and Care

While applying lubricant to your Speed Spin® reel, avoid using multi-purpose oil. Use lightweight silicone based oils or greases made for fishing reels. Apply oil to all bearings and the main shaft. Apply grease to the bushings, pinion gears and main gears.

After usage your reel should be inspected for dirt or sand and cleaned if excessive buildup is present. If your reel has come in contact with saltwater it is important to flush all parts with water, dry and re-lubricate your reel. Through diligent cleaning and maintenance your Lew's® reel will provide you with years of reliability and sound performance.

ATTENTION BRAIDED LINE USERS!

If your Lew's® Spinning reel has a knurled spool or rubber arbor (designed for tying braided line directly to the spool), you can tie braid directly to your spool using a uni-knot.

If your Lew's® spinning reel does not have a knurled spool or rubber arbor, you will need to first tie on and spool at least 20 revolutions of monofilament line, with either a back-to-back uni-knot or an Albright knot.

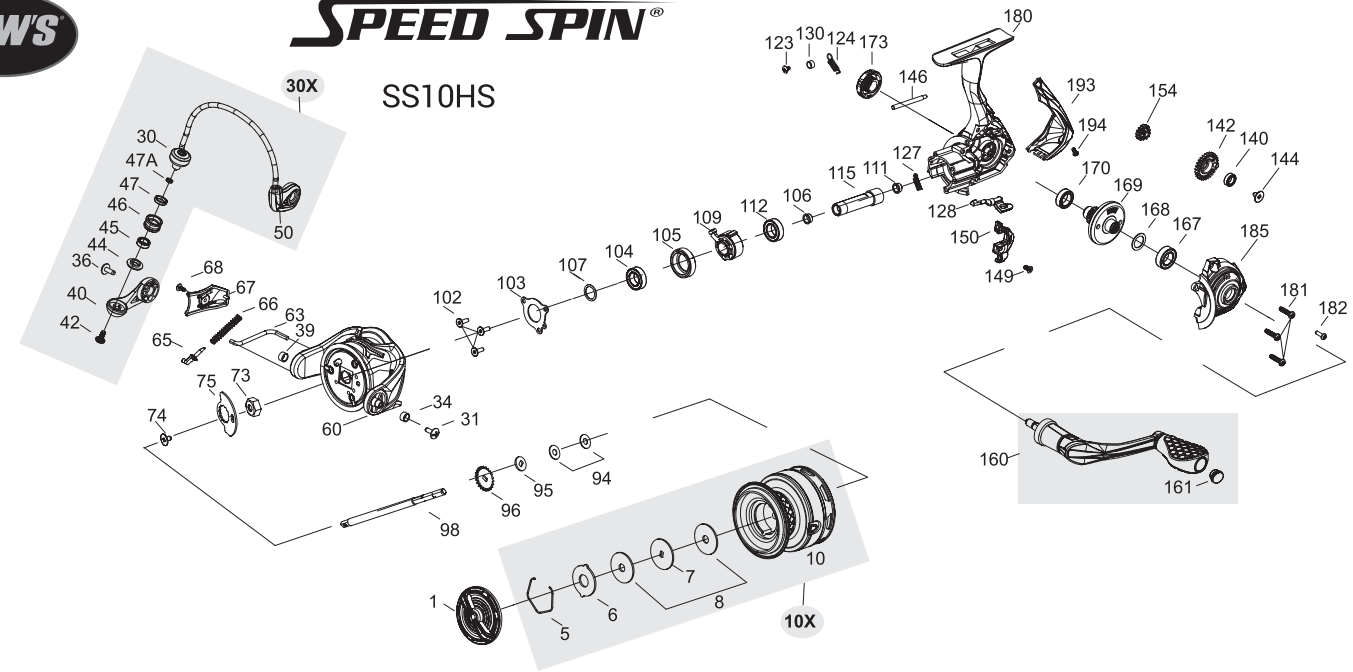
Continue to spool your reel as normal, keeping strong tension on the line to ensure the line is firmly wound onto the spool to keep from "digging in" to underlying line layers when pressure is put on the line from fighting fish.

FAILURE TO PROPERLY SPOOL BRAIDED LINE ONTO YOUR REELS SPOOL WILL RESULT IN LINE SLIPPAGE, AND THE IMPRESSION YOUR DRAG IS NOT WORKING PROPERLY.



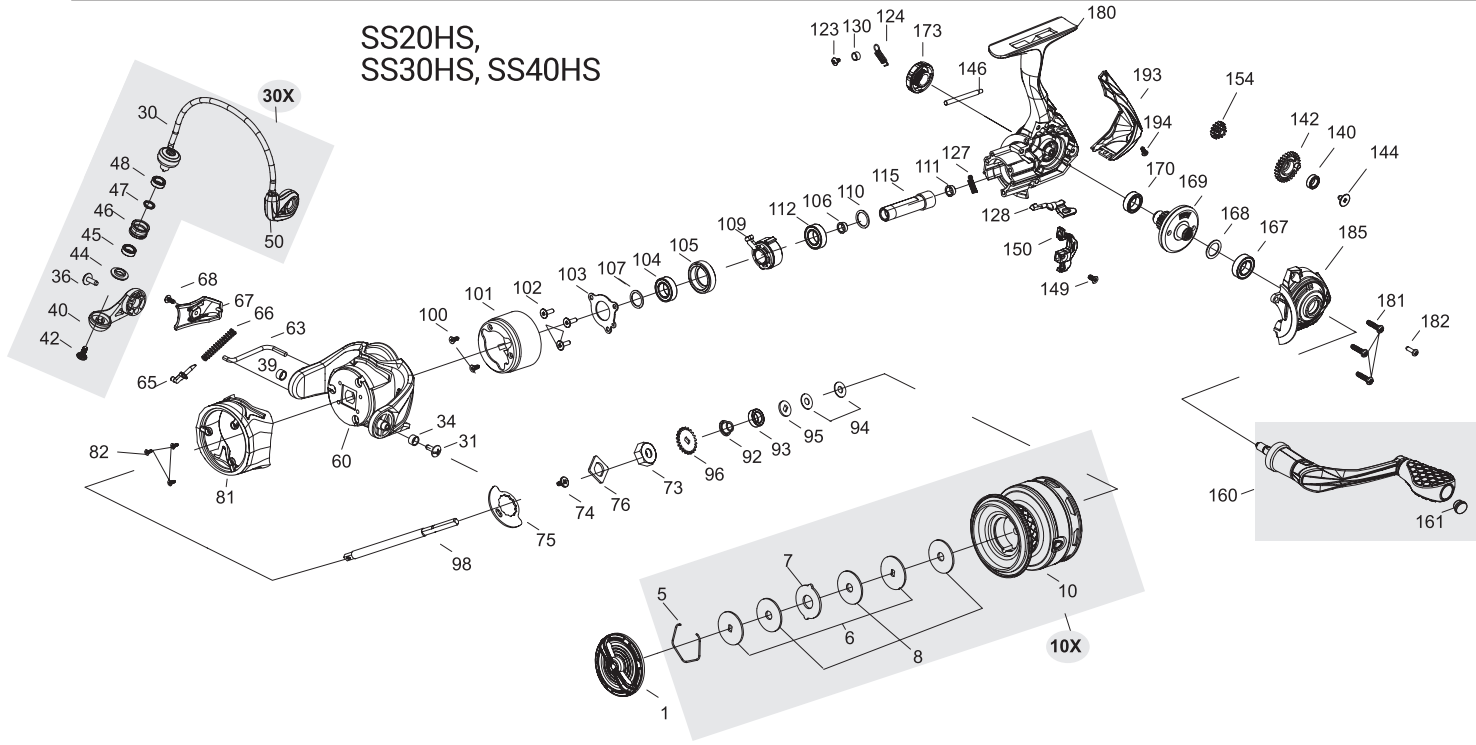
SPEED SPIN®

SS10HS



KEY #	PARTS NAME	KEY #	PARTS NAME	KEY #	PARTS NAME	KEY #	PARTS NAME
1	Drag Knob Assembly	48	Line Roller Bearing (L2)	98	Main Shaft	142	Oscillation Gear
5	Retining Ring	48A	Bushing Spacer	100	Body Head Cover Screw (x2)	144	Oscillation Gear Screw
6	Keyed Drag Washer	50	Bail Holder	101	Body Head Cover (x2)	146	Slider Guide Pin
7	Eared Drag Washer	60	Rotor	102	Bearing Cover Screw (x3)	149	Slider Shaft Screw
8	Drag Washer	63	Trip Bar	103	Bearing Cover	150	Slider
10	Spool	65	Bail Slider	104	Bearing	154	Reduction Gear
10X	Spool Assembly	66	Bail Spring	105	Bearing Holder	160X	Crank Handle Assembly (1-bearing SS20HS-SS40HS)
30	Bail Wire	67	Rotor Cover (A)	106	Spacer	161	Paddle Cap
30X	Bail Wire Assembly	68	Rotor Cover Screw (A1)	107	Washer	167	Bearing (C1)
31	Holder Screw	73	Rotor Nut	109	One-way Clutch Bearing	168	Shim Washer
34	Holder Bushing	74	Rotor Lock Screw	110	Washer	169	Drive Gear
36	Bail Arm Screw	75	Rotor Nut Retainer	111	Spacer	170	Bearing (C2)
39	Bail Arm Bushing	76	Rotor Nut Washer	112	Bearing (M3)	173	Handle Cap
40	Bail Arm	81	Rotor Trim	115	Pinion Gear	180	Body
42	Bail Screw	82	Rotor Trim Screw (x3)	123	A/R Stud Screw	181	Body Side Plate Screw (L1) (x3)
44	Line Roller Spacer	92	Spacer	124	A/R Pawl Spring	182	Body Side Plate Screw (L2)
45	Line Roller Bearing (LR1)	93	Ball Bearing	127	A/R Stem Spring	185	Body Side Plate (I)
46	Line Roller	94	Line Lay Shim (x2)	128	A/R Lever	193	Rear Cover Trim
47	Bail Washer	95	Stack Washer	130	A/R Pawl Bearing	194	Rear Cover Trim Screw (BT1)
47A	Bushing	96	Click Ring	140	Oscillation Gear Bearing		

SS20HS, SS30HS, SS40HS



If you're looking for quality fishing gear & accessories, visit our website.