



SPEED CAST
SPINCAST
SSC1, SSC2

Driven by innovation –
Fueled with Passion
Feel the Difference!



Reel Specifications

Model	Weight (oz.)	Gear Ratio	Line Capacity (yd./lb.)	RPT*
SSC1	5.6	4.4:1	125/4	18"
SSC2	6.7	4.4:1	100/6	24"

*Recovery per turn.

FEATURES:

- 2-bearing system
- Aluminum cone
- Smooth, easily adjustable drag system. Turn the dial towards (+) for more drag and towards (-) for less
- Dual stainless steel line pick up pins
- Combat Grip® thumb bar and paddle knob
- Speed Lube® for exceptional smoothness and uninterrupted performance in all weather
- Adjustable for Right or Left hand retrieve

Maintenance and Care

While applying lubricant to your Speed Cast® reel, avoid using multi-purpose oil. Use lightweight silicone based oils or greases made for fishing reels. Apply oil to all bearings and the main shaft. Apply grease to the bushings, pinion gears and main gears.

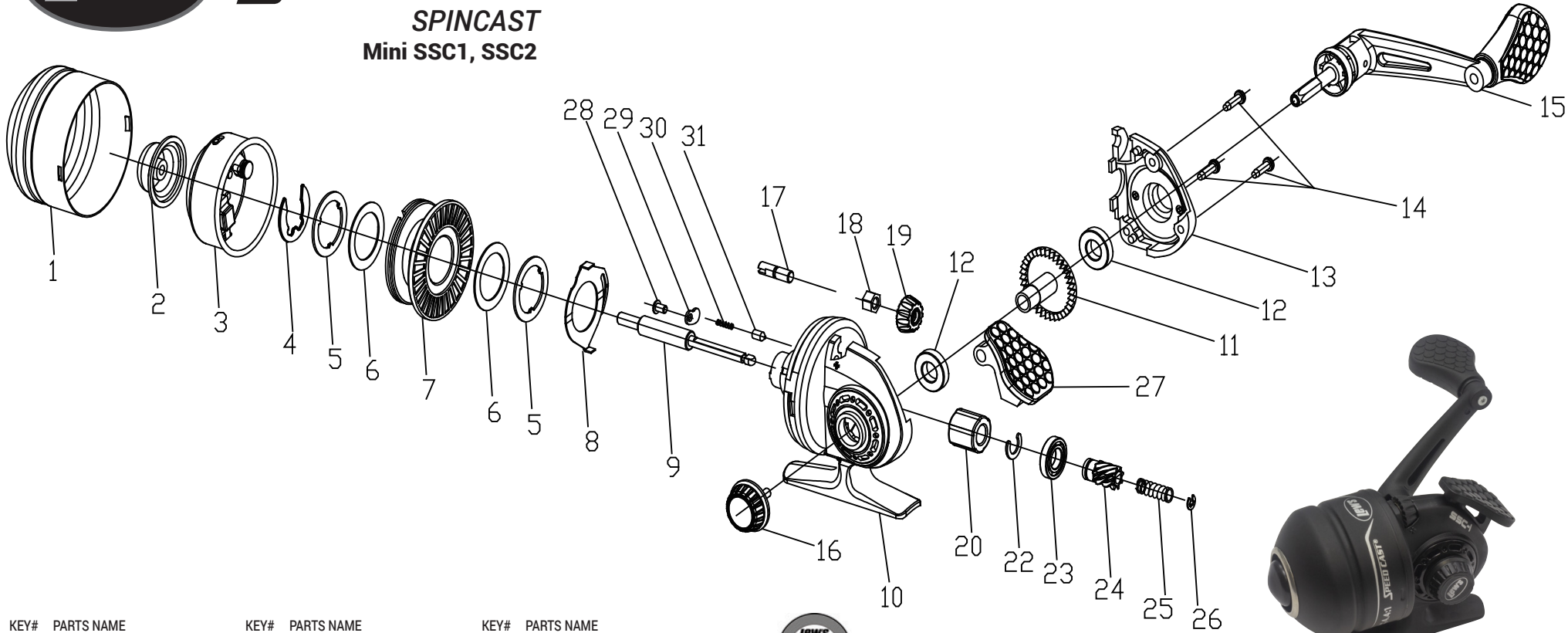
After usage your reel should be inspected for dirt or sand and cleaned if excessive buildup is present. If your reel has come in contact with saltwater it is important to flush all parts with water, dry and re-lubricate your reel. Through diligent cleaning and maintenance your Lew's® reel will provide you with years of reliability and sound performance.



SPEED CAST

SPINCAST

Mini SSC1, SSC2



- KEY# PARTS NAME
- 1 CONE ASSEMBLY
- 2 ROTOR CAP
- 3 ROTOR ASSEMBLY
- 4 SPOOL CLIP
- 5 DRAG SQUARED WASHER-2
- 6 DRAG WASHER-2
- 7 SPOOL ASSEMBLY
- 8 CLICK SPRING PLATE
- 9 MAINSHAFT
- 10 BODY

- KEY# PARTS NAME
- 11 MAIN GEAR
- 12 MAIN GEAR BUSHING-2
- 13 SIDE COVER
- 14 SIDE COVER SCREW-3
- 15 HANDLE ASSEMBLY
- 16 HANDLE NUT
- 17 DRAG SCREW
- 18 DRAG NUT
- 19 DRAG DIAL
- 20 ONE-WAY CLUTCH BEARING

- KEY# PARTS NAME
- 22 PINION CLIP
- 23 PINION BALL BEARING
- 24 PINION
- 25 MAINSHAFT SPRING
- 26 E-CLIP
- 27 PUSH BUTON
- 28 CLICK SPRING COVER SCREW
- 29 CLICK SPRING COVER
- 30 CLICK SPRING
- 31 CLICK METAL BALL

