



TEAM LEW'S®
Custom Pro
SPEED SPIN®

TLC1000

Driven by innovation –
Fueled with Passion
Feel the Difference!



Reel Specifications

Model	Weight (oz.)	Max Drag (lb)	Gear Ratio	Line Capacity (yd./lb.)	RPT*
TLC1000	7.2	8	5.2:1	90/6	25"

*Recovery per turn.

FEATURES:

- Strong and lightweight aluminum body and sideplate
- High strength and lightweight C60 Carbon skeletal speed rotor with aluminum bail wire
- Premium 12-stainless steel bearing system includes Zero Reverse one-way clutch bearing
- Lightweight double anodized braid ready knurled aluminum spool
- High strength Speed Gears™ with strong, lightweight aluminum pinion cut on precision Hamai CNC gear hobbing machines
- Durable stainless steel main shaft
- Smooth sealed carbon fiber drag system
- Aluminum handle with Winn® Dr-Tac knob
- Speed Lube for exceptional smoothness and uninterrupted performance in all weather conditions from extreme heat to freezing cold
- Adjustable for left or right hand retrieve

Maintenance and Care

While applying lubricant to your Speed Spin® reel, avoid using multi-purpose oil. Use lightweight silicone based oils or greases made for fishing reels. Apply oil to all bearings and the main shaft. Apply grease to the bushings, pinion gears and main gears.

After usage your reel should be inspected for dirt or sand and cleaned if excessive buildup is present. If your reel has come in contact with saltwater it is important to flush all parts with water, dry and re-lubricate your reel. Through diligent cleaning and maintenance your Lew's® reel will provide you with years of reliability and sound performance.

ATTENTION BRAIDED LINE USERS!

If your Lew's® Spinning reel has a knurled spool or rubber arbor (designed for tying braided line directly to the spool), you can tie braid directly to your spool using a uni-knot.

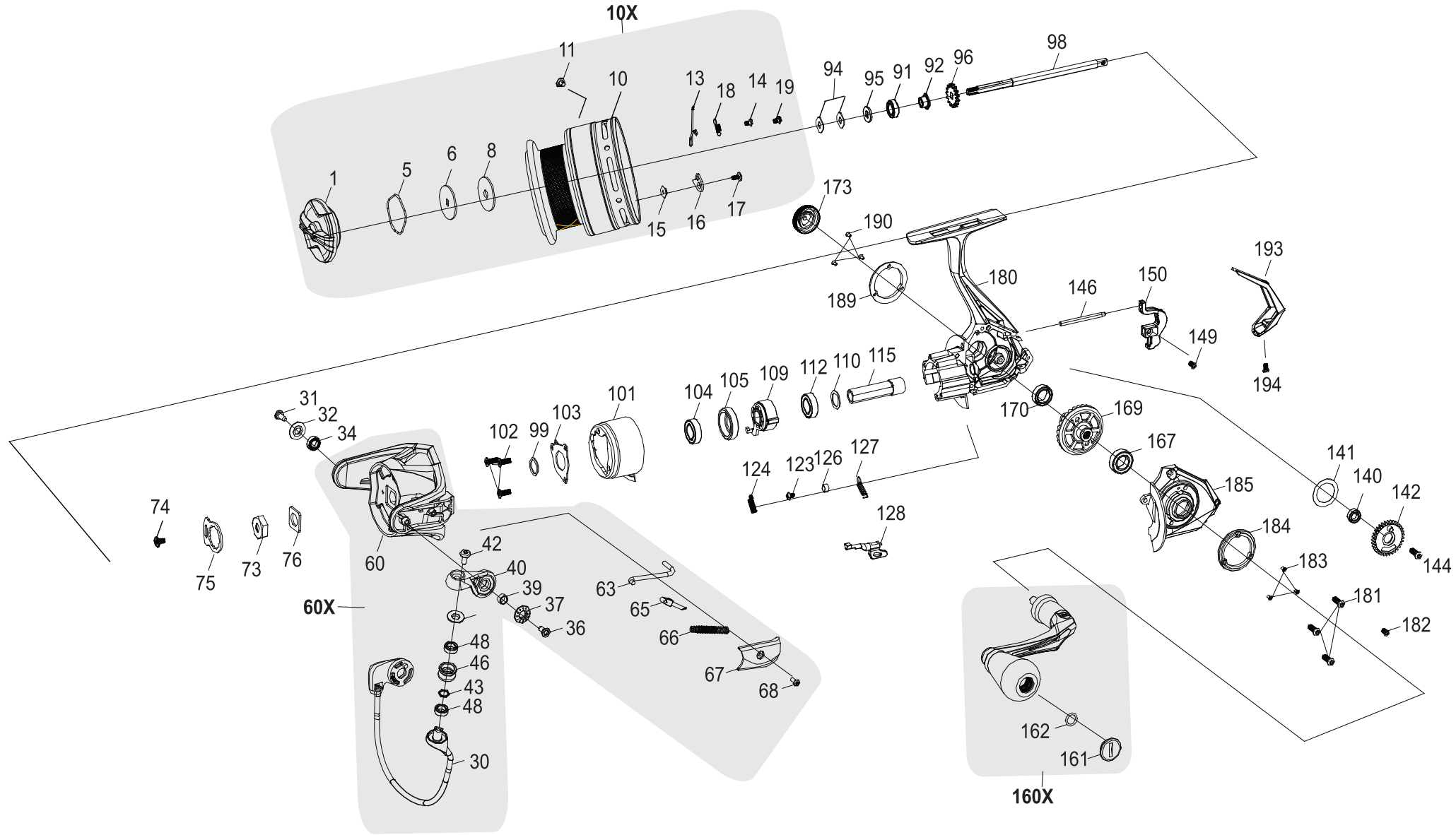
If your Lew's® spinning reel does not have a knurled spool or rubber arbor, you will need to first tie on and spool at least 20 revolutions of monofilament line, with either a back-to-back uni-knot or an Albright knot.

Continue to spool your reel as normal, keeping strong tension on the line to ensure the line is firmly wound onto the spool to keep from "digging in" to underlying line layers when pressure is put on the line from fighting fish.

FAILURE TO PROPERLY SPOOL BRAIDED LINE ONTO YOUR REELS SPOOL WILL RESULT IN LINE SLIPPAGE, AND THE IMPRESSION YOUR DRAG IS NOT WORKING PROPERLY.



TEAM LEW'S® Custom Pro *SPEED SPIN*® TLC1000



KEY#	PART NAME	KEY#	PART NAME	KEY#	PART NAME
1	DRAG KNOB ASSEMBLY	65	BAIL SLIDER	141	OSCILLATION GEAR WASHER
5	RETAINING RING	66	BAIL SPRING	142	OSCILLATION GEAR
6	KEYED DRAG WASHER	67	BAIL ARM CAP	144	OSCILLATION GEAR SCREW
8	DRAG WASHER	68	BAIL ARM COVER SCREW (A)	146	SLIDER GUIDE PIN
10	SPOOL	73	ROTOR NUT	149	SLIDER SHAFT SCREW
10X	SPOOL ASSEMBLY	74	ROTOR LOCK SCREW	150	SLIDER
11	LINE CLIP	75	ROTOR NUT RETAINER	160	HANDLE
13	LINE CLIP RETAINER	76	ROTOR NUT WASHER	160X	HANDLE ASSEMBLY (2 BEARINGS)
14	LINE CLIP RETAINER SCREW	91	BEARING	161	HANDLE KNOB CAP
15	CLICK WASHER	92	SPACER	162	HANDLE KNOB CAP SEAL
16	CLICK DOG	94	LINE LAY SHIM	167	BEARING
17	CLICK DOG SCREW	95	STACK WASHER	169	DRIVE GEAR
18	CLICK SPRING	96	CLICK RING/GEAR	170	BEARING
19	CLICK SPRING SCREW	98	MAIN SHAFT	173	HANDLE SCREW CAP
30	BAIL WIRE	99	ROTOR SHIM	180	BODY
30X	BAIL ASSEMBLY	100	BODY HEAD COVER SCREW	181	BODY SIDEPLATE SCREW (L1)
31	HOLDER SCREW/PIN	101	BODY HEAD COVER	182	BODY SIDEPLATE SCREW (L2)
32	HOLDER SCREW COVER	102	BODY HEAD COVER SCREW	183	SIDE COVER TRIM SCREW (L3)
34	BEARING	103	BEARING COVER	184	SIDE COVER TRIM (L)
36	BAIL ARM SCREW PIN	104	BEARING	185	BODY SIDEPLATE (L)
37	BAIL ARM SCREW COVER	105	BEARING HOLDER	189	SIDE COVER TRIM
39	BAIL ARM BUSHING	109	ONE-WAY CLUTCH BEARING	190	SIDE COVER TRIM SCREW (R3)
40	BAIL ARM	110	WASHER	193	REAR COVER TRIM
42	BAIL SCREW	112	BEARING	194	REAR COVER TRIM SCREW (A)
43	LINE ROLLER WASHER	115	PINION GEAR		
44	LINE ROLLER SPACER	123	ANTI-REVERSE STUD SCREW		
46	LINE ROLLER	124	ANTI-REVERSE PAWL SPRING		
48	LINE ROLLER BEARING (2)	126	ANTI-REVERSE STEM SEAL RING		
60	ROTOR	127	ANTI-REVERSE STEM SPRING		
60X	ROTOR ASSEMBLY	128	ANTI-REVERSE LEVER		
63	TRIP BAR	140	OSCILLATION GEAR BEARING		





TEAM LEW'S
Custom Pro
SPEED SPIN®

TLC2000, TLC3000, TLC4000

**Driven by innovation –
 Fueled with Passion
 Feel the Difference!**



SPEED GEARS

**HS
 6.2:1
 HIGH SPEED**

Reel Specifications

Model	Weight (oz.)	Max Drag (lb)	Gear Ratio	Line Capacity (yd./lb.)	RPT*
TLC2000	8.8	20	6.2:1	160/8	32"
TLC3000	9.0	22	6.2:1	160/10	34"
TLC4000	10.1	24	6.2:1	190/12	37"

*Recovery per turn.

FEATURES:

- Strong and lightweight aluminum body and sideplate
- High strength and lightweight C60 Carbon skeletal speed rotor with aluminum bail wire
- Premium 12-stainless steel bearing system includes Zero Reverse one-way clutch bearing
- Lightweight double anodized braid ready knurled aluminum spool
- High strength Speed Gears™, cut on precision Hamai CNC gear hobbing machines
- Durable stainless steel main shaft
- Smooth sealed carbon fiber drag system
- Aluminum handle with Winn® Dr-Tac knob
- Speed Lube for exceptional smoothness and uninterrupted performance in all weather conditions from extreme heat to freezing cold
- Adjustable for left or right hand retrieve

Maintenance and Care

While applying lubricant to your Speed Spin® reel, avoid using multi-purpose oil. Use lightweight silicone based oils or greases made for fishing reels. Apply oil to all bearings and the main shaft. Apply grease to the bushings, pinion gears and main gears.

After usage your reel should be inspected for dirt or sand and cleaned if excessive buildup is present. If your reel has come in contact with saltwater it is important to flush all parts with water, dry and re-lubricate your reel. Through diligent cleaning and maintenance your Lew's® reel will provide you with years of reliability and sound performance.

ATTENTION BRAIDED LINE USERS!

If your Lew's® Spinning reel has a knurled spool or rubber arbor (designed for tying braided line directly to the spool), you can tie braid directly to your spool using a uni-knot.

If your Lew's® spinning reel does not have a knurled spool or rubber arbor, you will need to first tie on and spool at least 20 revolutions of monofilament line, with either a back-to-back uni-knot or an Albright knot.

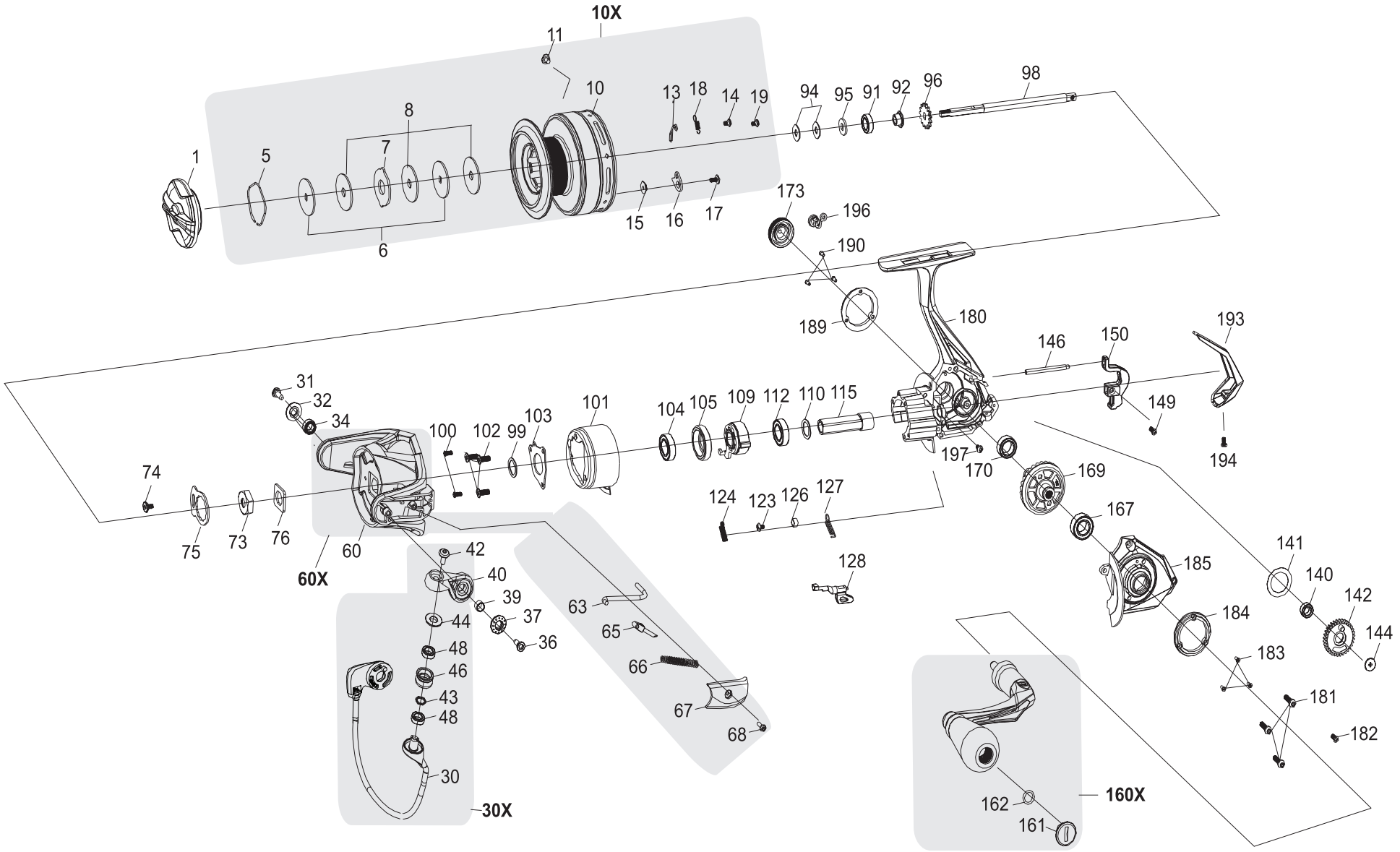
Continue to spool your reel as normal, keeping strong tension on the line to ensure the line is firmly wound onto the spool to keep from "digging in" to underlying line layers when pressure is put on the line from fighting fish.

FAILURE TO PROPERLY SPOOL BRAIDED LINE ONTO YOUR REELS SPOOL WILL RESULT IN LINE SLIPPAGE, AND THE IMPRESSION YOUR DRAG IS NOT WORKING PROPERLY.



TEAM LEW'S Custom Pro SPEED SPIN[®] TLC2000, TLC3000, TLC4000

KEY#	PART NAME	KEY#	PART NAME	KEY#	PART NAME
1	DRAG KNOB ASSEMBLY	63	TRIP BAR	140	OSCILLATION GEAR BEARING
5	RETAINING RING	65	BAIL SLIDER	141	OSCILLATION GEAR WASHER
6	KEYED DRAG WASHER	66	BAIL SPRING	142	OSCILLATION GEAR
7	EARED DRAG WASHER	67	BAIL ARM CAP	144	OSCILLATION GEAR SCREW
8	DRAG WASHER	68	BAIL ARM COVER SCREW (A)	146	SLIDER GUIDE PIN
10	SPOOL	73	ROTOR NUT	149	SLIDER SHAFT SCREW
10X	SPOOL ASSEMBLY	74	ROTOR LOCK SCREW	150	SLIDER
11	LINE CLIP	75	ROTOR NUT RETAINER	160	HANDLE
13	LINE CLIP RETAINER	76	ROTOR NUT WASHER	160X	HANDLE ASSEMBLY (2 BEARINGS)
14	LINE CLIP RETAINER SCREW	91	BEARING	161	HANDLE KNOB CAP
15	CLICK WASHER	92	SPACER	162	HANDLE KNOB CAP SEAL
16	CLICK DOG	94	LINE LAY SHIM	167	BEARING
17	CLICK DOG SCREW	95	STACK WASHER	169	DRIVE GEAR
18	CLICK SPRING	96	CLICK RING/GEAR	170	BEARING
19	CLICK SPRING SCREW	98	MAIN SHAFT	173	HANDLE SCREW CAP
30	BAIL WIRE	99	ROTOR SHIM	180	BODY
30X	BAIL ASSEMBLY	100	BODY HEAD COVER SCREW	181	BODY SIDEPLATE SCREW (L1)
31	HOLDER SCREW/PIN	101	BODY HEAD COVER	182	BODY SIDEPLATE SCREW (L2)
32	HOLDER SCREW COVER	102	BODY HEAD COVER SCREW	183	SIDE COVER TRIM SCREW (L3)
34	BEARING	103	BEARING COVER	184	SIDE COVER TRIM (L)
36	BAIL ARM SCREW PIN	104	BEARING	185	BODY SIDEPLATE (L)
37	BAIL ARM SCREW COVER	105	BEARING HOLDER	189	SIDE COVER TRIM
39	BAIL ARM BUSHING	109	ONE-WAY CLUTCH BEARING	190	SIDE COVER TRIM SCREW (R3)
40	BAIL ARM	110	WASHER	193	REAR COVER TRIM
42	BAIL SCREW	112	BEARING	194	REAR COVER TRIM SCREW (A)
43	LINE ROLLER WASHER	115	PINION GEAR	196	LUBE PORT CAP
44	LINE ROLLER SPACER	123	ANTI-REVERSE STUD SCREW	197	LUBE PORT CAP SCREW
46	LINE ROLLER	124	ANTI-REVERSE PAWL SPRING		
48	LINE ROLLER BEARING (2)	126	ANTI-REVERSE STEM SEAL RING		
60	ROTOR	127	ANTI-REVERSE STEM SPRING		
60X	ROTOR ASSEMBLY	128	ANTI-REVERSE LEVER		



If you're looking for quality fishing gear & accessories, visit our website.