



Amped Paddleboard

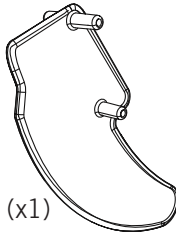
OWNER'S MANUAL

PARTS LIST

ID	Item Description	Qty	✓
	Amped Paddleboard	1	<input type="checkbox"/>
CXE	Adult Paddle	1	<input type="checkbox"/>
DNT	Fin	1	<input type="checkbox"/>

PARTS IDENTIFIER

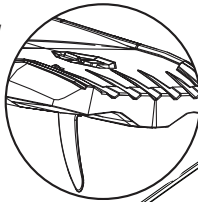
Parts not shown to scale



DNT (x1)
Fin

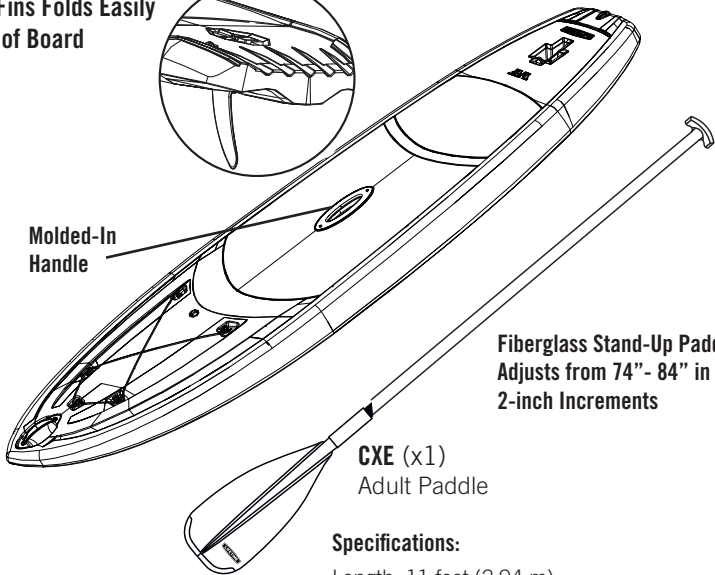
FEATURES

Collapsible Fins Folds Easily into Bottom of Board



Molded-In Handle

Handle for Easy Carry



**Fiberglass Stand-Up Paddle
Adjusts from 74" - 84" in
2-inch Increments**

CXE (x1)
Adult Paddle

Specifications:

Length: 11 feet (2,94 m)
Width: 32 inches (90,2 cm)
Weight: 47 lb. (18,1 kg)
Maximum Weight Capacity: 230 lb. (104,3 kg)

- EVA Deck Covering for Increased Traction
- UV-Protected Durable, High-Density Polyethylene (HDPE) Construction
- Design Provides Great Stability and Tracking

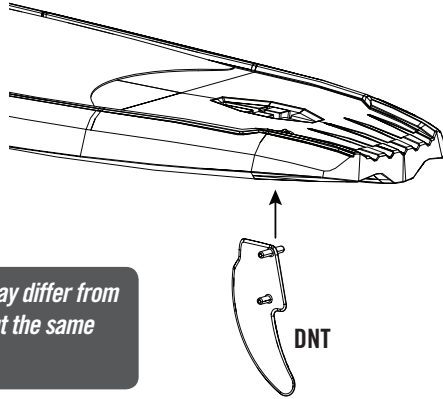
*Paddleboard included may vary from model shown.

SEC 1: Fin Installation

SEC

1.1

Slide the **Fin (DNT)** up from the bottom of the board. Make sure the fin is facing the direction shown.



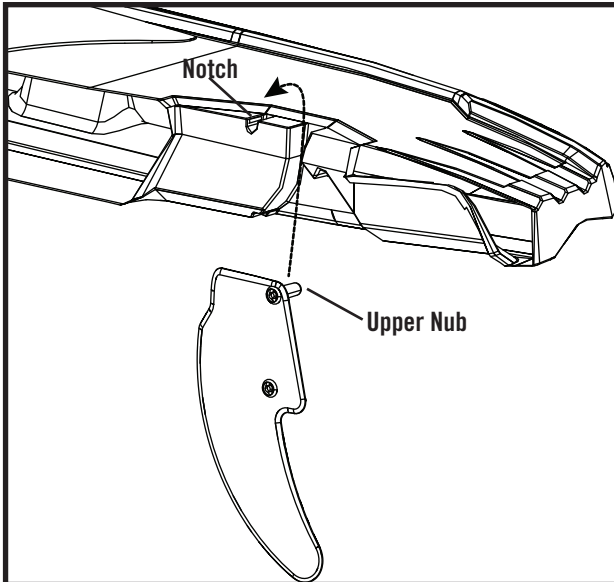
Note: Your Paddleboard may differ from the Paddleboard shown, but the same assembly steps will apply.

SEC

1.2

Press the Upper Nub into the notch on top of the Paddleboard. Make sure to apply firm pressure to the Fin until it pops into place.

Cross Section of a Paddleboard

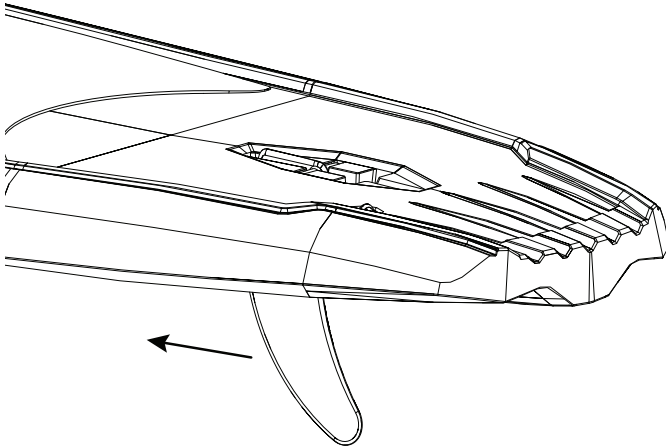


SEC 2: Fin Adjustment

SEC

2.1

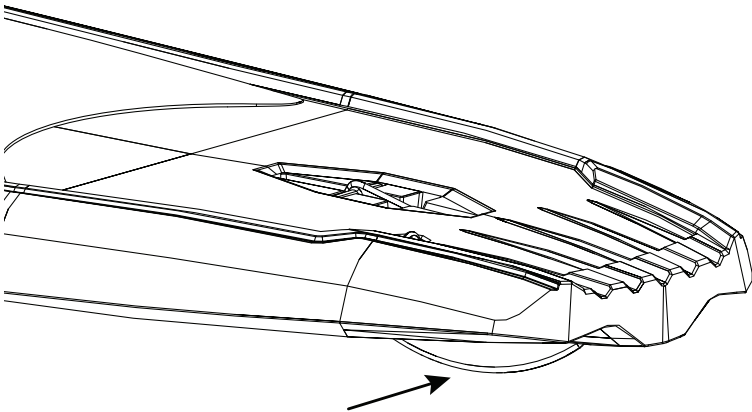
Press the fin forward when the Paddleboard is in use. The Lower Nub will pop into place.



SEC

2.2

Press the fin back up into the recess in the Paddleboard during storage and transportation. The Lower Nub will pop into place.



SEC 3: Paddle Adjustment

SEC

3.1

Before you begin, make sure your **Paddle (CXE)** is 8-10 inches taller than you. Your paddle has 5 adjustable height settings. By pushing the pins and sliding the paddle shaft, you can adjust your paddle to the desired height.



SEC 4: Mounting the Paddleboard

SEC

4.1

To mount your Paddleboard, start in at least knee-deep water. Stand alongside the board and place your Paddle across the deck of the paddleboard.



SEC

4.2

Hold the board by the rails and push yourself up into a kneeling position.



SEC 4: Mounting the Paddleboard

SEC

4.3

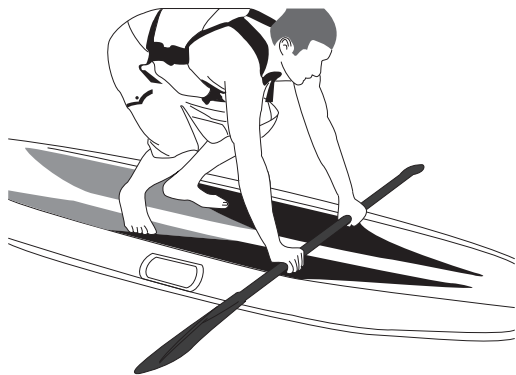
Make sure you are kneeling just behind the center point of the board. The nose should not pop out of the water and the tail should not dig in.



SEC

4.4

Keep your hands on either side of the board until you feel stable enough to slowly stand up. Place your feet where your knees were and stand up one foot at a time.

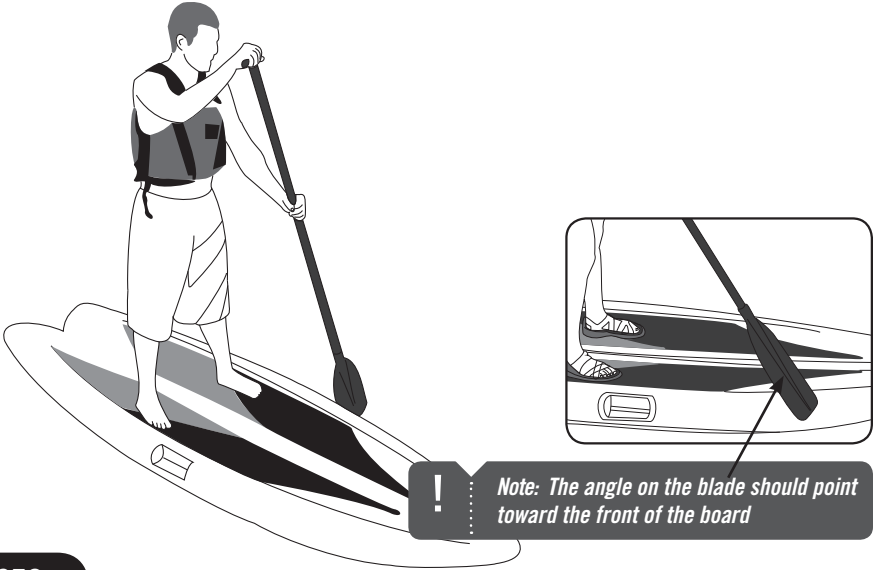


SEC 5: Paddling Basics

SEC

5.1

Your feet should be parallel, centered between the rails and about hip-width distance apart. Keep your toes pointed forward with your back straight and knees slightly bent. Your head and shoulders should be steady and upright. Try to keep your eye level with the horizon, and avoid staring at your feet. You should have one hand on the top grip and the other lower on the Paddle shaft.



SEC

5.2

Push down on the top paddle grip and twist from your torso as you paddle. Push the paddle blade completely under the surface, pull it back to your ankle, then lift it out of the water. If you are a beginner, keep your strokes fairly short and close to the side of the board.



SEC 5: Paddling Basics

SEC

5.3

To go in a straight line, paddle about 4 or 5 strokes on one side, then switch to the other. When you switch sides, you'll need to reverse hand positions.

If you wish to turn your board, simply paddle on one side until the nose turns in the direction you want to go. Another fast way to turn or change direction is to simply drag the paddle on one side or paddle backwards.



WARNING!



Paddle sports can be physically demanding and dangerous.

- Anyone using this water craft may be at risk of serious injury or death.
- Get certified training and know your limits before using this watercraft.
- This watercraft is intended for recreational use only.
- This watercraft is not intended for mechanical propulsion.
- Never use this watercraft in white water conditions.
- Never use this watercraft in rough or stormy water conditions.
- This watercraft is not intended to be used as a lifesaving device.
- Always wear a Coast Guard approved personal flotation vest.
- Do not allow minors to use this watercraft without adult supervision.
- Do not use in areas where dangerous or strong current flows can overcome your ability to control your direction or destination.
- Never use drugs or alcohol before or during operation of this watercraft.
- Always paddle with a buddy in case you require emergency help.
- Never use in cold water that may cause hypothermia.
- Always wear a helmet when appropriate.
- Check your equipment prior to each use for signs of wear or failure.
- Maximum occupancy 1 person.
- Maximum weight capacity 220 lb (100 kg).

CAUTION:

Never drag your paddleboard over rocks, asphalt, concrete or any abrasive surface. Permanent damage may occur and void your warranty.

CLEANING & CARE

Congratulations on your Lifetime® product purchase. By following the instructions below, your new Lifetime product should provide you with years of service and enjoyment.

Cleaning and Care

The Paddleboards are stain- and solvent-resistant. Most stains can be removed, using a mild soap and a soft-bristled brush. Abrasive cleaning materials may scratch the plastic and are not recommended. Avoid placing a direct heat source on or near surfaces unless using a heat barrier.

Helpful Tips For Your Paddleboard

- Always store your paddleboard out of direct sunlight when not in use. Your paddleboard is manufactured with UV-resistant color, but a paddleboard stored in direct sunlight will begin to color fade over long periods of time.
- Your new paddleboard is molded of high-density polyethylene resin. Clean up with mild soap and water is recommended periodically to keep your paddleboard looking new.
- Never drag any portion of the paddleboard over asphalt, rocky, sandy or abrasive surfaces.
- Do not stand or sit on your paddleboard when out of the water. This can cause damage to the board or fins.
- During regular use, it is normal to find small amounts of water inside the paddleboard. Carefully unscrew the black drain plug at the front of the paddleboard and tilt the board to let the water drain out. Secure the drain plug when finished.
- If your paddleboard has been exposed to hot sunlight, it is recommended to splash water on the board to cool the hot surface before it comes in direct contact with your skin.

LIFETIME 5-YEAR LIMITED FACTORY WARRANTY

LIFETIME PRODUCTS, INC. RESERVES THE RIGHT TO MAKE SUBSTITUTIONS TO WARRANTY CLAIMS IF PARTS ARE UNAVAILABLE OR OBSOLETE.

Your new kayak is warranted against defects in materials and workmanship for a period of five years (60 months) from the original purchase date. Lifetime Products, Inc. will repair or replace any kayak hull that should fail due to poor quality in materials or workmanship. A warranted kayak hull that is deemed to have failed due to misuse or abuse will not be covered by the warranty. This warranty does not cover normal wear by use, or abuse, alterations, unauthorized repairs, or use of the kayak in a manner other than intended by the manufacturer. Retain this warranty and Manufacturer's Certificate of Origin document with your original purchase receipt. Copies of these documents must be sent with any valid warranty claim. Please keep these documents in a safe, secure place. This warranty is in lieu of all other warranties expressed or implied, including warranties of merchantability or fitness for use. Neither Lifetime Products, Inc. nor any representative assumes any other liability in connection with this product. This warranty gives you specific legal rights, and you may also have other rights which vary from State to State.

Our goods come with guarantees that cannot be excluded under the Australian Consumer Law. You are entitled to a replacement or refund for a major failure and for compensation for any other reasonably foreseeable loss or damage. You are also entitled to have the goods repaired or replaced if the goods fail to be of acceptable quality and the failure does not amount to a major failure.

