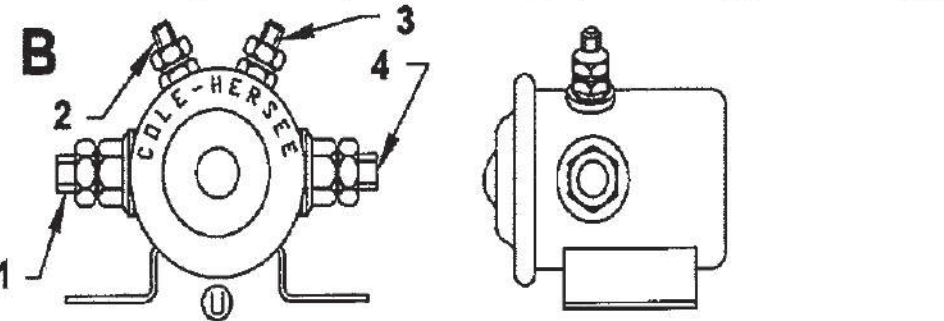
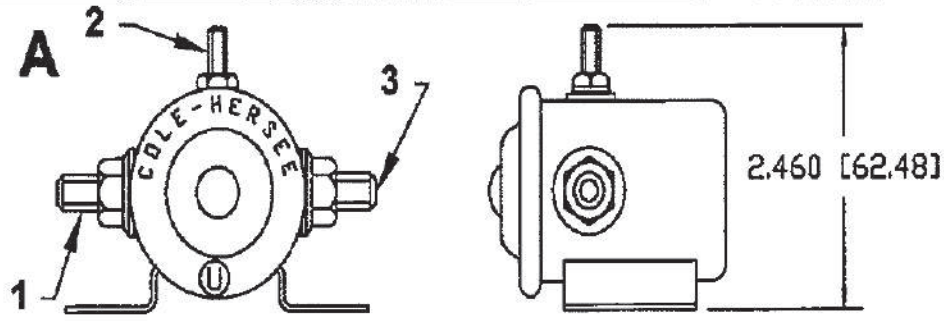
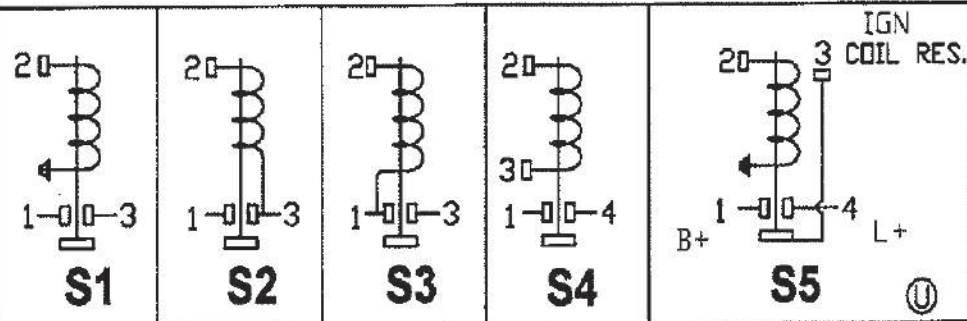


SOLENOID STYLE Ⓢ

SCALE 1/2:1



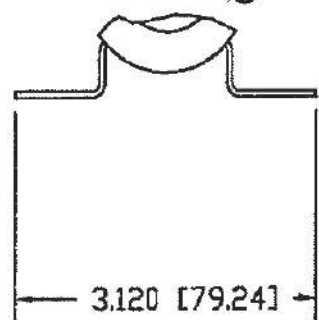
SOLENOID SCHEMATIC



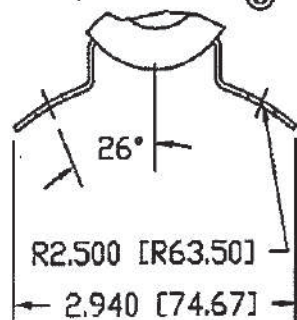
MOUNTING BRACKETS Ⓢ

SCALE 1/2:1

FLAT Ⓢ

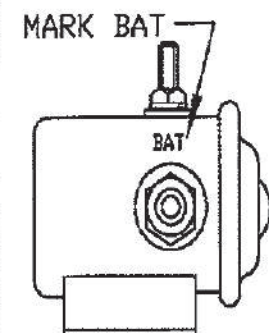
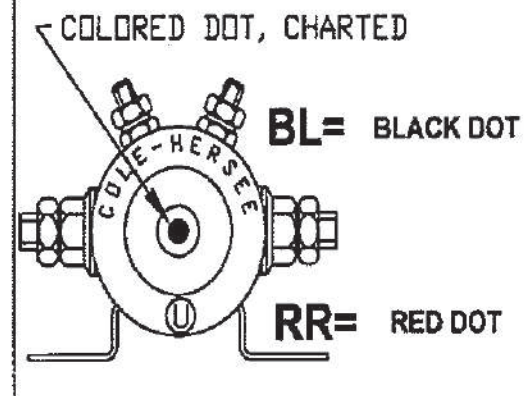
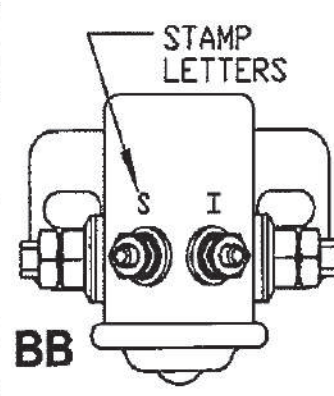
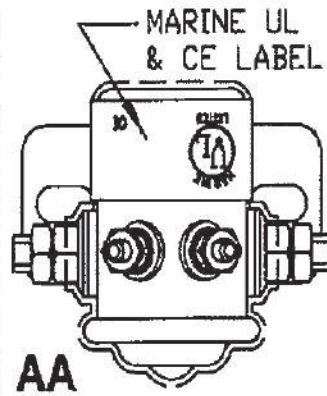


CURVED Ⓢ

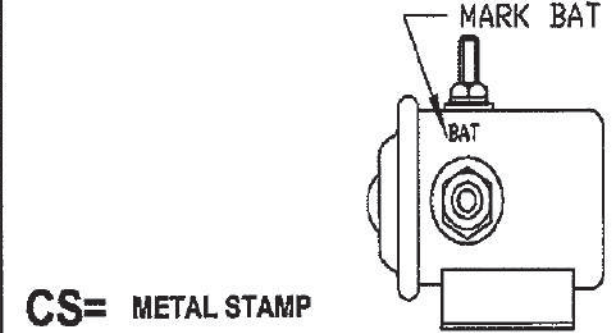


EXTERIOR MARKINGS Ⓢ

SCALE 1/2:1



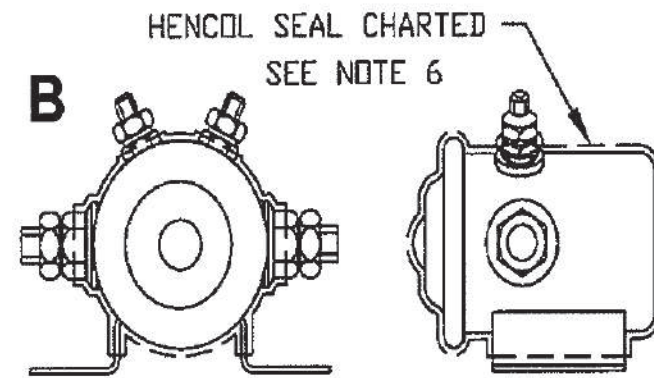
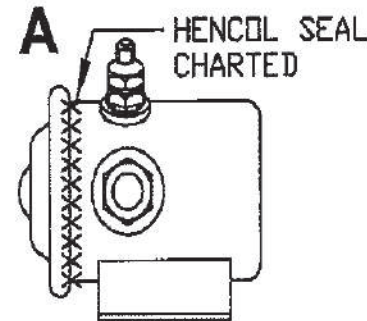
DS= METAL STAMP



CS= METAL STAMP

EXTERIOR SEALANT Ⓢ

SCALE 1/2:1



Revision Control Record

Revision Control Record

Rev.	Description of Change	ECN No.	Date	Rev.	Description of Change	ECN No.	Date
SEE PAGE 1 FOR REVISION NOTES							

Used On or Ref.:

Scale: 1:1

Drawn By: CF

Date Drawn: 4/1/66

Responsible Engineer: N/A

Pg. 2 of 5



Cole Hersee Co.

Description:

SOLENOID

Drawing / Part No.:


24008

Current Rev. SEE PAGE 1

24063-09	24	71	CONTINUOUS	4	B	E	INSULATED	FLAT	B	12	YES SEE NOTE A		S4	ASSEMBLED	A	
24063-08	24	71	CONTINUOUS	4	B	H	INSULATED	FLAT	B	12		AA	S4	ASSEMBLED	J	
24063-06	24	71	CONTINUOUS	4	B	E	INSULATED	FLAT	B	12			S4	ASSEMBLED	E	
24063-05	24	71	CONTINUOUS	4	B	E	INSULATED	FLAT					S4	ASSEMBLED		
24063-04	24	71	CONTINUOUS	4	B	E	INSULATED	FLAT	A	13	YES SEE NOTE A	RR	S4	ASSEMBLED	A	
24063-01	24	71	CONTINUOUS	4	B	E	INSULATED	FLAT			YES SEE NOTE B,C		S4	ASSEMBLED	B,C ⊕	
24063	24	71	CONTINUOUS	4	B	E	INSULATED	FLAT					S4	BAGGED		
24060	12	4.4	INTERMITTENT	3	A	B	INSULATED	FLAT				CS	S2	ASSEMBLED	K	
24059-16	12	17.5	CONTINUOUS	4	B	E	INSULATED	FLAT					S4	ASSEMBLED	Ⓛ	
24059-15	12	17.5	CONTINUOUS	4	B	E	INSULATED	FLAT	B	20	YES SEE NOTE A		S4	ASSEMBLED	A,K	
24059-12	12	17.5	CONTINUOUS	4	B	E	INSULATED	FLAT	A	13	YES SEE NOTE A		S4	ASSEMBLED	A	
24059-10	12	17.5	CONTINUOUS	4	B	E	INSULATED	FLAT	A	13	YES SEE NOTE A		S4	ASSEMBLED	A,K	
24059-09	12	17.5	CONTINUOUS	4	B	E	INSULATED	FLAT					S4	ASSEMBLED	K	
24059-08	12	17.5	CONTINUOUS	4	B	G	INSULATED	FLAT				AA	S4	ASSEMBLED	J	
24059	12	17.5	CONTINUOUS	4	B	E	INSULATED	FLAT					S4	BAGGED	Ⓛ	
24055	6	1.6	INTERMITTENT	3	A	B	INSULATED	FLAT				CS	S2	ASSEMBLED	K	
24047-05	12	4.5	INTERMITTENT	4	B	B	INSULATED	FLAT					S4		D,K	
24047-03	12	4.4	INTERMITTENT	4	B	B	INSULATED	FLAT			YES SEE NOTE B		S4	ASSEMBLED	B,K	
24047	12	4.4	INTERMITTENT	4	B	B	INSULATED	FLAT					S4	BAGGED	K	
24046	12	4.4	INTERMITTENT	3	A	B	INSULATED	FLAT				DS	S3	ASSEMBLED	K	
24044	12	4.4	INTERMITTENT	3	A	B	GROUNDING	CURVED					S1	BAGGED	K	
24043	6	1.6	INTERMITTENT	4	B	B	INSULATED	FLAT					S4	ASSEMBLED	K	
24041	6	1.6	INTERMITTENT	3	A	B	GROUNDING	FLAT					S1	ASSEMBLED	K	
24039	6	1.6	INTERMITTENT	3	A	B	GROUNDING	CURVED					S1	Ⓛ BAGGED	K	
24037-03	12	4.4	INTERMITTENT	3	A	B	GROUNDING	FLAT	A	13	YES SEE NOTE A		S1	ASSEMBLED	A,K	
24037	12	4.4	INTERMITTENT	3	A	B	GROUNDING	FLAT					S1	BAGGED	K	
24008-02	24	29	INTERMITTENT	4	B	A	INSULATED	FLAT	B	19	YES SEE NOTE B,C		S4	ASSEMBLED	B,C,K	
24008	24	29	INTERMITTENT	4	B	A	INSULATED	FLAT					S4	ASSEMBLED	K	
PART NO	V DC	OHMS	DUTY CYCLE	#	STUDS	SOL. STYLE	CONTACT RATINGS	COIL TYPE	BRACKET STYLE	LOC. EXTR. SEALANT	TYPE	INTR. ⊕ SEALANT	EXTR MARKINGS	SLNOID SCHEM.	HARDWARE NOTE 5	ADDITIONAL NOTES

Revision Control Record				Revision Control Record			
Rev.	Description of Change	ECN No.	Date	Rev.	Description of Change	ECN No.	Date
SEE PAGE 1 FOR REVISION NOTES							

Used On or Ref.: Scale: 1:1 Drawn By: CF Date Drawn: 4/1/66 Responsible Engineer: N/A Pg. 3 of 5



Cole Hersee Co.

Description: **SOLENOID**


Drawing / Part No.: **24008** Current Rev. **SEE PAGE 1**

PART NO	V DC	OHMS	DUTY CYCLE	# STUDS	SOL. STYLE	CONTACT RATINGS	COIL TYPE	BRACKET STYLE	LOC. EXTR.	TYPE SEALANT	INTR. SEALANT	EXTR. MARKINGS	SLNOID SCHEM.	HARDWARE NOTE 5	ADDITIONAL NOTES
24119-01	24	29	INTERMITTENT	3	A	A	GROUND	CURVED					S1	ASSEMBLED	K
24119	24	29	INTERMITTENT	3	A	A	GROUND	FLAT					S1	ASSEMBLED	K
24117-03	12	17.5	CONTINUOUS	4	B	G	INSULATED	FLAT	B	20		AA	S4	ASSEMBLED	J
24117-01	12	17.5	CONTINUOUS	4	B	G	INSULATED	FLAT	B	20		AA	S4	BAGGED	J
24117	12	17.5	CONTINUOUS	4	B	E	INSULATED	FLAT	B	20			S4	ASSEMBLED	E
24115-01	12	17.5	CONTINUOUS	3	A	E	INSULATED	CURVED	B	12		CW	S2	ASSEMBLED	
24115	12	17.5	CONTINUOUS	3	A	E	INSULATED	FLAT				CS	S2	BAGGED	
24107	24	71	CONTINUOUS	3	A	E	INSULATED	FLAT				CS	S2	ASSEMBLED	
24106-07	12	17.5	CONTINUOUS	3	A	E	GROUND	FLAT	B	12			S1	BAGGED	E
24106-04	12	17.5	CONTINUOUS	3	A	E	GROUND	FLAT			YES SEE NOTE A		S1	ASSEMBLED	A
24106	12	17.5	CONTINUOUS	3	A	E	GROUND	FLAT					S1	BAGGED	
24105	6	4.2	CONTINUOUS	3	A	E	GROUND	FLAT					S1	ASSEMBLED	
24104	24	29	INTERMITTENT	3	A	A	INSULATED	FLAT				CS	S2	ASSEMBLED	K
24103	12	4.4	INTERMITTENT	4	B	B	INSULATED	FLAT				BB	S5	ASSEMBLED	G,K
24097	6	4.2	CONTINUOUS	4	B	E	INSULATED	FLAT					S4	ASSEMBLED	
24082	12	17.5	CONTINUOUS	3	A	E	GROUND	CURVED					S1	BAGGED	
24080-01	36	130	CONTINUOUS	4	B	J	INSULATED	FLAT				AA	S4	ASSEMBLED	J
24080	36	130	CONTINUOUS	4	B	E	INSULATED	FLAT					S4	ASSEMBLED	
24077	12	4.4	INTERMITTENT	3	A	B	INSULATED	FLAT	B	19		DS	S3	ASSEMBLED	K
24076	12	4.4	INTERMITTENT	4	B	B	INSULATED	FLAT	B	19			S4	ASSEMBLED	K
24075	6	1.6	INTERMITTENT	4	B	B	INSULATED	FLAT	B	19			S4	ASSEMBLED	K
24071-02	12	4.4	INTERMITTENT	3	A	B	GROUND	CURVED	B	19			S1	ASSEMBLED	K
24071-01	12	4.4	INTERMITTENT	3	A	B	GROUND	FLAT	B	12			S1	ASSEMBLED	E,K
24071	12	4.4	INTERMITTENT	3	A	B	GROUND	FLAT	B	19			S1	ASSEMBLED	K

Revision Control Record				Revision Control Record			
Rev.	Description of Change	ECN No.	Date	Rev.	Description of Change	ECN No.	Date
SEE PAGE 1 FOR REVISION NOTES							

Used On or Ref.: Scale: 1:1 Drawn By: CF Date Drawn: 4/1/66 Responsible Engineer: N/A Pg. 4 of 5


Cole Hersee Co.



Description: **SOLENOID**

Drawing / Part No.: **24008** Current Rev. SEE PAGE 1

PART NO	V	DC	OHMS	DUTY CYCLE	#	STUDS	SOL. STYLE	CONTACT RATINGS	COIL TYPE	BRACKET STYLE	LOC. EXTR.	TYPE SEALANT	INTR. SEALANT	EXTR MARKINGS	SLNOID SCHEM.	HARDWARE NOTE 5	ADDITIONAL NOTES
M 202	12	4.4		INTERMITTENT	3		A	B	GROUND	FLAT					S1	ASSEMBLED	K
M 200-01	12	4.4		INTERMITTENT	4		B	F	INSULATED	FLAT				AA	S4	ASSEMBLED	J,K
M 200	12	4.4		INTERMITTENT	4		B	B	INSULATED	FLAT					S4	ASSEMBLED	K
24144	24	71		CONTINUOUS	4		B	C	INSULATED	FLAT					S4	ASSEMBLED	E,H
24143-03	12	17.5		CONTINUOUS	4		B	D	INSULATED	FLAT	B	12			S4	BAGGED	E,H
24143-02	36	130		CONTINUOUS	4		B	K	INSULATED	FLAT					S4	ASSEMBLED	E,H
24143-01	12	17.5		CONTINUOUS	4		B	D	INSULATED	FLAT	A	13	YES SEE NOTE A		S4	ASSEMBLED	A,E,H
24143	12	17.5		CONTINUOUS	4		B	D	INSULATED	FLAT					S4	BAGGED	E,H
24141	24	29		INTERMITTENT	4		B	A	INSULATED	FLAT	A	13	YES SEE NOTE A	BL	S4	ASSEMBLED	A,K
24140	12	17.5		CONTINUOUS	4		B	E	INSULATED	FLAT				BB	S5	ASSEMBLED	G
24135-01	36	130		CONTINUOUS	4		B	J	INSULATED	FLAT	B	20		AA	S4	ASSEMBLED	J
24135	36	130		CONTINUOUS	4		B	E	INSULATED	FLAT	B	20			S4	ASSEMBLED	
24129	12	4.4		INTERMITTENT	4		B	B	INSULATED	FLAT	B	12	YES SEE NOTE B		S4	ASSEMBLED	B,K
24124	24	71		CONTINUOUS	3		A	E	GROUND	FLAT					S1	BAGGED	E

Revision Control Record				Revision Control Record				 Cole Hersee Co. Description: SOLENOID Drawing / Part No.: 24008 Current Rev.: SEE PAGE 1			
Rev.	Description of Change	ECN No.	Date	Rev.	Description of Change	ECN No.	Date				
SEE PAGE 1 FOR REVISION NOTES											
Used On or Ref.:	Scale: 1:1	Drawn By: CF	Date Drawn: 4/1/66	Responsible Engineer: N/A	Pg. 5 of 5						