

**201-011KLST  
3 NAUTICAL MILES  
225° MASTHEAD LIGHT,  
DOUBLE, HORIZONTALLY MOUNTED**

This LED navigation light consists of two individual lights, each with two high-power LEDs that produces light in the specified angle utilizing special designed PMMA light guides. Each light can be activated separately.

The precision machined 6082 aluminium housing with an anodized surface makes the light a rugged and durable housing for the LEDs and electronics contained within.

The interior is completely filled with a special potting resin making it water- and vibration proof.

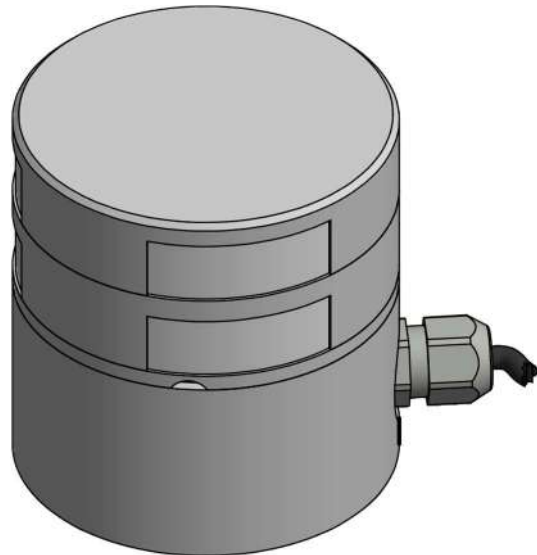
Produced in our in-house manufacturing facility to meet and exceed exacting standards such as EN14744 and UL1104, under a quality management system continuously surveyed by Lloyds Register Quality Assurance.

Each light is subjected to final testing for a minimum of 16 hours of continuous operation bringing the total test time beyond 24 hours.

This navigation light is in compliance with the following standards:

- COLREG72
- EN14744
- IEC 60945
- USCG (UL1104)

Together with an appropriate Control & Monitoring System, such as Lopolight's own NLC this navigation light can form part of an IMO MSC 253(83), LY3 and LY4 compliant system.



## Technical specifications

Vessel size: 12m – 20m (39.4' – 65.6')

Visibility: >3 nautical miles

Intensity: >15cd

Power consumption: 5,2 Watt; Current: 0,41A @12 VDC - 0,2A @24 VDC

Operating voltage: 10 - 32 VDC

Number of LEDs: 2 / 2

Light colour: **White**

Operating temperature: -25°C to +55°C

IP rating: **IP68**

Mounting: **Horizontal**, see K-Lock sheet for options

Connection: 2 cables consisting of 2 x 0,5 mm<sup>2</sup> leads, a screen and insulation.

- Red lead = Power
- Black lead = GND

Certification: **Pending**.

The product is in compliance with the following standard(s):  
**COLREG72/ EN14744 / IEC 60945 / USCG (UL1104)**

Dimensions: **See drawing**

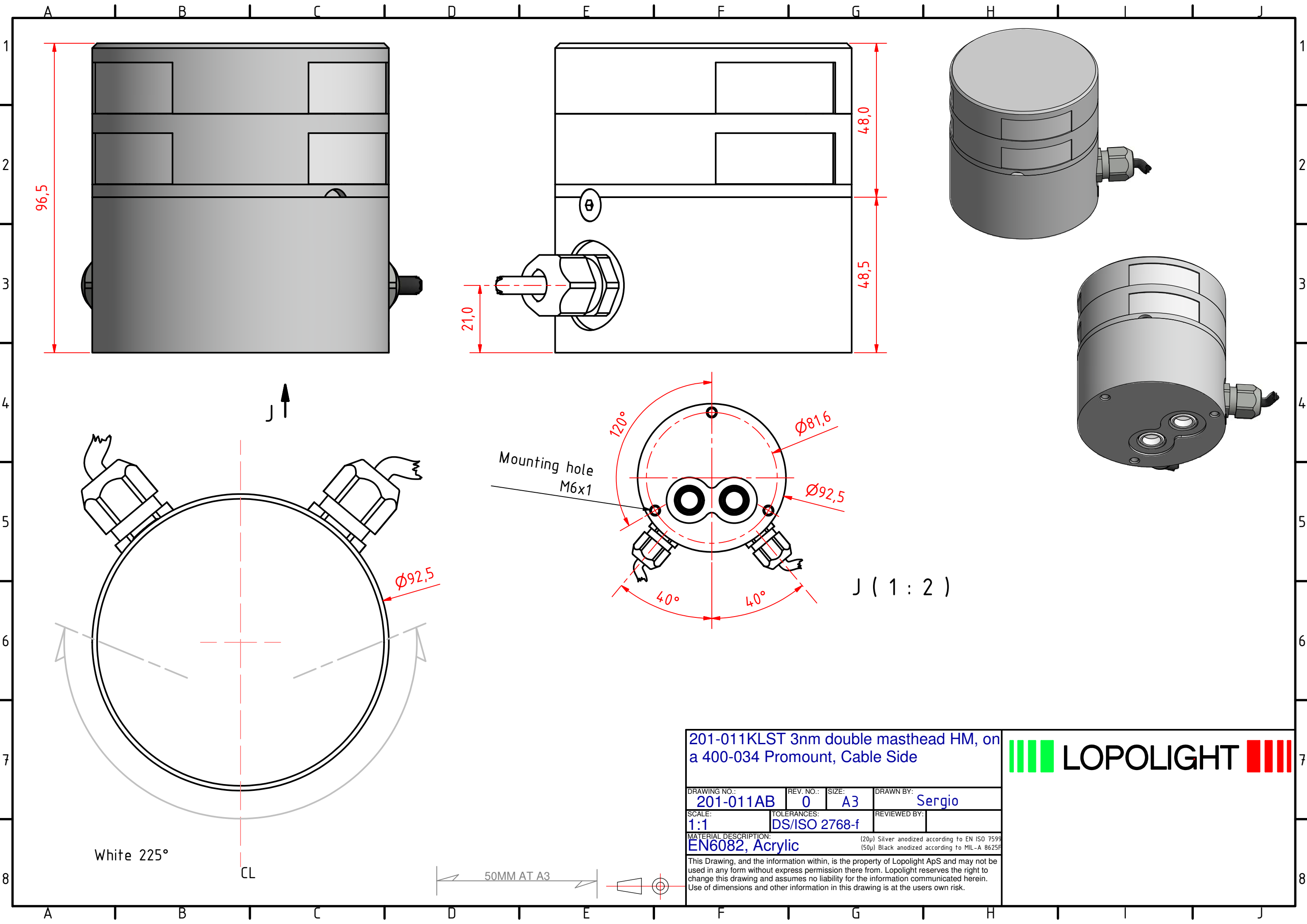
Weight: **1,2kg**

Included in the standard package:

- 1 pc. Double navigation light, pre-cabled with 0,75m marine grade cable on aluminium base
- 1 pc. HDPE base plate
- 3 pcs. M6x14 mounting screws
- Installation instructions

## Ordering information

BASE OPTION	PART NUMBER SILVER FINISH	PART NUMBER BLACK FINISH
400-034 (drawing A - D) CSCD base (standard)	201-011KLST-CSCD	201-011KLST-B-CSCD
400-035 (drawing E - F) CD base	201-011KLST-CD	201-011KLST-B-CD



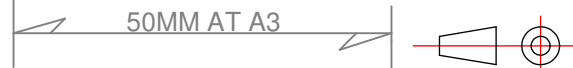
201-011KLST 3nm double masthead HM, on a 400-034 Promount, Cable Side

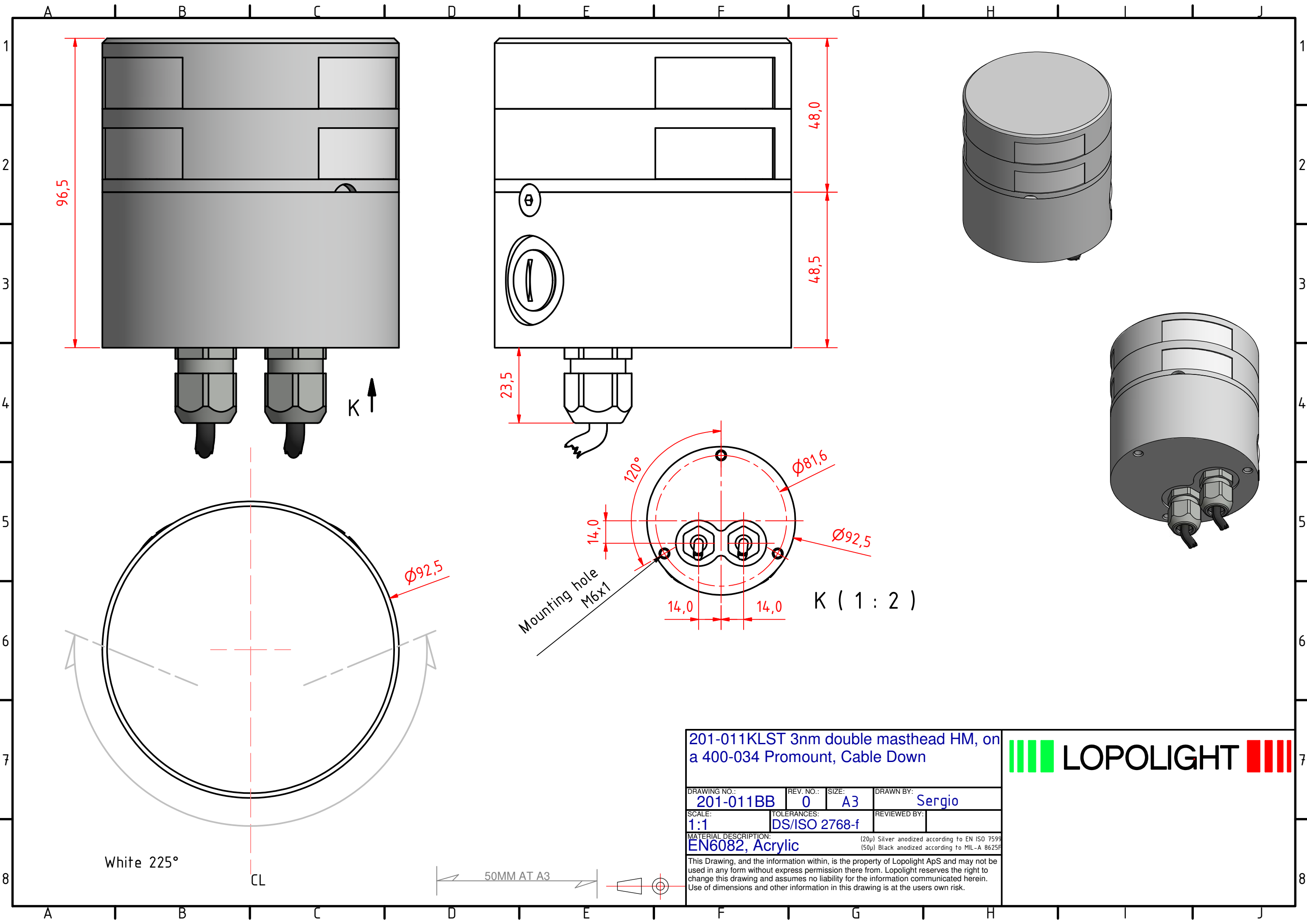
DRAWING NO.:	REV. NO.:	SIZE:	DRAWN BY:
201-011AB	0	A3	Sergio

SCALE:	TOLERANCES:	REVIEWED BY:
1:1	DS/ISO 2768-f	

MATERIAL DESCRIPTION: EN6082, Acrylic (20µ) Silver anodized according to EN ISO 7599 (50µ) Black anodized according to MIL-A 8625F

This Drawing, and the information within, is the property of Lopolight ApS and may not be used in any form without express permission there from. Lopolight reserves the right to change this drawing and assumes no liability for the information communicated herein. Use of dimensions and other information in this drawing is at the users own risk.



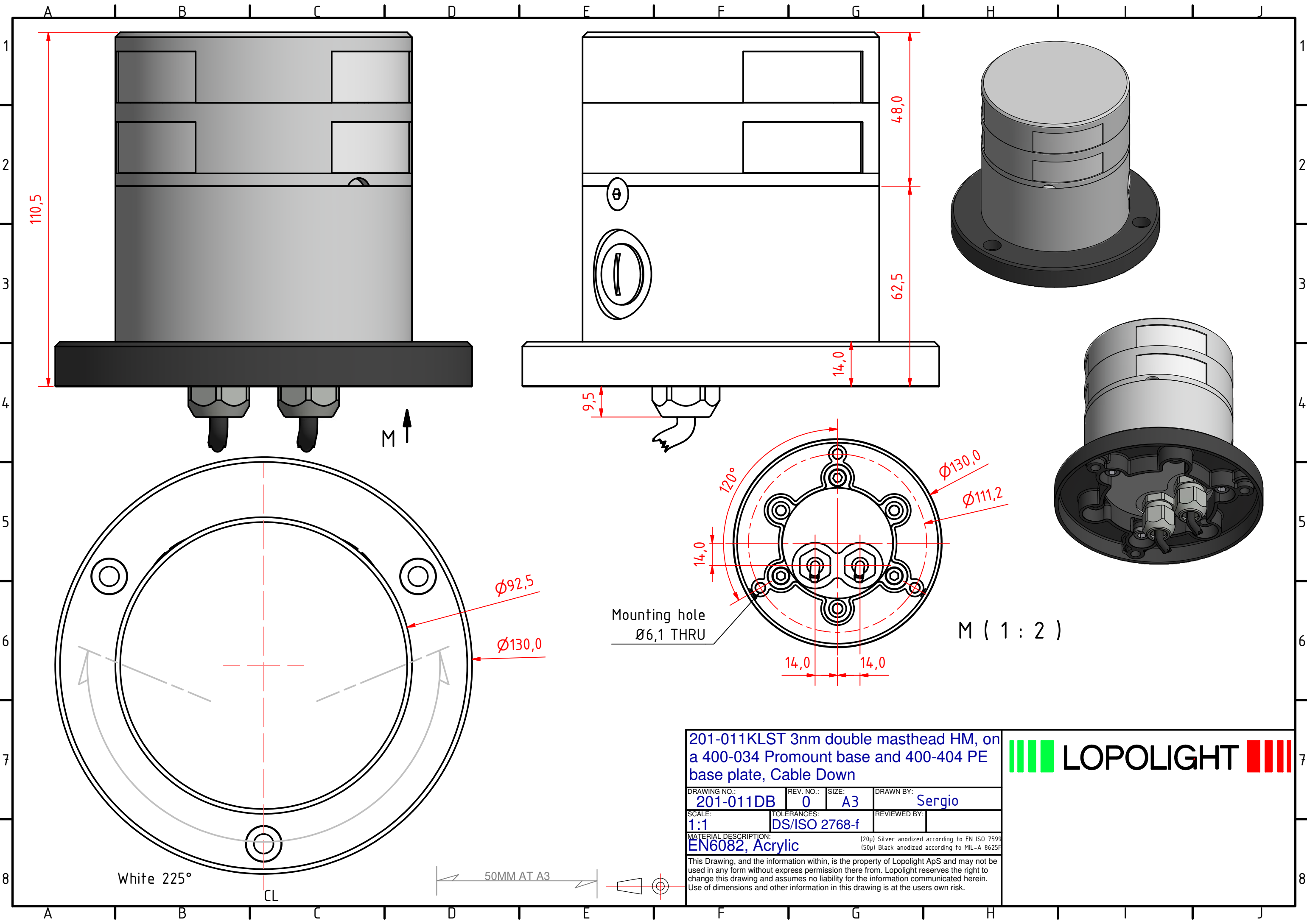


**201-011KLST 3nm double masthead HM, on a 400-034 Promount, Cable Down**

DRAWING NO.:	REV. NO.:	SIZE:	DRAWN BY:
201-011BB	0	A3	Sergio
SCALE:	TOLERANCES:	REVIEWED BY:	
1:1	DS/ISO 2768-f		
MATERIAL DESCRIPTION:			
EN6082, Acrylic <small>(20µ) Silver anodized according to EN ISO 7599 (50µ) Black anodized according to MIL-A 8625F</small>			
<small>This Drawing, and the information within, is the property of Lopolight ApS and may not be used in any form without express permission there from. Lopolight reserves the right to change this drawing and assumes no liability for the information communicated herein. Use of dimensions and other information in this drawing is at the users own risk.</small>			







201-011KLST 3nm double masthead HM, on a 400-034 Promount base and 400-404 PE base plate, Cable Down

DRAWING NO.: 201-011DB	REV. NO.: 0	SIZE: A3	DRAWN BY: Sergio
---------------------------	----------------	-------------	---------------------

SCALE: 1:1	TOLERANCES: DS/ISO 2768-f	REVIEWED BY:
---------------	------------------------------	--------------

MATERIAL DESCRIPTION:  
EN6082, Acrylic

(20µ) Silver anodized according to EN ISO 7599  
(50µ) Black anodized according to MIL-A 8625F

This Drawing, and the information within, is the property of Lopolight ApS and may not be used in any form without express permission there from. Lopolight reserves the right to change this drawing and assumes no liability for the information communicated herein. Use of dimensions and other information in this drawing is at the users own risk.



White 225°

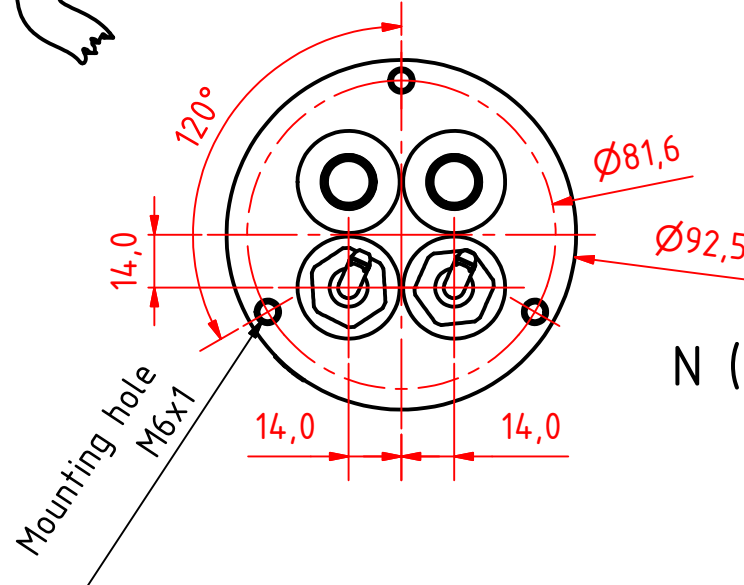
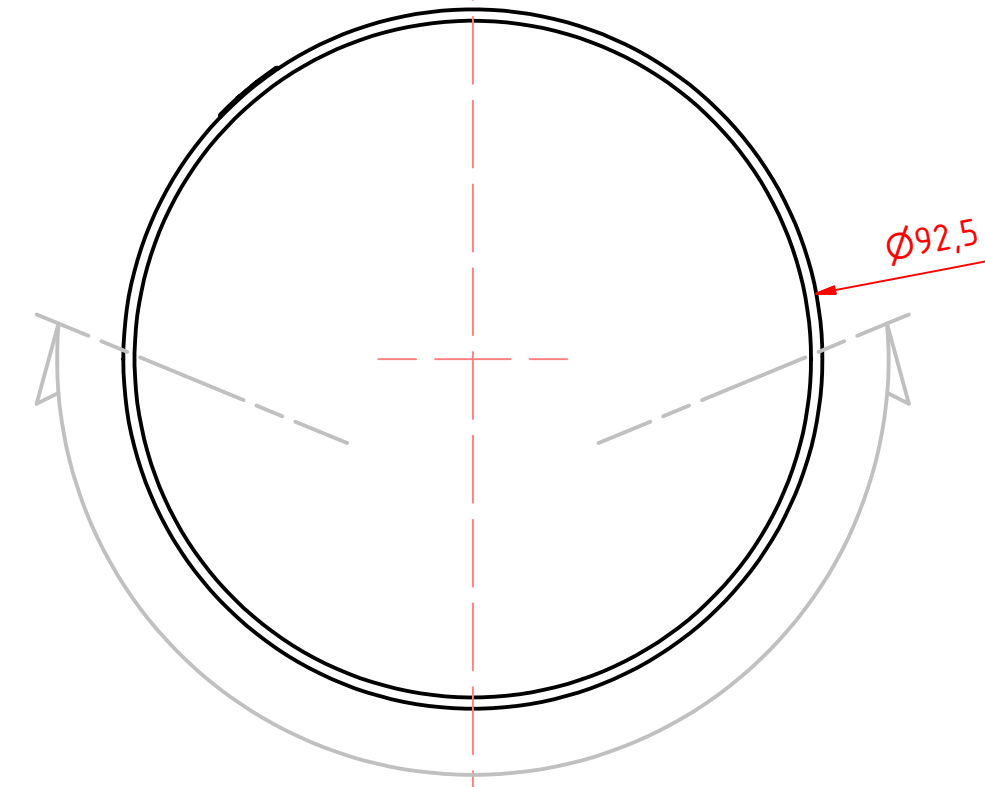
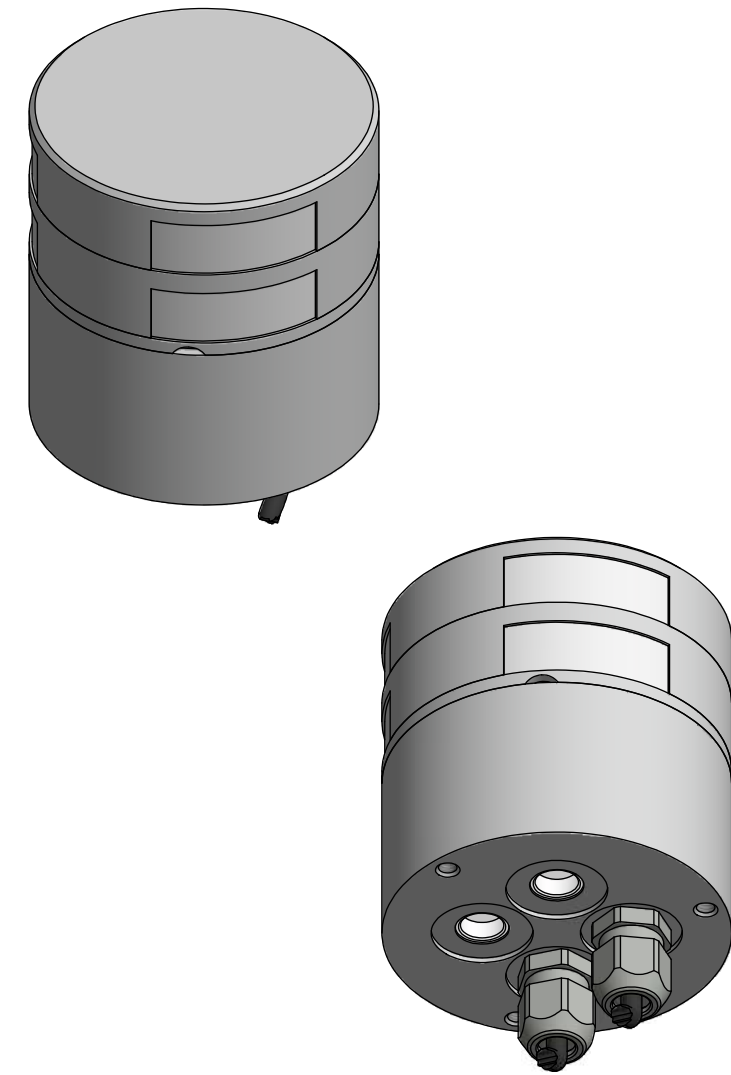
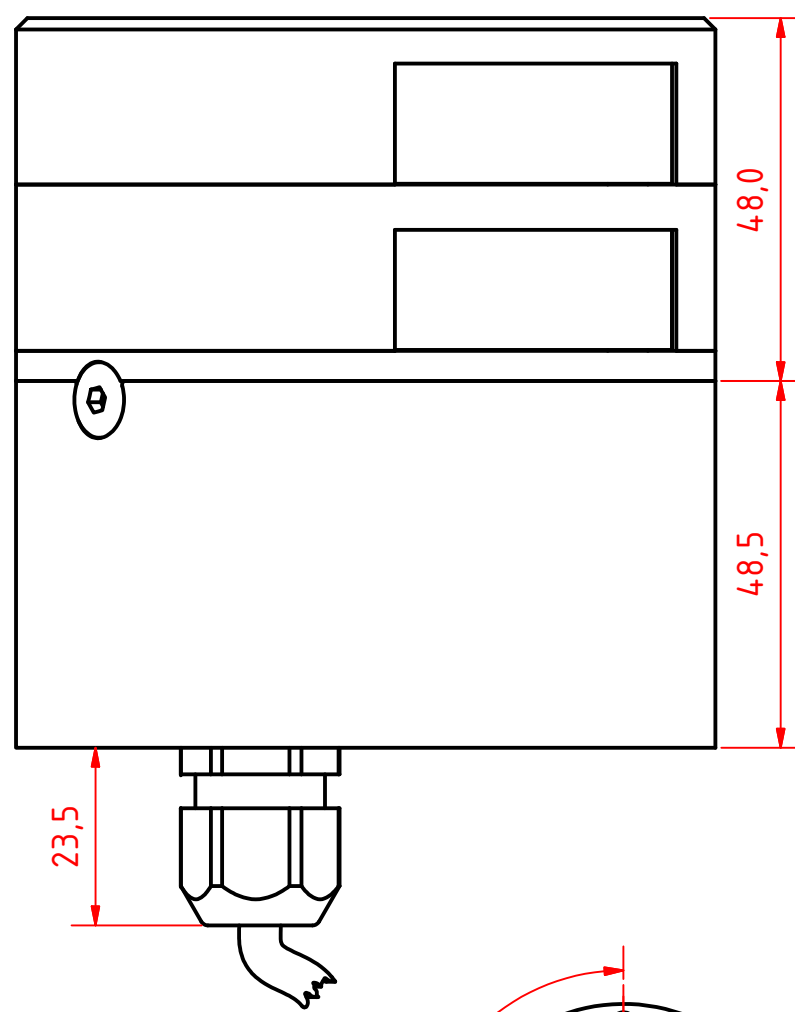
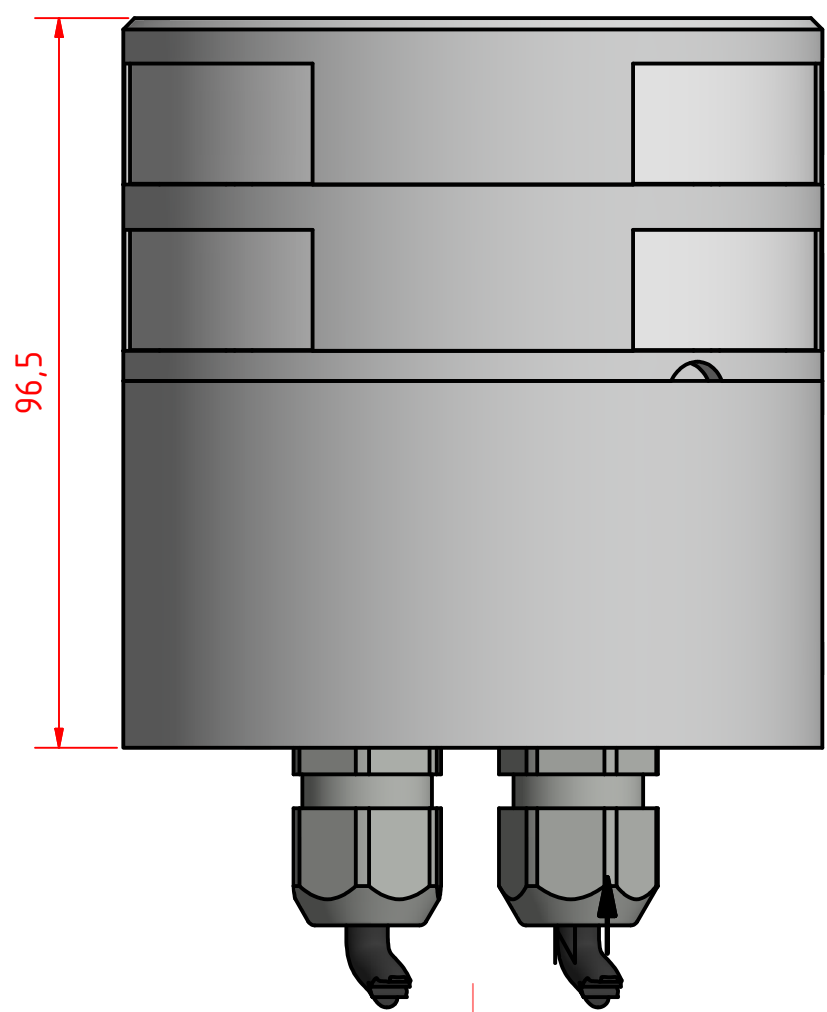
50MM AT A3

M ( 1 : 2 )



A B C D E F G H I J

1  
2  
3  
4  
5  
6  
7  
8



N ( 1 : 2 )

White 225°

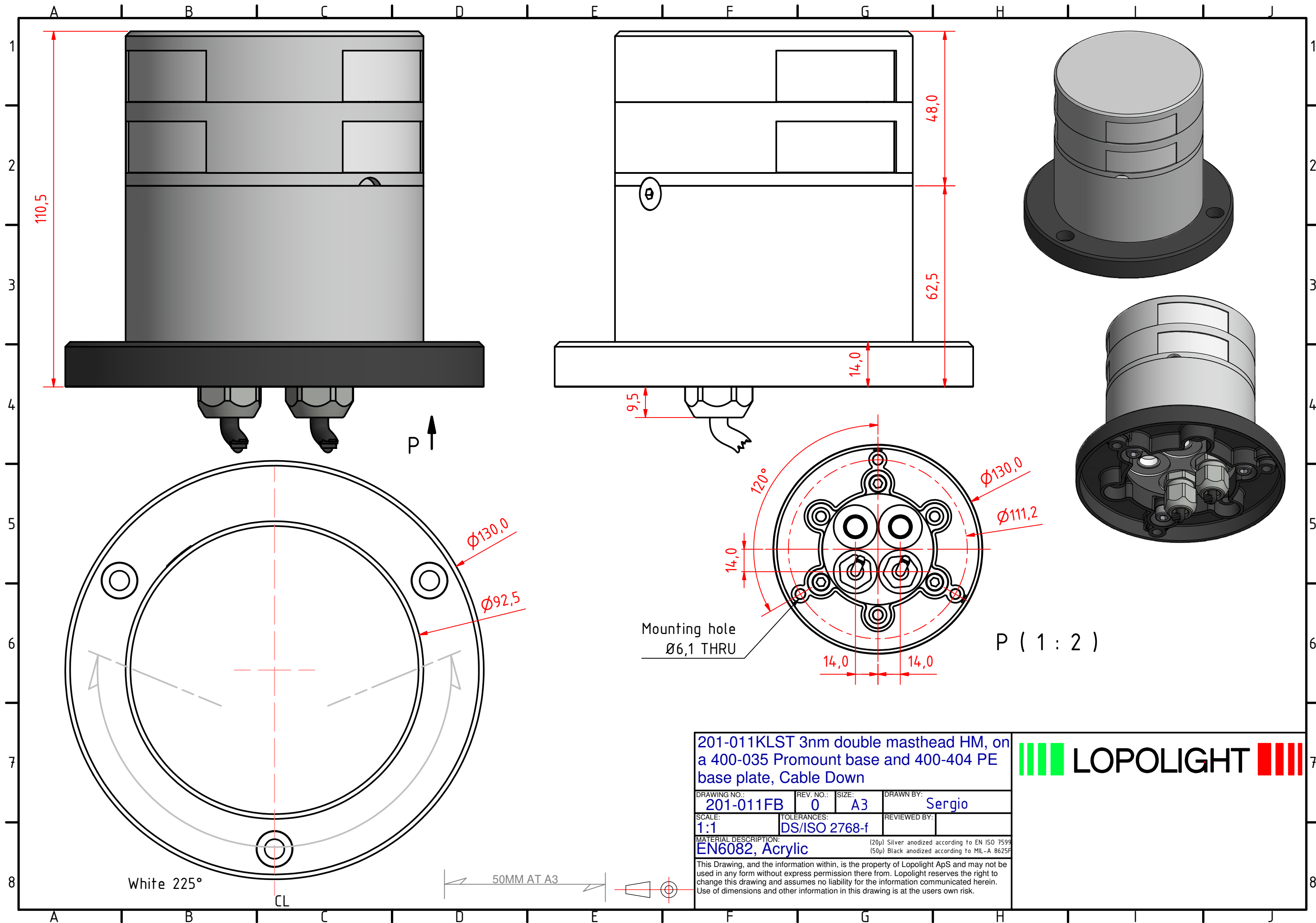
CL



201-011KLST 3nm double masthead HM, on a 400-035 Promount base, Cable Down			
DRAWING NO.:	REV. NO.:	SIZE:	DRAWN BY:
201-011EB	0	A3	Sergio
SCALE:	TOLERANCES:	REVIEWED BY:	
1:1	DS/ISO 2768-f		
MATERIAL DESCRIPTION:			
EN6082, Acrylic, PE		(20µ) Silver anodized according to EN ISO 7599 (50µ) Black anodized according to MIL-A 8625F	
This Drawing, and the information within, is the property of Lopolight ApS and may not be used in any form without express permission there from. Lopolight reserves the right to change this drawing and assumes no liability for the information communicated herein. Use of dimensions and other information in this drawing is at the users own risk.			



A B C D E F G H I J



201-011KLST 3nm double masthead HM, on a 400-035 Promount base and 400-404 PE base plate, Cable Down

DRAWING NO.: 201-011FB	REV. NO.: 0	SIZE: A3	DRAWN BY: Sergio
SCALE: 1:1	TOLERANCES: DS/ISO 2768-f	REVIEWED BY:	

MATERIAL DESCRIPTION:  
EN6082, Acrylic

This Drawing, and the information within, is the property of Lopolight ApS and may not be used in any form without express permission there from. Lopolight reserves the right to change this drawing and assumes no liability for the information communicated herein. Use of dimensions and other information in this drawing is at the users own risk.

