

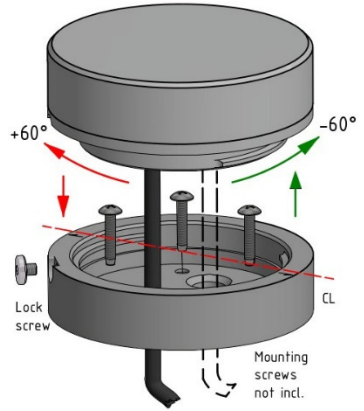
## Installation guide

Thank you for purchasing a Lopolight product. Our products are built to ensure a long lifetime in the most extreme marine conditions.

### Mounting:

The alignment to vessel centerline is very important.

Horizontally mounted lights are opened/closed as illustrated. Please ensure lock screw engages correctly.

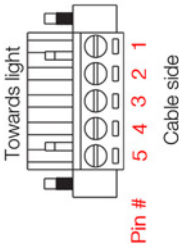


### Connecting power:

Supply Voltage: Any DC voltage between 20 and 32 volts (24 Volt systems).

#### **Cabled lights:**

**Red wire:** Positive (+)    **Black wire:** Negative (-).  
(Double light: cables, same colour)



#### **Light with green connector:**

Single light:

Pin 1: Positive (+) Pin 2: Negative (-) (pin 3-5: not used)

Double light:

Primary light: Pin 1: Positive (+) Pin 2: Negative (-)

Secondary light: Pin 4: Positive (+) Pin 5: Negative (-) (pin 3 not used)

**Recommended fuse or circuit breaker:** Less than 2A (slow).

**Grounding:** The navigation light housing should not be connected to ground (Earth). (We recommend that you connect the cable screen to ground (Earth)).

**Cabling:** Avoid chafe and route it away from sources of heat and large inductive fields such as electric motors.

### Cleaning your product:

- Wipe off your product with a normal detergent, on a damp cloth.  
**DO NOT use alcohol or thinner for cleaning your light – this could damage the lens.**

### Troubleshooting:

If the light does not function:

- Check that you have a supply Voltage between 20 and 32 Volt DC.
- Check that the polarity is right (you will not damage the Lopolight by accidentally wiring the polarity wrong).

### End of life signaling:

Your Lopolight product has a microprocessor inside that ensures that the light has the required intensity over a 50.000-hour projected lifetime. The light will signal to you when it is getting to the end of its useful life. The following signals can be observed:

- **All OK:** 5 seconds after turning on the light it will go dark for 0,1 second and turn on again. This is just a check for you to assure that the microprocessor is working.
- **Less than 2000 working hours left:** The dark period is extended to 2 seconds: you should change the light at your next service within the next 12 months.
- **Light Expired:** The dark period is extended to 5 seconds: You should change the light immediately. (The light will still be working, even in the expired state)

### Warranty:

- This product is covered by our 5-year limited warranty.

### Approvals:

The light in this package is type approved to the following standards:

- EN-14744, UL-1104, COLREG72, IEC 60945

Recognized by the following authorities:

- IMO, MED (EU-wheelmark), USCG