

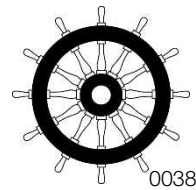
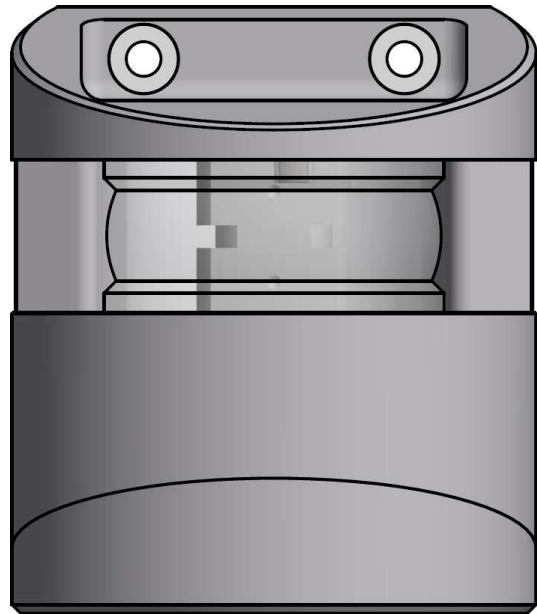
300-037 – 5NM 225° WHITE MASTHEAD LIGHT

The LED light consists of a cluster of LEDs that produces light in the specified angle.

The precision machined 6082 aluminium housing with a hard coated anodized surface makes the light a rugged and durable housing for the LEDs and electronics contained within, and the polished PMMA lens delivers a clear light with colour ranging that is well within the standard for maritime use.

Lastly all the interior is completely filled with a special potting resin making it water- and vibration proof before each light is subjected to final testing for no less than 16 hours of continuous operation bringing the total test period beyond 24 hours.

Lopolight products are covered by a 5-year limited warranty. This warranty covers direct exchange of the malfunctioning product and is given under the assumption that the lights have been operated within the specifications of lights.



Technical specifications

Vessel size: 20m - 50m (65' - 164')

Visibility: >5 nautical miles

Intensity: >52 cd

Mounting: **Vertical**

Operating voltage: 22 - 32 V DC

Number of LEDs: 3

Light colour: **White**

Operating temperature: -25°C to +55°C

IP Rating: **IP68**

Power consumption; 7 Watt; Current @ 24 VDC: 0,3A

Connection: 1 cable consisting of 2 x 0,5 mm² leads, a screen and insulation.

- Red lead = Power
- Black lead = GND

Certification: The product is certified by Lloyds (LR) and certificates can be found **under certificates**.

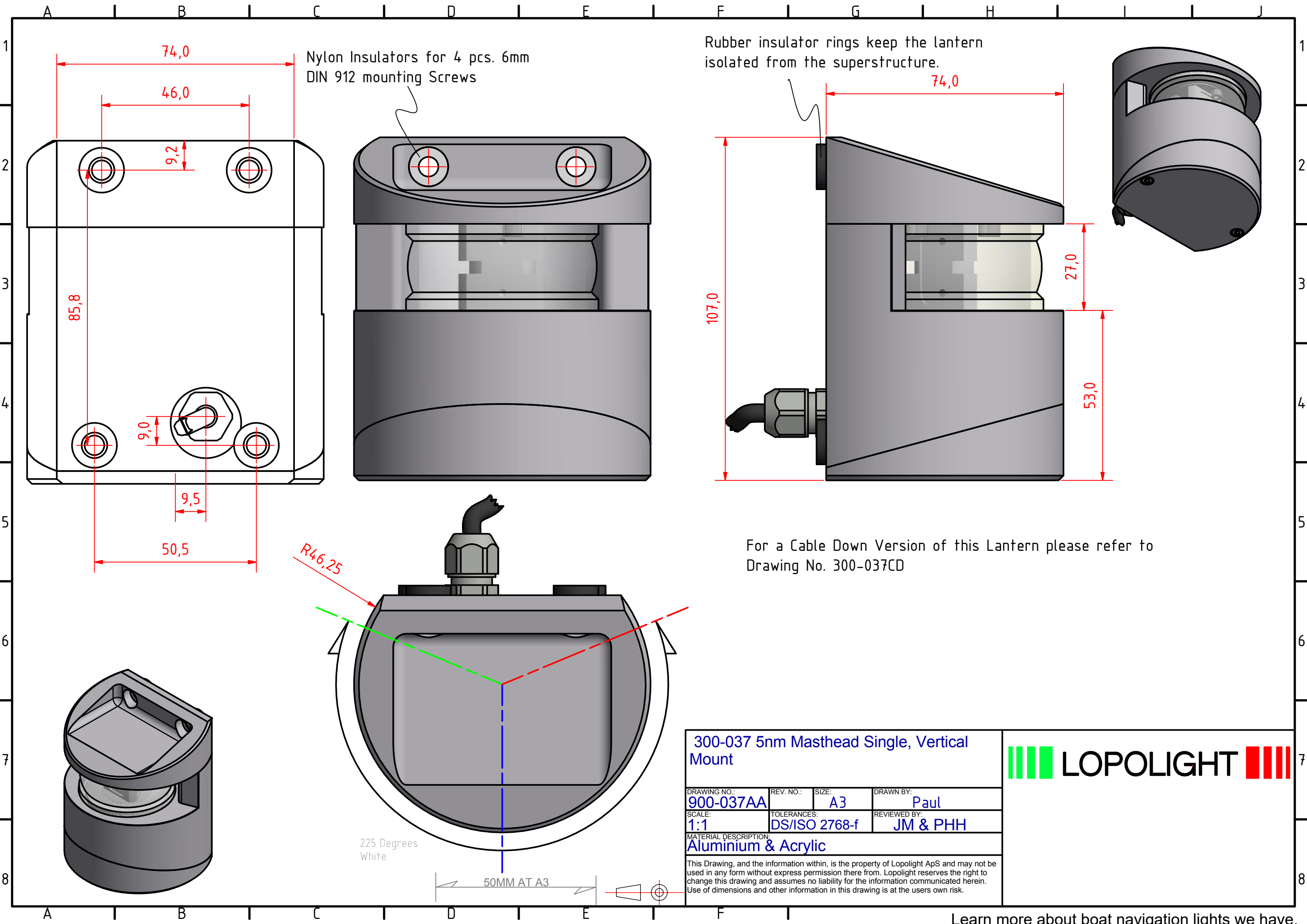
Approvals: COLREG72 / EN14744 / IEC 60945 / USCG / UL1104

Dimensions: **See drawing**

Weight: **0,96kg**

Included in the package:

- 1 Navigation light, pre-cabled with 1,5m marine grade cable
- Installation instructions



Nylon Insulators for 4 pcs. 6mm
DIN 912 mounting Screws

Rubber insulator rings keep the lantern
isolated from the superstructure.

For a Cable Down Version of this Lantern please refer to
Drawing No. 300-037CD

**300-037 5nm Masthead Single, Vertical
Mount**

DRAWING NO.:	REV. NO.:	SIZE:	DRAWN BY:
900-037AA		A3	Paul
SCALE:	TOLERANCES:	REVIEWED BY:	
1:1	DS/ISO 2768-f	JM & PHH	

MATERIAL DESCRIPTION:
Aluminium & Acrylic

This Drawing, and the information within, is the property of Lopolight ApS and may not be used in any form without express permission there from. Lopolight reserves the right to change this drawing and assumes no liability for the information communicated herein. Use of dimensions and other information in this drawing is at the users own risk.

