

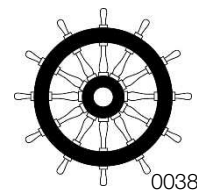
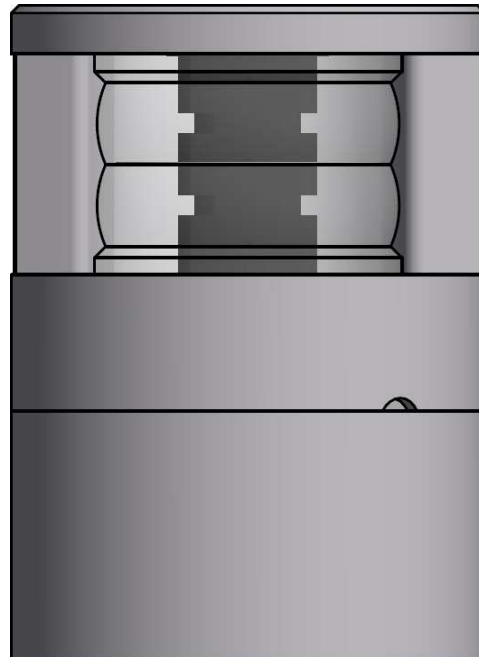
### 300-038 – 5NM 225° WHITE DOUBLE MASTHEAD LIGHT

The double LED light consists of two (2) individual lights which can be activated separately. One is dedicated as the primary, the other the secondary.

The precision machined 6082 aluminium housing with a hard coated anodized surface makes the light a rugged and durable housing for the LEDs and electronics contained within, and the polished PMMA lens delivers a clear light with colour ranging that is well within the standard for maritime use.

Lastly all the interior is completely filled with a special potting resin making it water- and vibration proof before each light is subjected to final testing for no less than 16 hours of continuous operation bringing the total test period beyond 24 hours.

Lopolight products are covered by a 5-year limited warranty. This warranty covers direct exchange of the malfunctioning product and is given under the assumption that the lights have been operated within the specifications of lights.



Technical specifications

Vessel size: 20m - 50m (65,6' - 164')

Visibility: >5 nautical miles

Intensity: >52 cd

Mounting: Horizontal, see the K-Lock system sheet for options

Operating voltage: 22 - 32 V DC

Number of LEDs: 6 per light, 12 in total

Light colour: White

Operating temperature: -25°C to +55°C

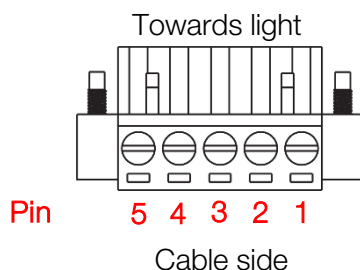
IP Rating: IP68

Power consumption; 7 Watt; Current @ 24 VDC: 0,3A

Connection: 2 M20x1.5 thread borings for cable glands located on the side and bottom (see drawings for details).

Cabling: 2 cables consisting of 2 x 0,5 mm<sup>2</sup> leads, a screen and insulation.

- Pin 1 - Red lead = Primary light power
- Pin 2 - Black lead = Primary light GND
- Pin 3 – No lead = Not used
- Pin 4 - Red = Secondary light power
- Pin 5 - Black = Secondary light GND



Certification: The product is certified by Lloyds (LR) and certificates can be found on **under certificates**.

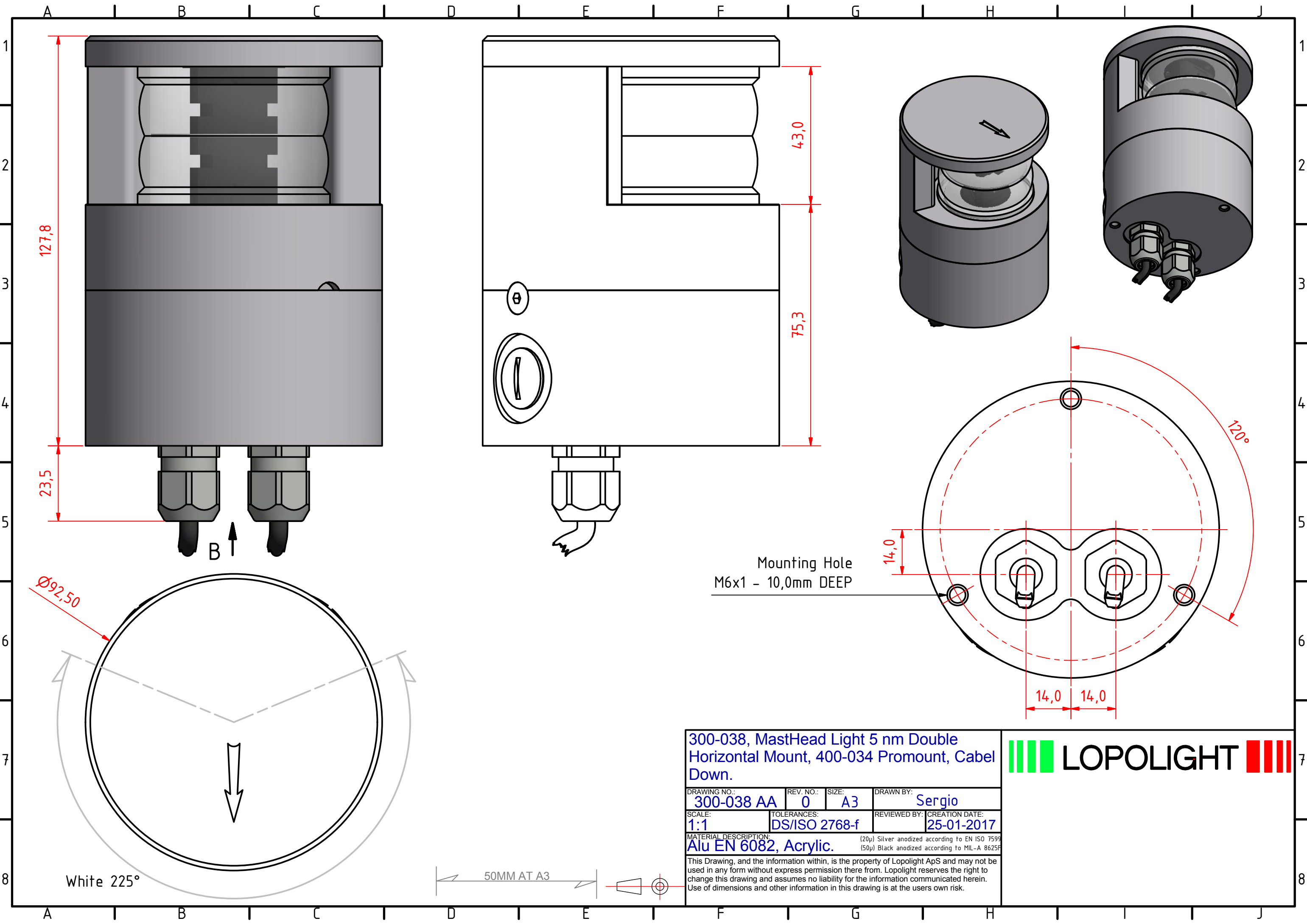
Approvals: COLREG72 / EN14744 / IEC 60945 / USCG / UL1104

Dimensions: See drawing

Weight: 1kg

Included in the standard package:

- 1 Double navigation light mounted on 400-034 aluminium base
- 1 HDPE base plate
- 3 M6x14 screw
- 2 M20x1.5 cable gland (cable diameters 7 – 13mm)
- 2 M20x1.5 blinding cap
- 1 Connector plug, 5 PIN
- Installation instructions



127,8

23,5

Ø92,50

43,0

75,3

14,0

14,0

14,0

120°

Mounting Hole  
M6x1 - 10,0mm DEEP

**300-038, MastHead Light 5 nm Double  
Horizontal Mount, 400-034 Promount, Cabel  
Down.**

DRAWING NO.:	REV. NO.:	SIZE:	DRAWN BY:
300-038 AA	0	A3	Sergio

SCALE:	TOLERANCES:	REVIEWED BY:	CREATION DATE:
1:1	DS/ISO 2768-f		25-01-2017

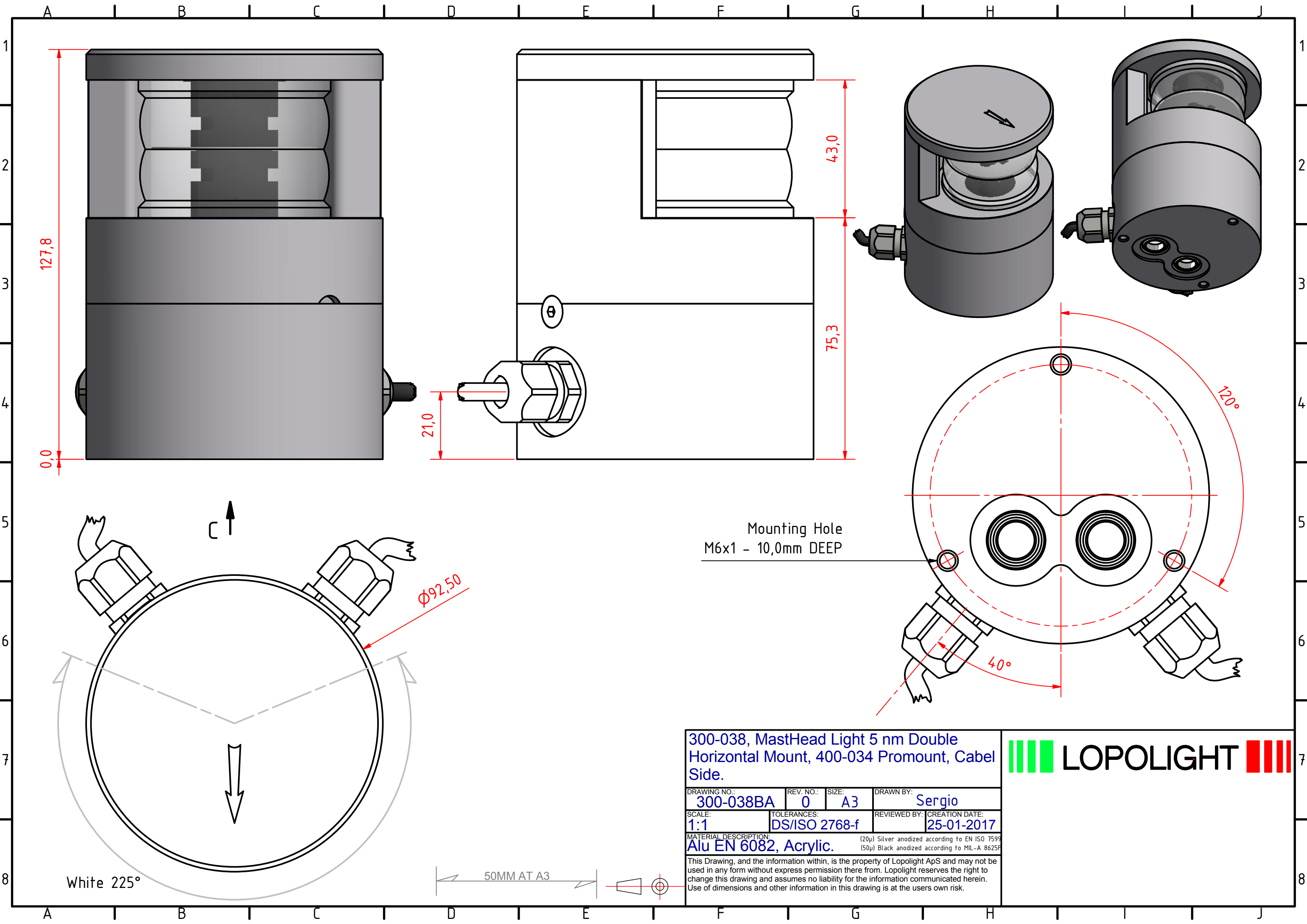
MATERIAL DESCRIPTION:  
**Alu EN 6082, Acrylic.** (20µ) Silver anodized according to EN ISO 7599  
(50µ) Black anodized according to MIL-A 8625F

This Drawing, and the information within, is the property of Lopolight ApS and may not be used in any form without express permission there from. Lopolight reserves the right to change this drawing and assumes no liability for the information communicated herein. Use of dimensions and other information in this drawing is at the users own risk.



50MM AT A3

White 225°



**300-038, MastHead Light 5 nm Double  
Horizontal Mount, 400-034 Promount, Cabel  
Side.**

DRAWING NO.:	REV. NO.:	SIZE:	DRAWN BY:
300-038BA	0	A3	Sergio
SCALE:	TOLERANCES:	REVIEWED BY:	CREATION DATE:
1:1	DS/ISO 2768-f		25-01-2017

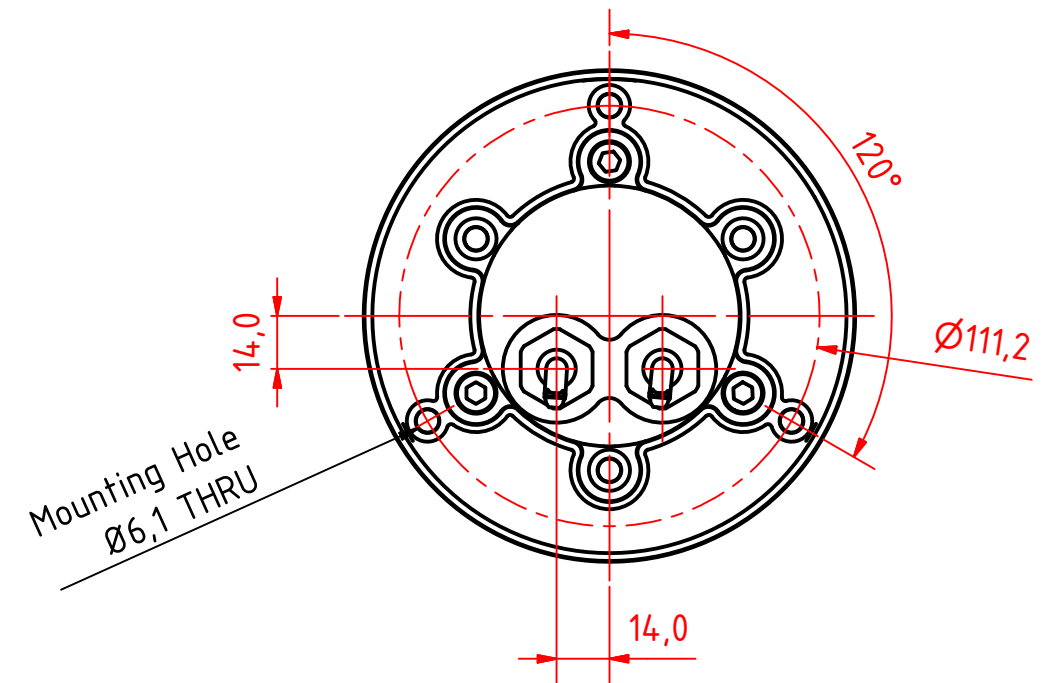
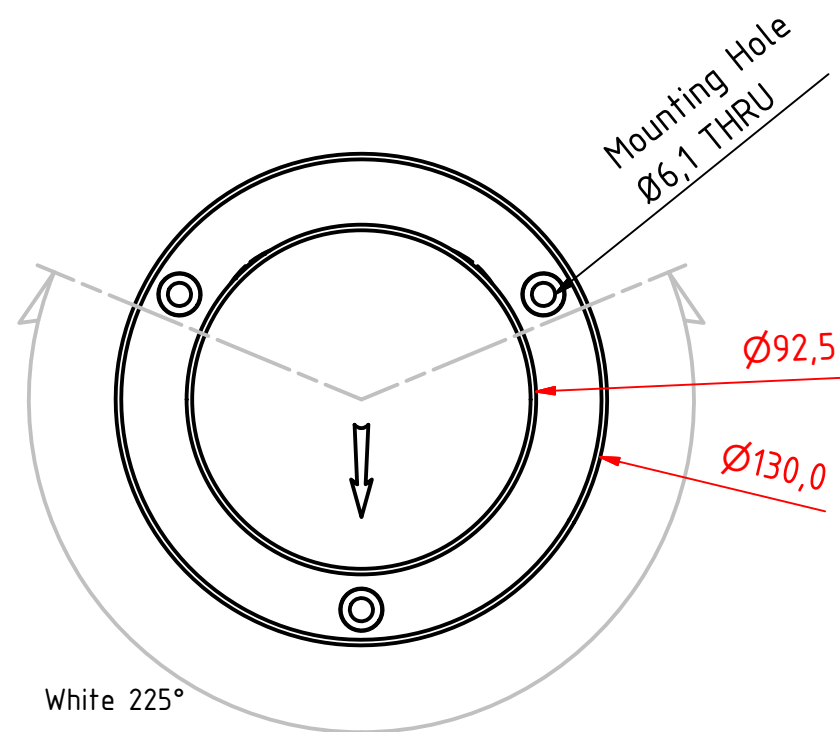
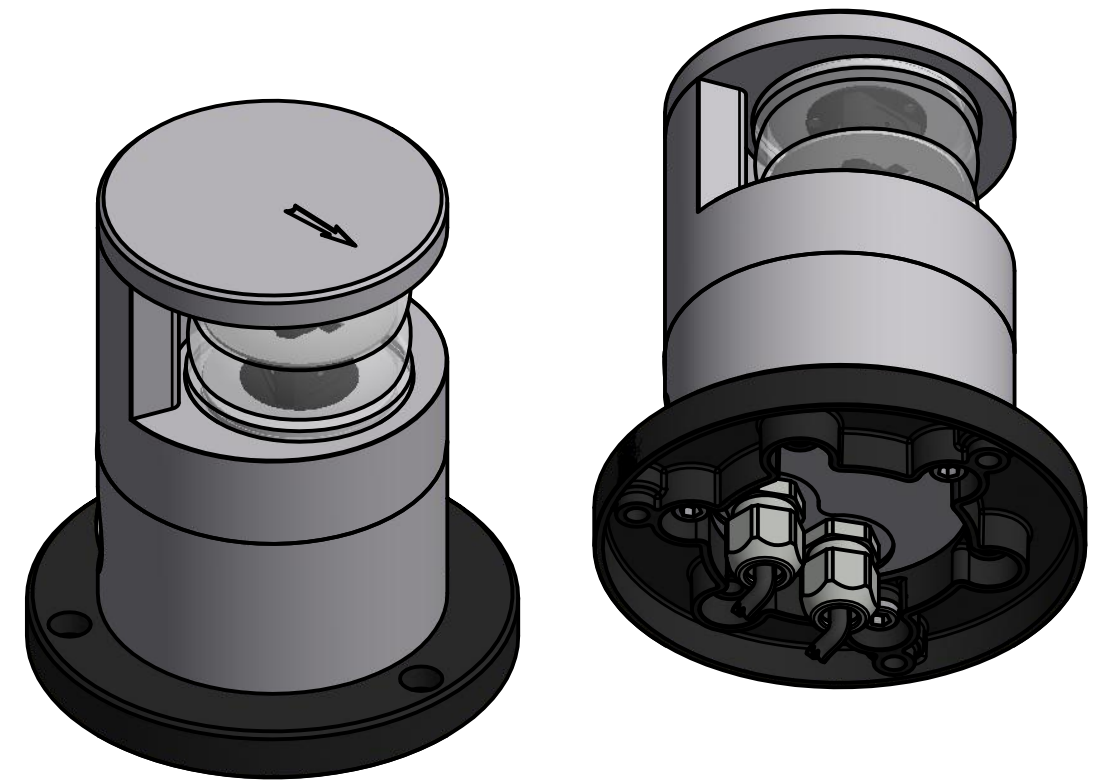
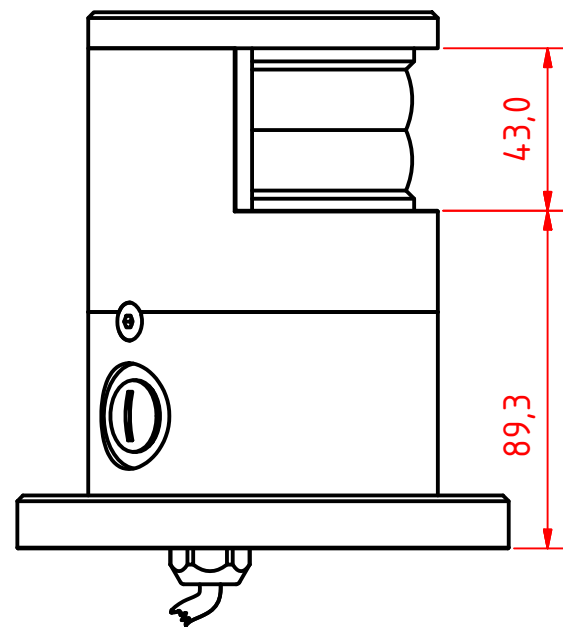
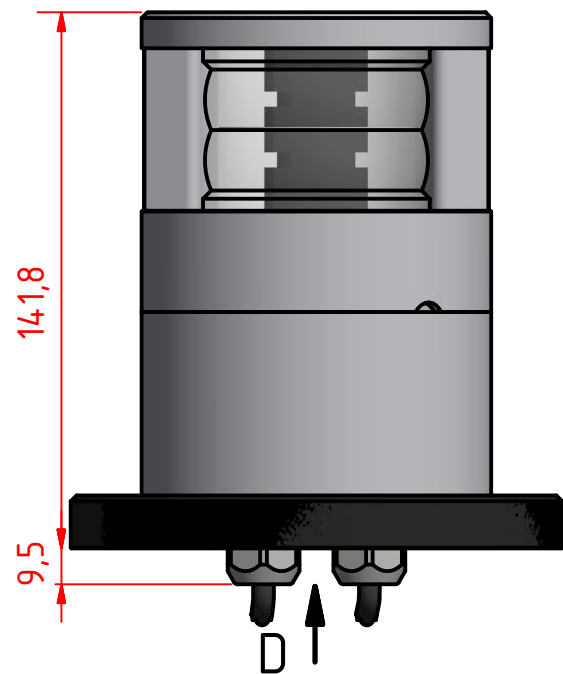
MATERIAL DESCRIPTION:  
**Alu EN 6082, Acrylic.** (20µ) Silver anodized according to EN ISO 7599  
 (50µ) Black anodized according to MIL-A 8625F

This Drawing, and the information within, is the property of Lopolight ApS and may not be used in any form without express permission there from. Lopolight reserves the right to change this drawing and assumes no liability for the information communicated herein. Use of dimensions and other information in this drawing is at the users own risk.



White 225°

50MM AT A3



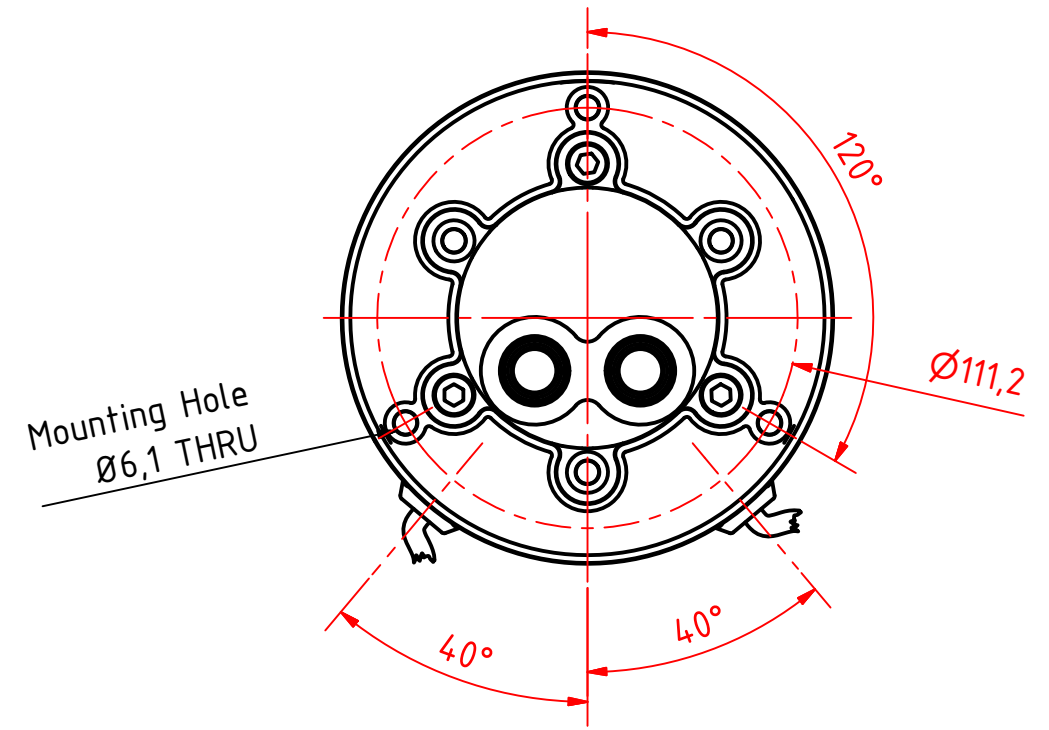
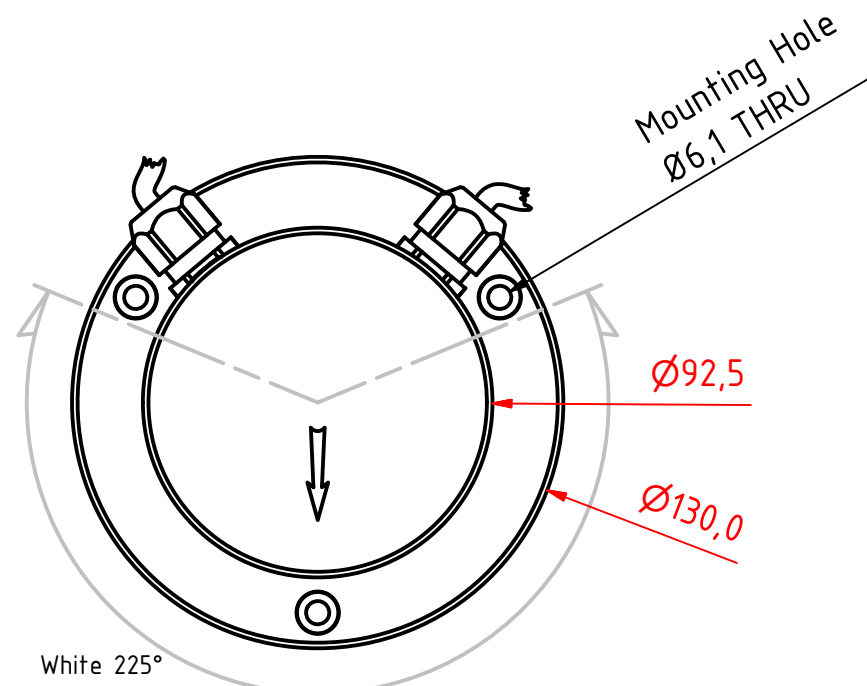
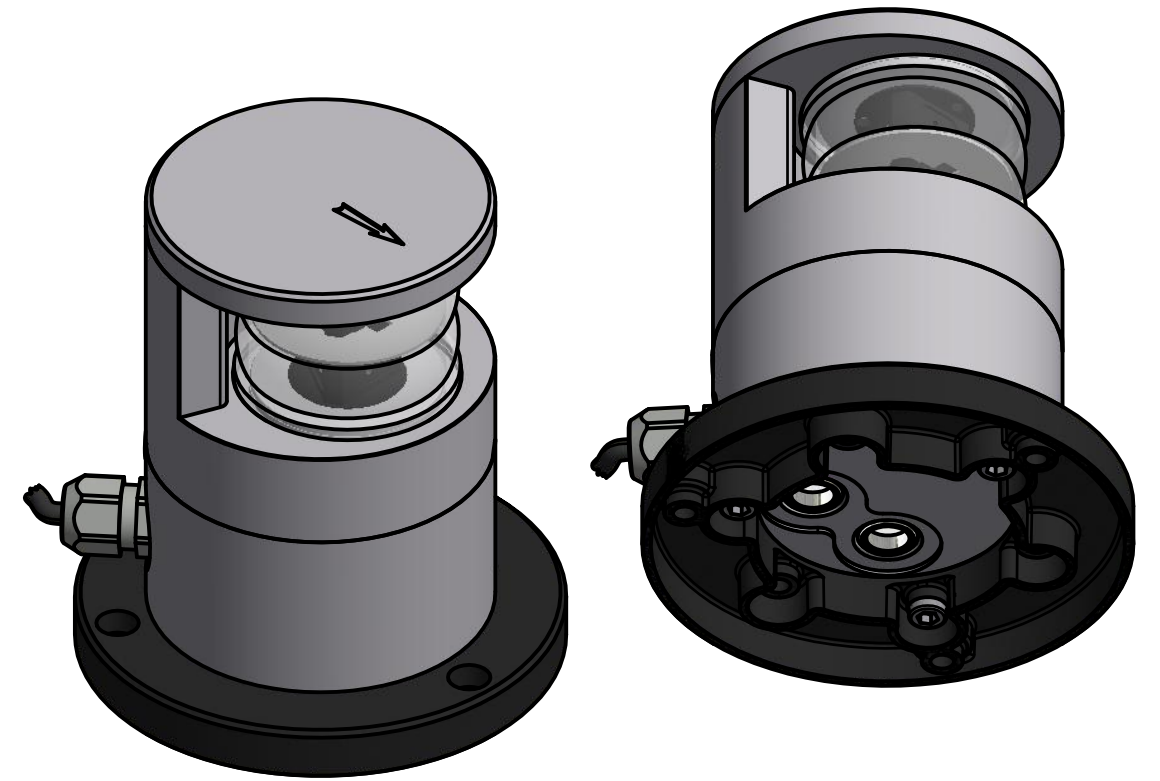
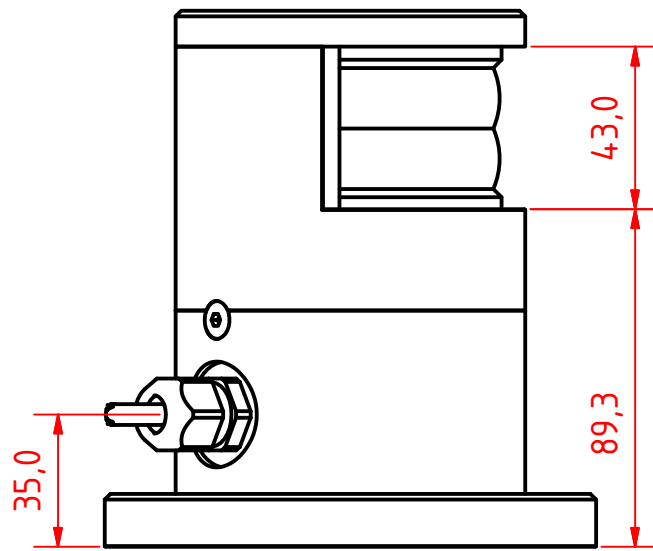
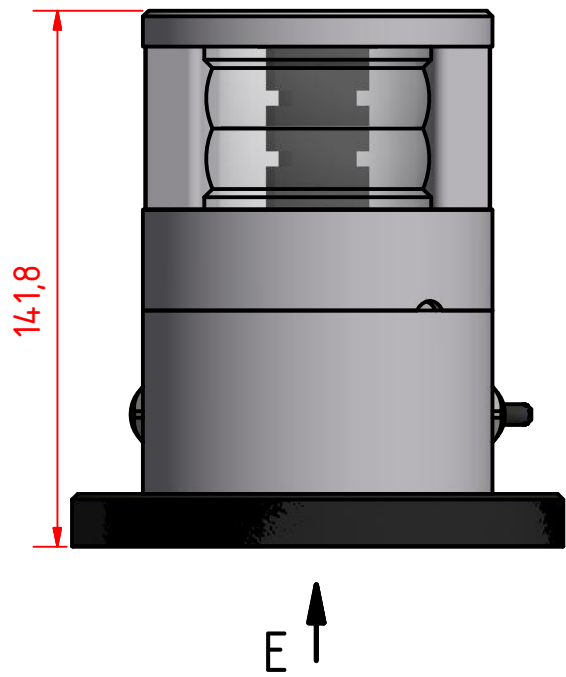
300-038, MastHead Light 5 nm Double  
Horizontal Mount, 400-034  
Promount, 400-404 PE Base Plate, CD.

DRAWING NO.: 300-038CA	REV. NO.: 0	SIZE: A3	DRAWN BY: Sergio
SCALE: 1:2	TOLERANCES: DS/ISO 2768-f	REVIEWED BY:	CREATION DATE: 25-01-2017

MATERIAL DESCRIPTION:  
Alu EN 6082, Acrylic, PE (20µ) Silver anodized according to EN ISO 7599  
(50µ) Black anodized according to MIL-A 8625F

This Drawing, and the information within, is the property of Lopolight ApS and may not be used in any form without express permission there from. Lopolight reserves the right to change this drawing and assumes no liability for the information communicated herein. Use of dimensions and other information in this drawing is at the users own risk.





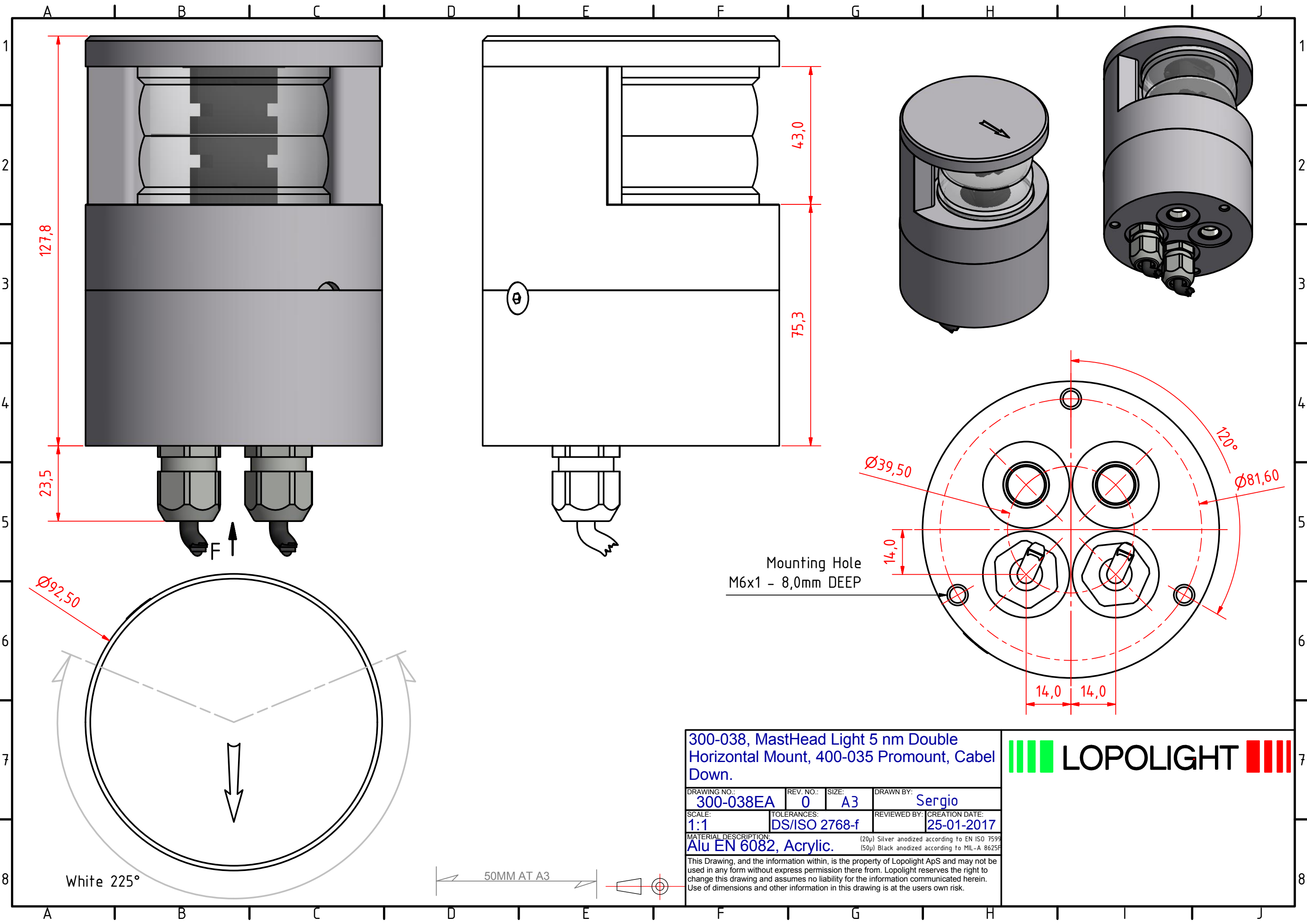
**300-038, MastHead Light 5 nm Double Horizontal Mount, 400-034 Promount, 400-404 PE Base Plate, Cabel Side.**

DRAWING NO.: <b>300-038DA</b>	REV. NO.: <b>0</b>	SIZE: <b>A3</b>	DRAWN BY: <b>Sergio</b>
SCALE: <b>1:2</b>	TOLERANCES: <b>DS/ISO 2768-f</b>	REVIEWED BY:	CREATION DATE: <b>25-01-2017</b>

MATERIAL DESCRIPTION:  
**Alu EN 6082, Acrylic, PE** (20µ) Silver anodized according to EN ISO 7599 (50µ) Black anodized according to MIL-A 8625F

This Drawing, and the information within, is the property of Lopolight ApS and may not be used in any form without express permission there from. Lopolight reserves the right to change this drawing and assumes no liability for the information communicated herein. Use of dimensions and other information in this drawing is at the users own risk.





**300-038, MastHead Light 5 nm Double  
Horizontal Mount, 400-035 Promount, Cabel  
Down.**

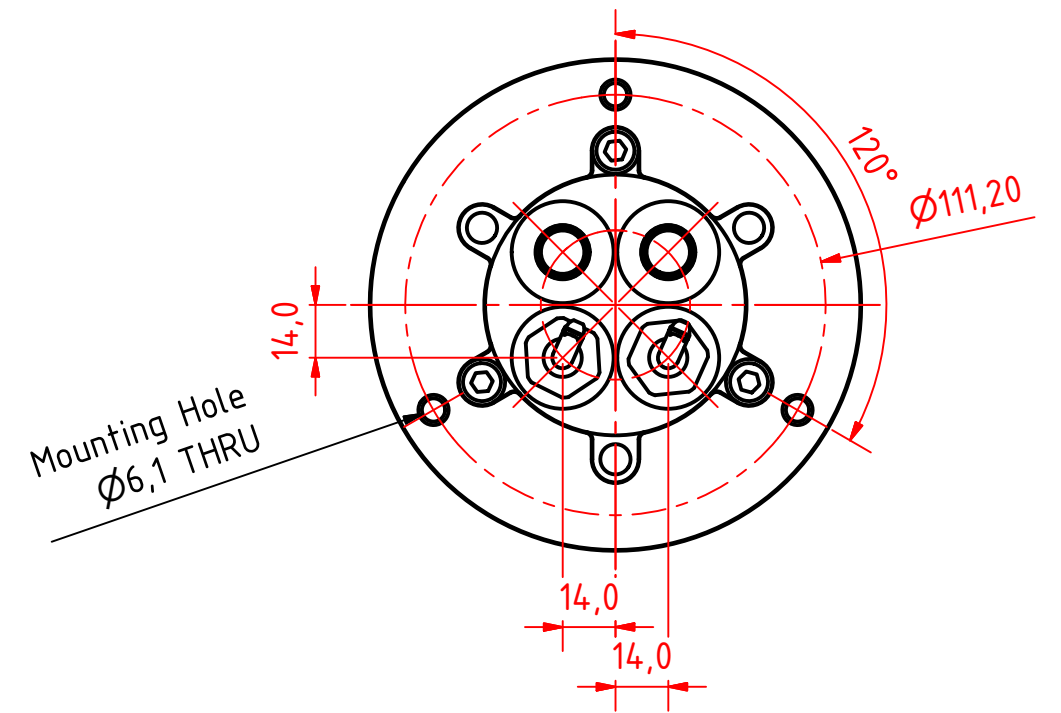
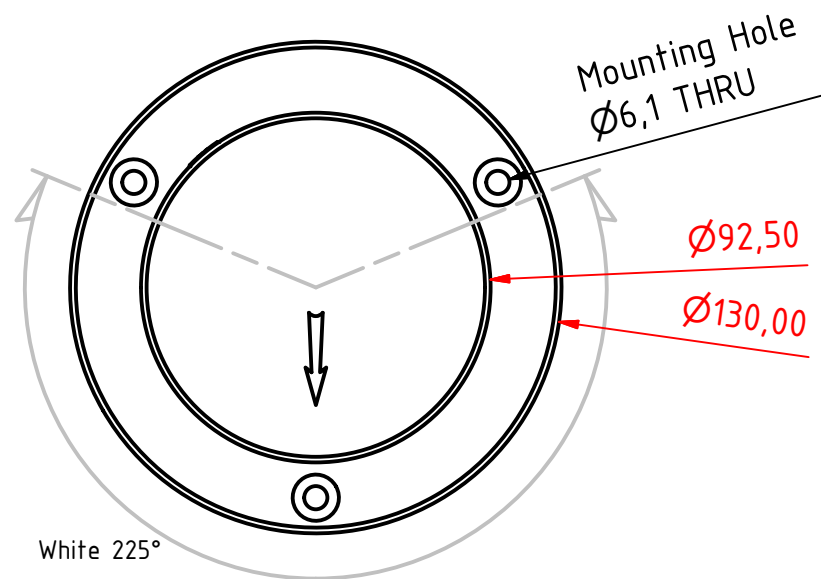
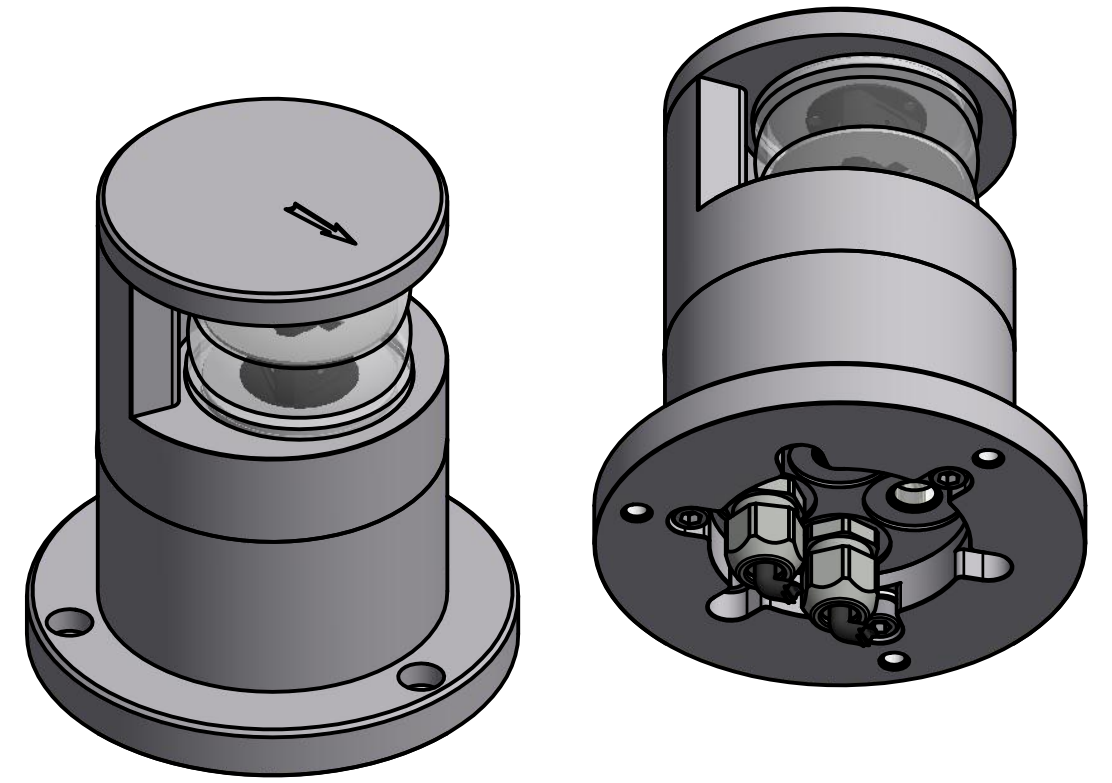
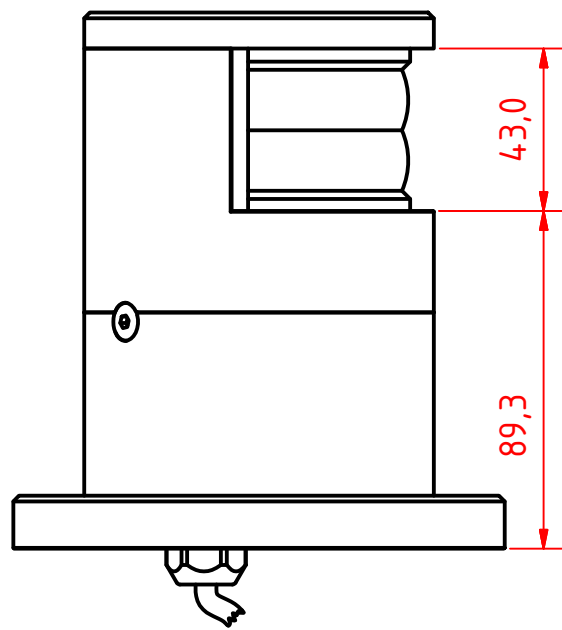
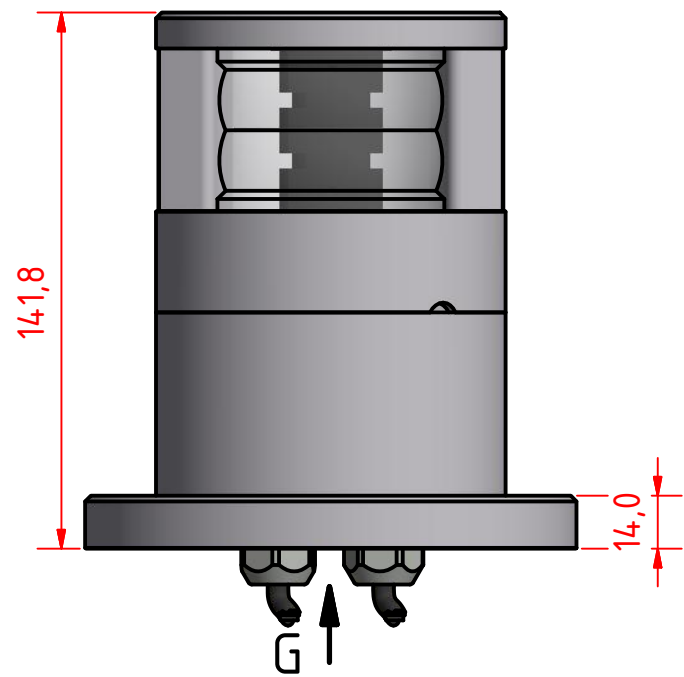
DRAWING NO.:	REV. NO.:	SIZE:	DRAWN BY:
300-038EA	0	A3	Sergio
SCALE:	TOLERANCES:	REVIEWED BY:	CREATION DATE:
1:1	DS/ISO 2768-f		25-01-2017

MATERIAL DESCRIPTION:  
 (20µ) Silver anodized according to EN ISO 7599  
 (50µ) Black anodized according to MIL-A 8625F

This Drawing, and the information within, is the property of Lopolight ApS and may not be used in any form without express permission there from. Lopolight reserves the right to change this drawing and assumes no liability for the information communicated herein. Use of dimensions and other information in this drawing is at the users own risk.



50MM AT A3



**300-038, MastHead Light 5 nm Double  
Horizontal Mount, 400-035  
Promount,400-401 Alu Base Plate, CD.**

DRAWING NO.: <b>300-038FA</b>	REV. NO.: <b>0</b>	SIZE: <b>A3</b>	DRAWN BY: <b>Sergio</b>
SCALE: <b>1:2</b>	TOLERANCES: <b>DS/ISO 2768-f</b>	REVIEWED BY:	CREATION DATE: <b>25-01-2017</b>

MATERIAL DESCRIPTION:  
**Alu EN 6082, Acrylic.** (20µ) Silver anodized according to EN ISO 7599  
(50µ) Black anodized according to MIL-A 8625F

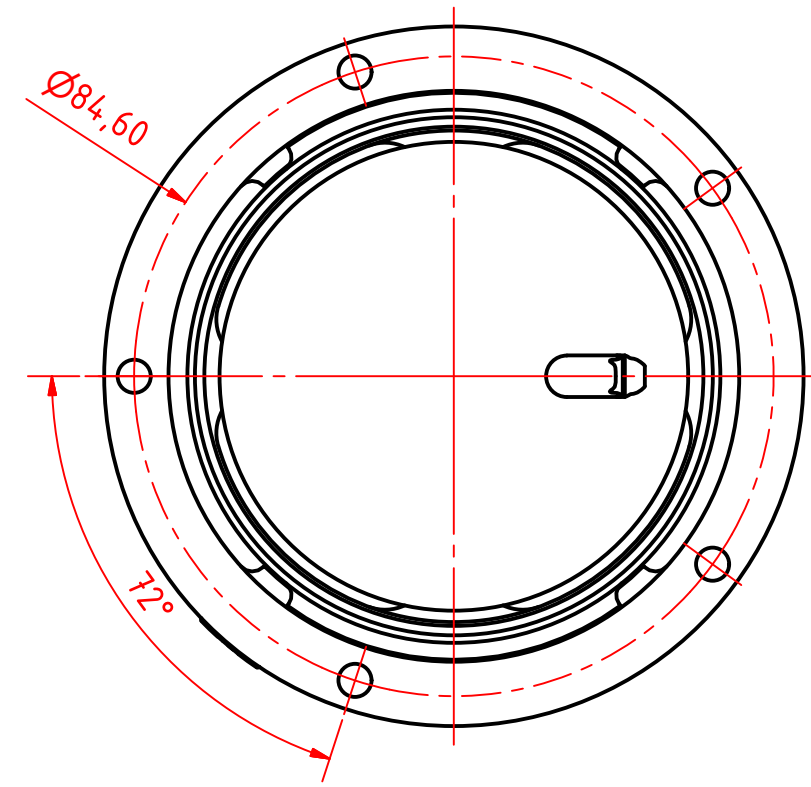
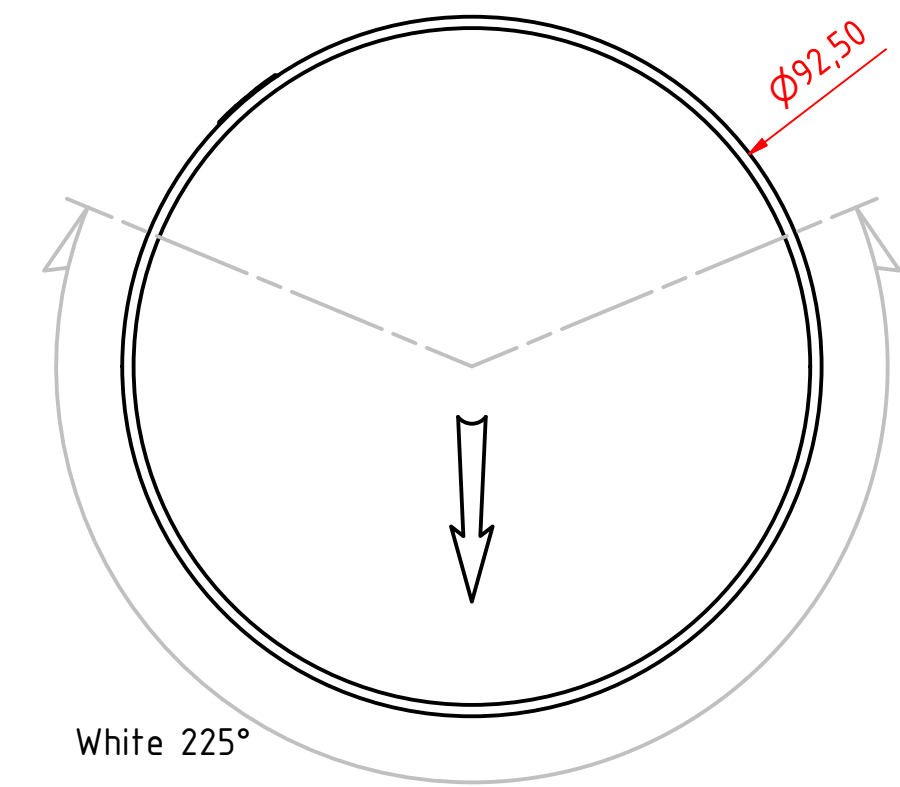
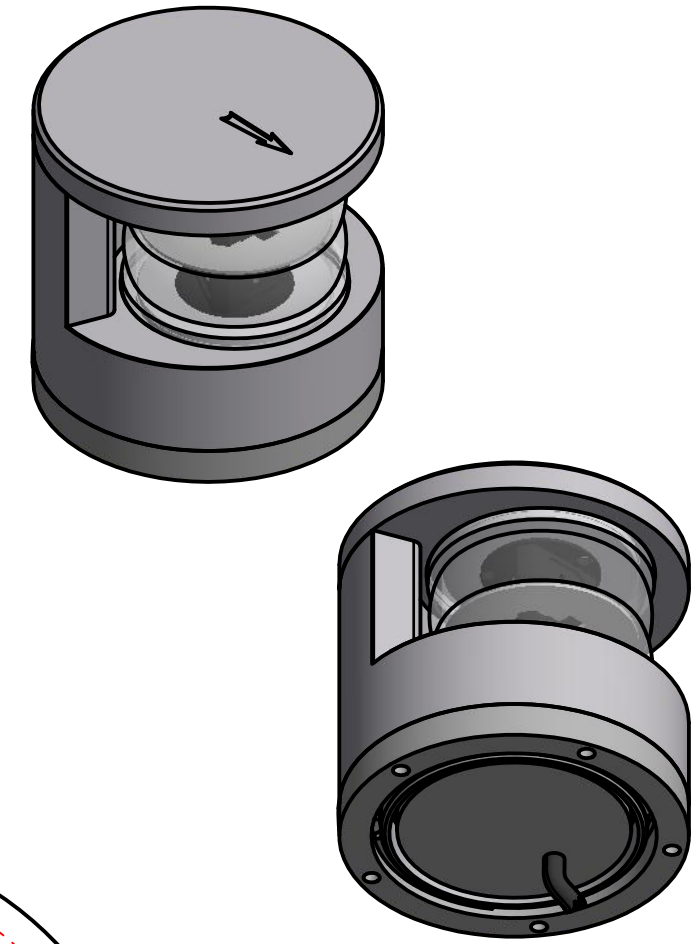
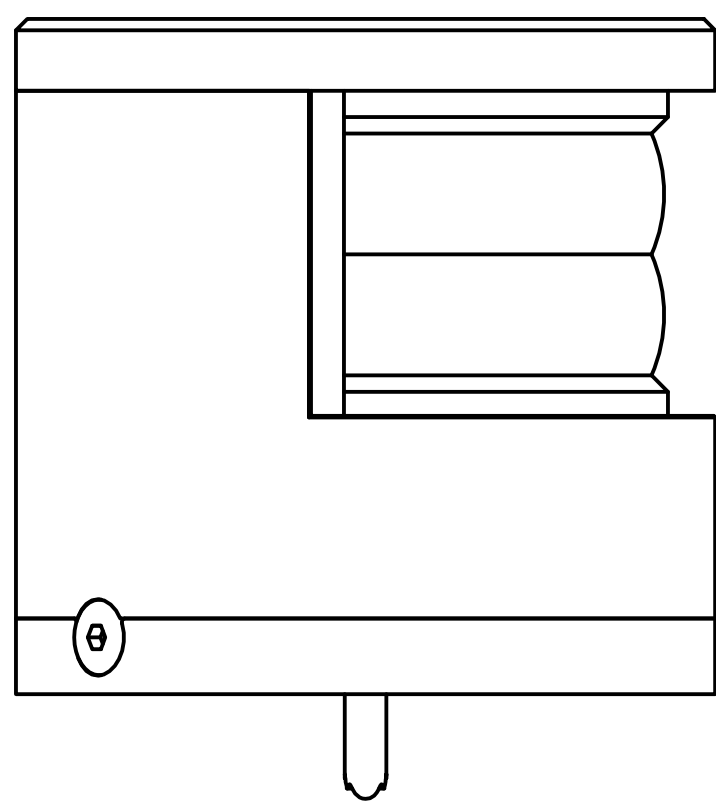
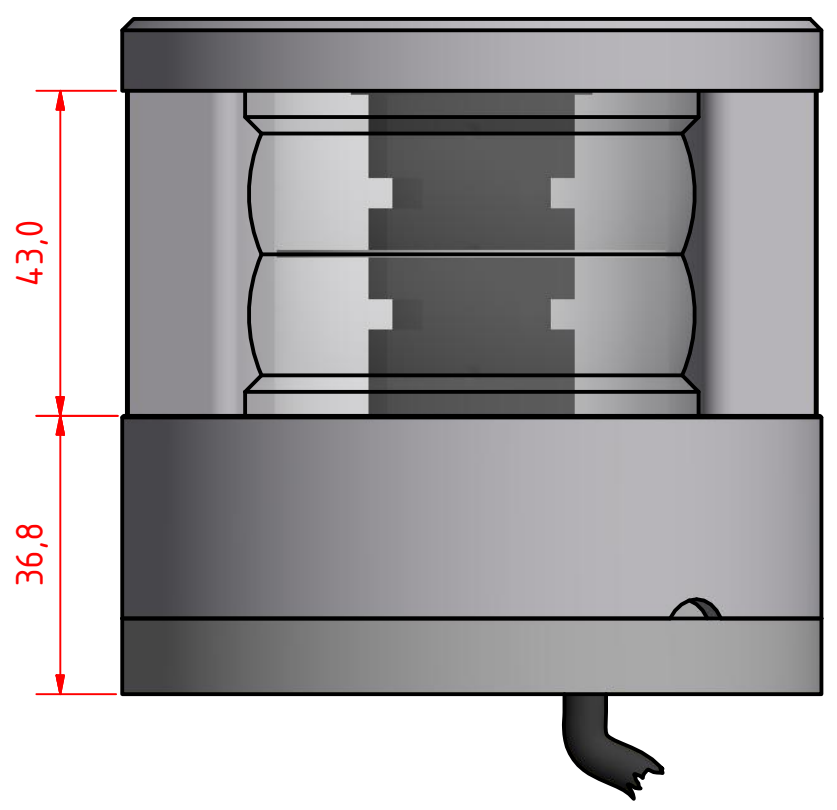
This Drawing, and the information within, is the property of Lopolight ApS and may not be used in any form without express permission there from. Lopolight reserves the right to change this drawing and assumes no liability for the information communicated herein. Use of dimensions and other information in this drawing is at the users own risk.





A | B | C | D | E | F | G | H | I | J

1  
2  
3  
4  
5  
6  
7  
8



**300-038, MastHead Light 5 nm Double Horizontal Mount on a low profile base**

DRAWING NO.: <b>300-038GA</b>	REV. NO.: <b>0</b>	SIZE: <b>A3</b>	DRAWN BY: <b>Sergio</b>
SCALE: <b>1:1</b>	TOLERANCES: <b>DS/ISO 2768-f</b>	REVIEWED BY:	CREATION DATE: <b>25-01-2017</b>
MATERIAL DESCRIPTION: <b>Alu EN 6082, Acrylic, PE</b> (20µ) Silver anodized according to EN ISO 7599 (50µ) Black anodized according to MIL-A 8625F			
This Drawing, and the information within, is the property of Lopolight ApS and may not be used in any form without express permission there from. Lopolight reserves the right to change this drawing and assumes no liability for the information communicated herein. Use of dimensions and other information in this drawing is at the users own risk.			



A | B | C | D | E | F | G | H | I | J

Learn more about boat navigation lights we have.