

112,5° PORT SIDELIGHT, SINGLE, VERTICALLY MOUNTED

1 nautical mile	101-002 (<12m / <39.4')
2 nautical miles	301-002 (12 – 50m / 39.4' – 164')
3 nautical miles	301-102 (>50m / >164')

This LED navigation light consists of a single high-power LED that produces light in the specified angle utilizing a special designed PMMA light guide.

The precision machined 6082 aluminium housing with an anodized surface makes the light a rugged and durable housing for the LEDs and electronics contained within.

The interior is completely filled with a special potting resin making it water- and vibration proof.

Produced in our in-house manufacturing facility to meet and exceed exacting standards such as EN14744 and UL1104, under a quality management system continuously surveyed by Lloyds Register Quality Assurance.

Each light is subjected to final testing for a minimum of 16 hours of continuous operation bringing the total test time beyond 24 hours.

This navigation light is in compliance with the following standards:

- COLREG72
- EN14744
- IEC 60945
- USCG (UL1104)

Together with an appropriate Control & Monitoring System, such as Lopolight's own NLC this navigation light can form part of an IMO MSC 253(83), LY3 and LY4 compliant system.



Technical specifications
101-002;

Vessel size: <12m (<39.4')

Visibility: >1 nautical mile

Intensity: >1,2cd

Power consumption: 0,7 Watt; Current: 0,05A @12 VDC - 0,03A @24 VDC

301-002;

Vessel size: 12m – 50m (39.4' - 164')

Visibility: >2 nautical miles

Intensity: >5,4cd

Power consumption: 1,2 Watt; Current: 0,09A @12 VDC - 0,05A @24 VDC

301-102;

Vessel size: >50m (>164')

Visibility: >3 nautical miles

Intensity: >15cd

Power consumption: 2 Watt; Current: 0,15A @12 VDC - 0,1A @24 VDC

Operating voltage: 10 - 32 VDC

Number of LEDs: 1

 Light colour: **Red**

Operating temperature: -25°C to +55°C

 IP rating: **IP68**

 Mounting: **Vertical**

 Connection: 1 cable consisting of 2 x 0,5 mm² leads, a screen and insulation.

- Red lead = Power
- Black lead = GND

Certification: USCG (UL1104): OK - Wheelmark: Pending

The product is in compliance with the following standard(s):

COLREG72 / EN14744 / IEC 60945 / USCG (UL1104)

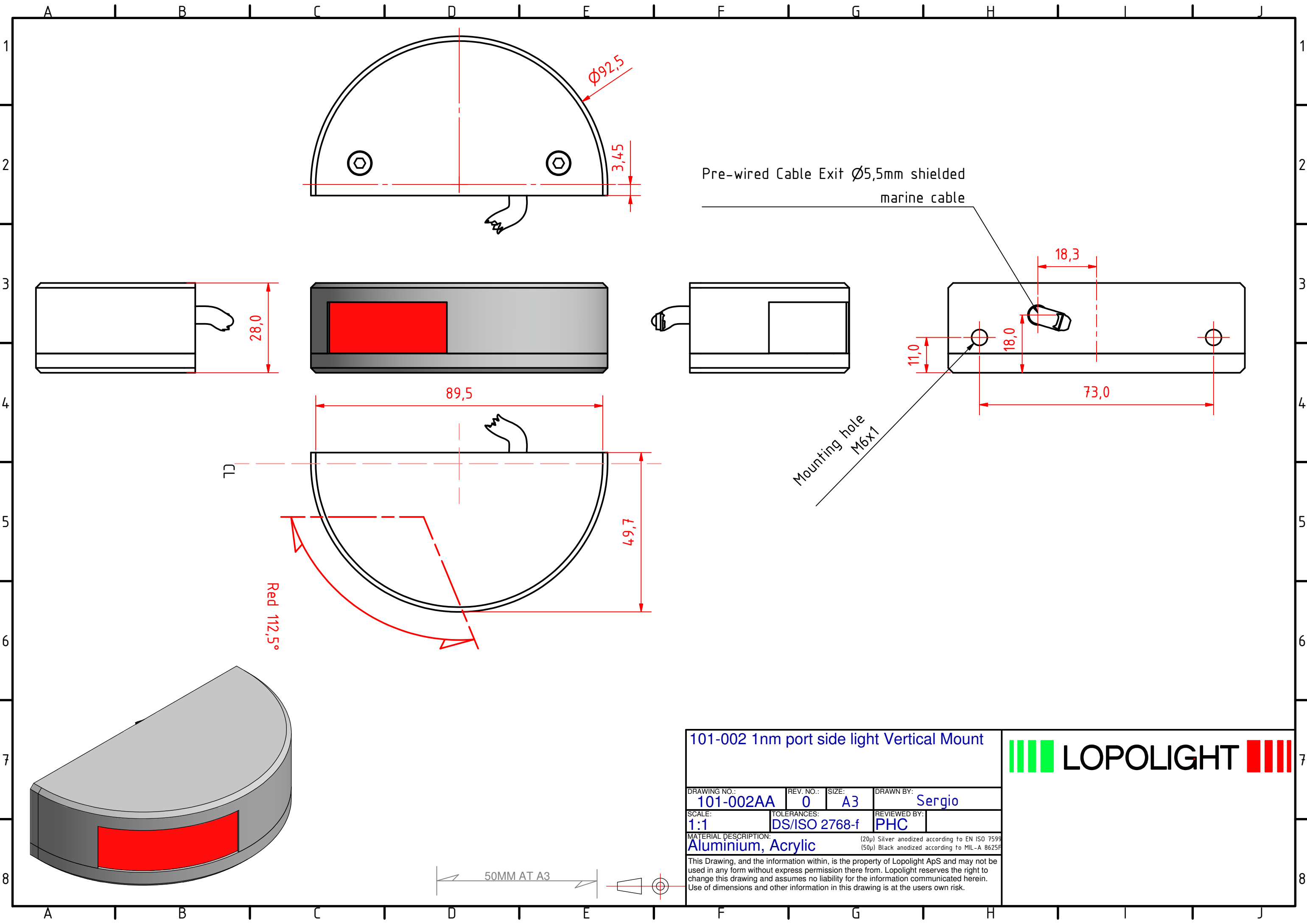
 Dimensions: **See drawing**

 Weight: **0,43kg**
Included in package:

- 1 pc. Navigation light, pre-cabled with 2,5m marine grade cable
- 2 pcs. Mounting screws (M6 x 8 mm)
- Installation instructions

Ordering information

VISIBILITY	CABLE LENGTH	PART NUMBER SILVER FINISH	PART NUMBER BLACK FINISH
1 nautical mile	2,5m / 8.2' (standard)	101-002	101-002-B
	6m / 19.7'	101-002 6M	101-002-B 6M
2 nautical miles	2,5m / 8.2' (standard)	301-002	301-002-B
	6m / 19.7'	301-002 6M	301-002-B 6M
3 nautical miles	2,5m / 8.2' (standard)	301-102	301-102-B
	6m / 19.7'	301-102 6M	301-102-B 6M



Pre-wired Cable Exit $\varnothing 5,5\text{mm}$ shielded marine cable

Mounting hole M6x1

Red 112,5°

101-002 1nm port side light Vertical Mount



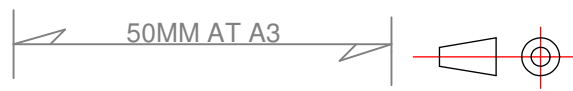
DRAWING NO.: 101-002AA	REV. NO.: 0	SIZE: A3	DRAWN BY: Sergio
---------------------------	----------------	-------------	---------------------

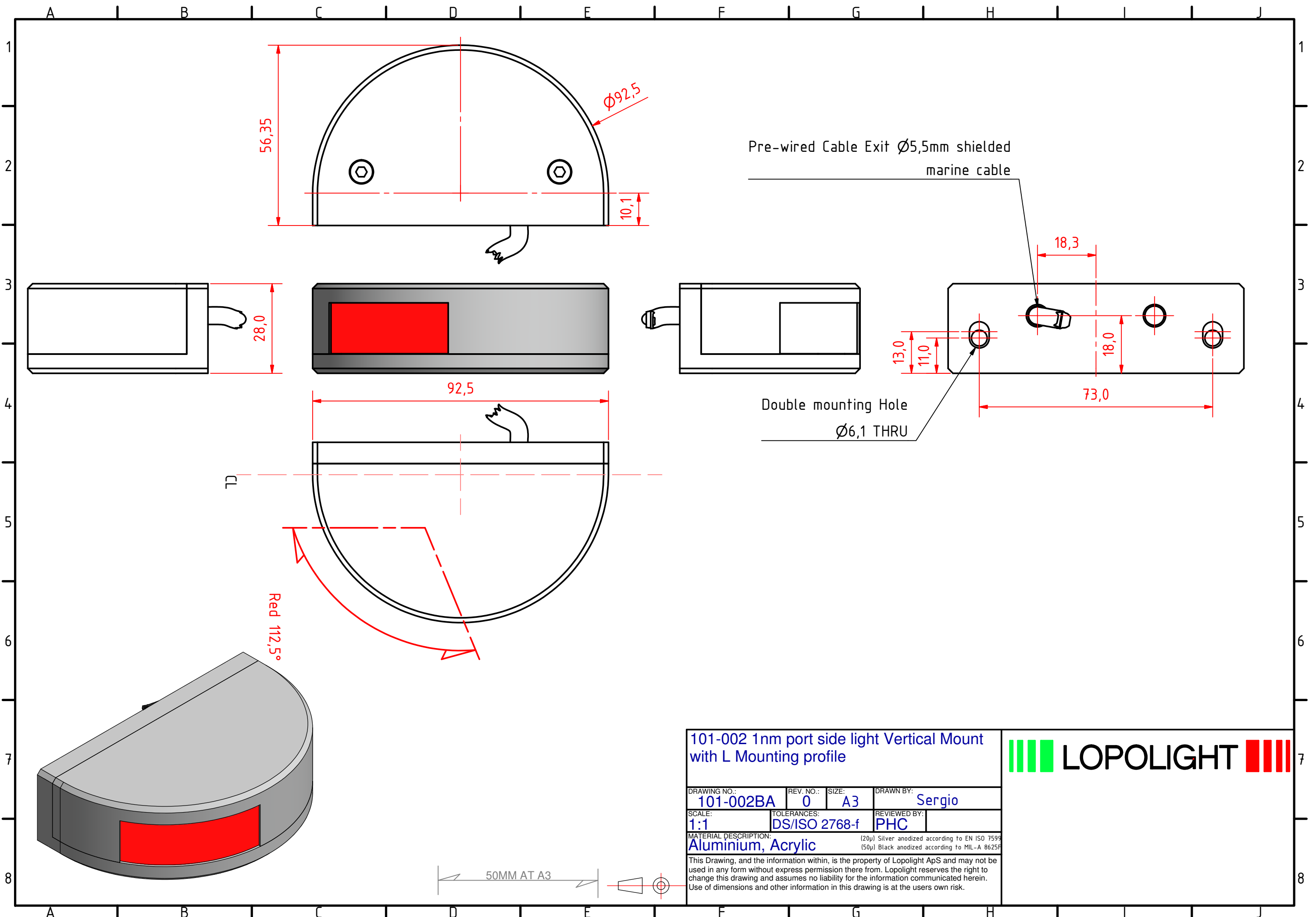
SCALE: 1:1	TOLERANCES: DS/ISO 2768-f	REVIEWED BY: PHC
---------------	------------------------------	---------------------

MATERIAL DESCRIPTION:
Aluminium, Acrylic

(20 μ) Silver anodized according to EN ISO 7599
(50 μ) Black anodized according to MIL-A 8625F

This Drawing, and the information within, is the property of Lopolight ApS and may not be used in any form without express permission there from. Lopolight reserves the right to change this drawing and assumes no liability for the information communicated herein. Use of dimensions and other information in this drawing is at the users own risk.





Pre-wired Cable Exit $\varnothing 5,5\text{mm}$ shielded marine cable

Double mounting Hole $\varnothing 6,1$ THRU

101-002 1nm port side light Vertical Mount with L Mounting profile

DRAWING NO.: 101-002BA	REV. NO.: 0	SIZE: A3	DRAWN BY: Sergio
SCALE: 1:1	TOLERANCES: DS/ISO 2768-f	REVIEWED BY: PHC	
MATERIAL DESCRIPTION: Aluminium, Acrylic		(20 μ) Silver anodized according to EN ISO 7599 (50 μ) Black anodized according to MIL-A 8625F	



This Drawing, and the information within, is the property of Lopolight ApS and may not be used in any form without express permission there from. Lopolight reserves the right to change this drawing and assumes no liability for the information communicated herein. Use of dimensions and other information in this drawing is at the users own risk.

