

301-008
2 NAUTICAL MILES
112,5° STARBOARD SIDELIGHT,
SINGLE, HORIZONTALLY MOUNTED

This LED navigation light consists of a single high-power LED that produces light in the specified angle utilizing a special designed PMMA light guide.

The precision machined 6082 aluminium housing with an anodized surface makes the light a rugged and durable housing for the LEDs and electronics contained within.

The interior is completely filled with a special potting resin making it water- and vibration proof.

Produced in our in-house manufacturing facility to meet and exceed exacting standards such as EN14744 and UL1104, under a quality management system continuously surveyed by Lloyds Register Quality Assurance.

Each light is subjected to final testing for a minimum of 16 hours of continuous operation bringing the total test time beyond 24 hours.

This navigation light is in compliance with the following standards:

- COLREG72
- EN14744
- IEC 60945
- USCG (UL1104)

Together with an appropriate Control & Monitoring System, such as Lopolight's own NLC this navigation light can form part of an IMO MSC 253(83), LY3 and LY4 compliant system.



Technical specifications

Vessel size: 12m – 50m (39.4' - 164')

Visibility: >2 nautical miles

Intensity: >5,4cd

Power consumption: 2,8 Watt; Current: 0,23A @ 12 VDC – 0,11A @ 24 VDC

Operating voltage: 10 - 32 VDC

Number of LEDs: 1

Light colour: **Green**

Operating temperature: -25°C to +55°C

IP rating: **IP68**

Mounting: **Horizontal**, see K-Lock sheet for options

Connection: 1 cable consisting of 2 x 0,5 mm² leads, a screen and insulation.

- Red lead = Power
- Black lead = GND

Certification: **Pending**.

The product is in compliance with the following standards:
COLREG72/ EN14744 / IEC 60945 / USCG (UL1104)

Dimensions: **See drawing**

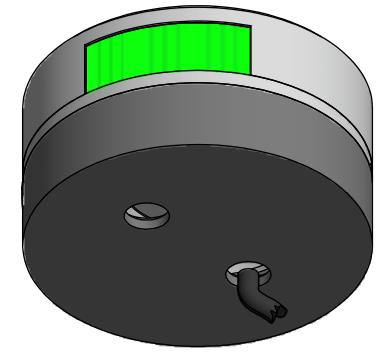
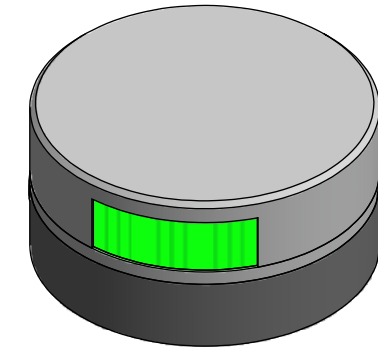
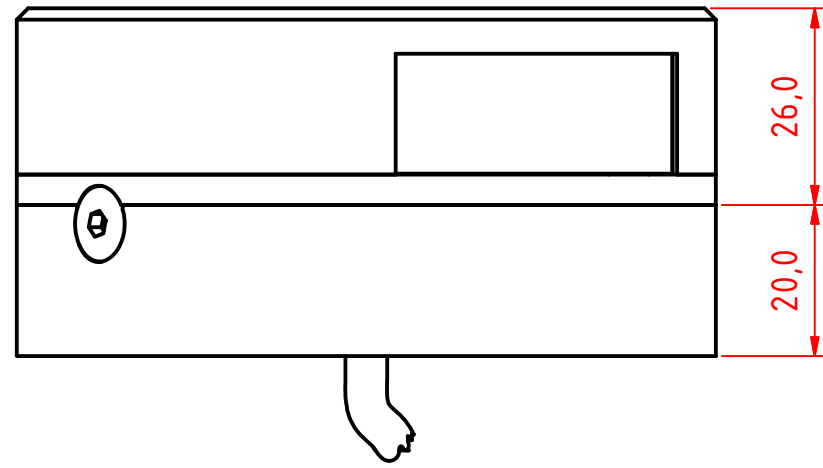
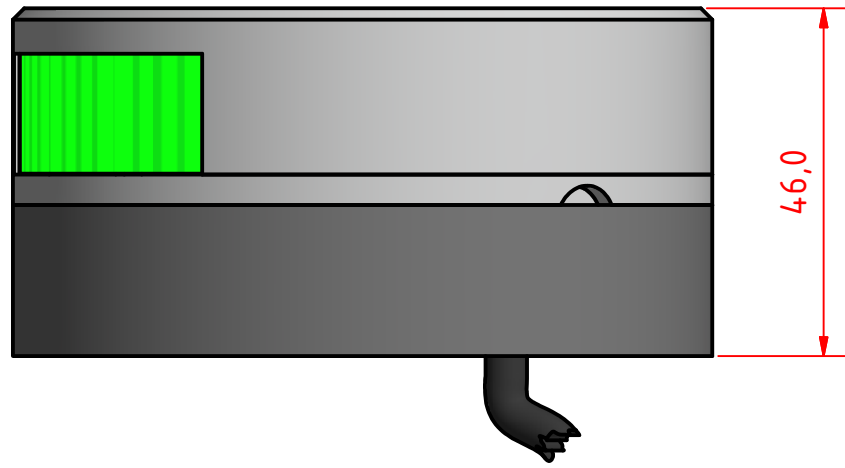
Weight: **0,63kg**

Included in the standard package:

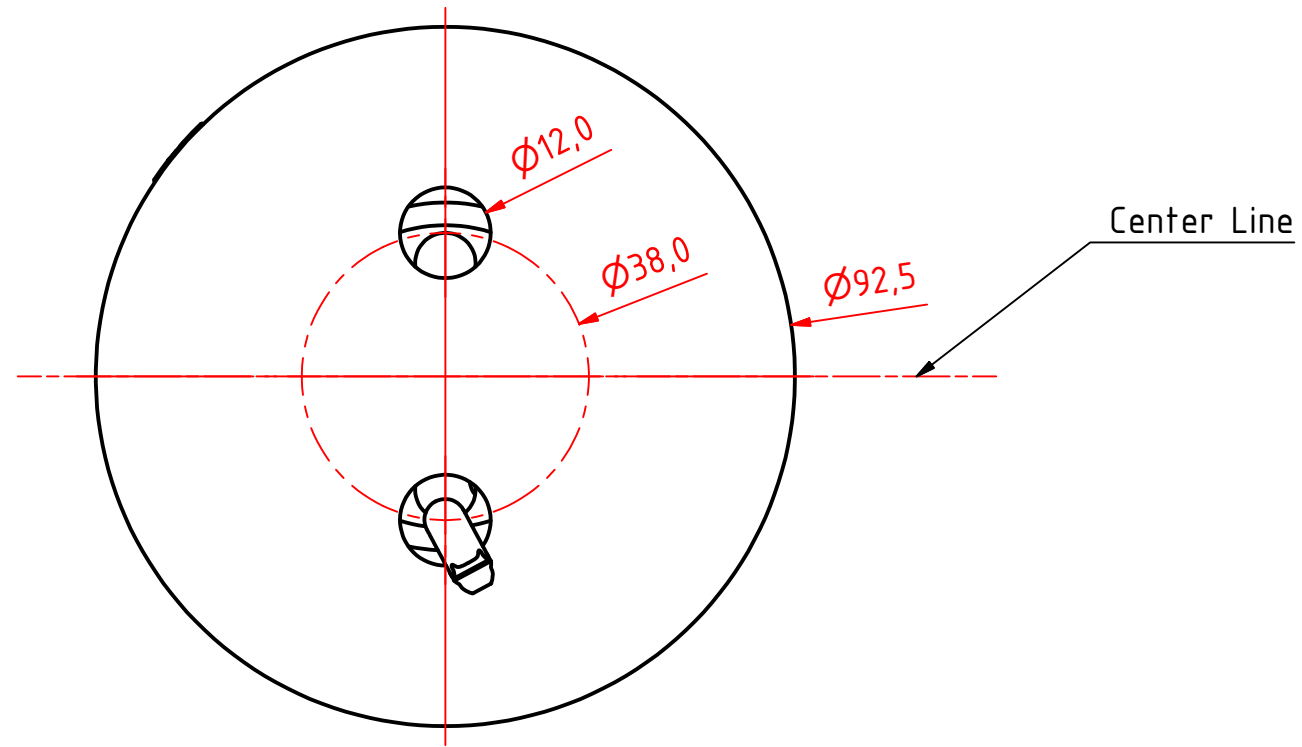
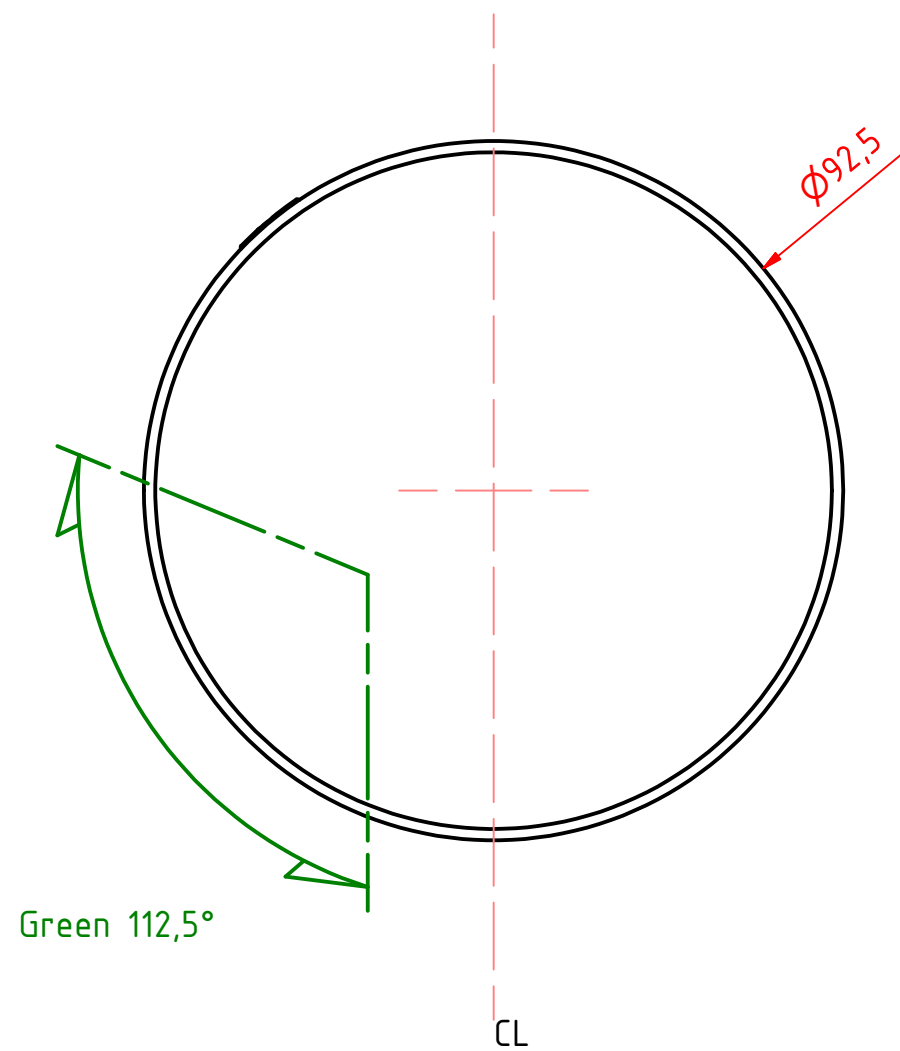
- 1 pc. Navigation light, pre-cabled with 2,5m marine grade cable on HDPE base
- Installation instructions

Ordering information

BASE OPTION	CABLE LENGTH	PART NUMBER SILVER FINISH	PART NUMBER BLACK FINISH
400-038 (drawing G) HDPE base (standard)	2,5m / 8.2'	301-008	301-008-B
400-034 (drawing A - D) CSCD base	2,5m / 8.2'	301-008-CSCD	301-008-B-CSCD
400-035 (drawing E - F) CD base	2,5m / 8.2'	301-008-CD	301-008-B-CD
400-036 (drawing I) Ultra low base	2,5m / 8.2'	301-008-UL	301-008-B-UL



Note:
The PE Plastic base is intended for fitting on site and can be either drilled for mounting screws from above. 6mm screws with nuts and washers are recommended for secure mounting.



301-008 2nm starboard sidelight, HM, on a 400-038 PE std base

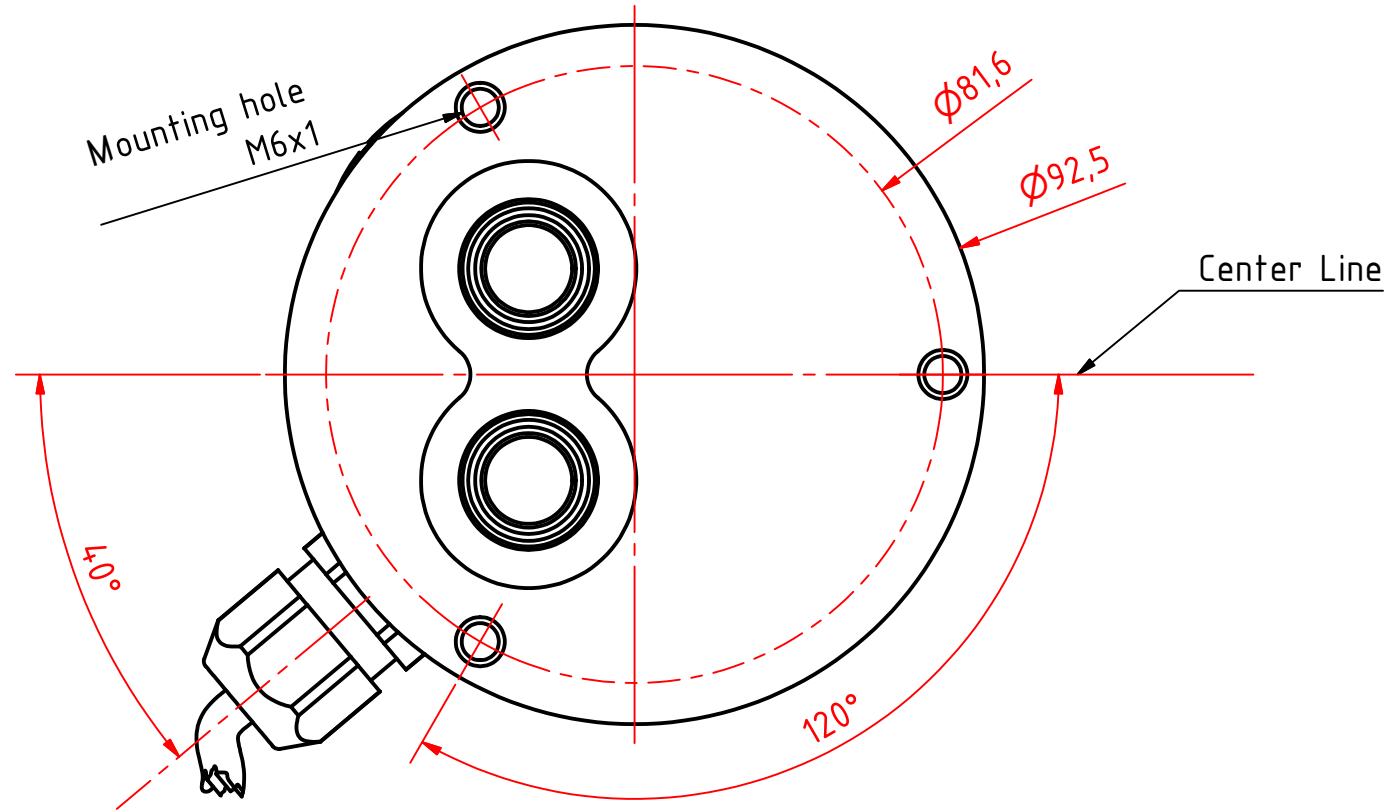
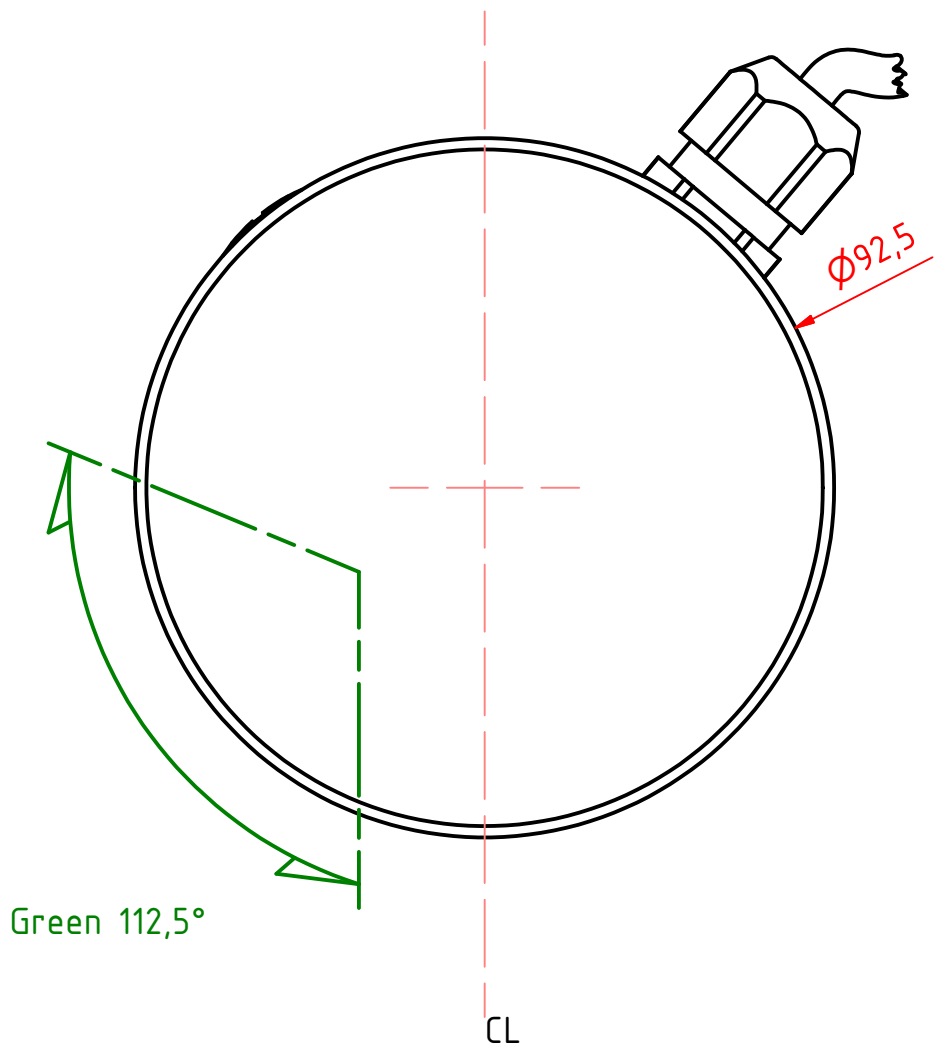
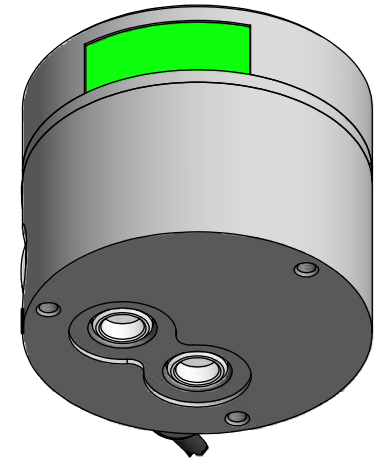
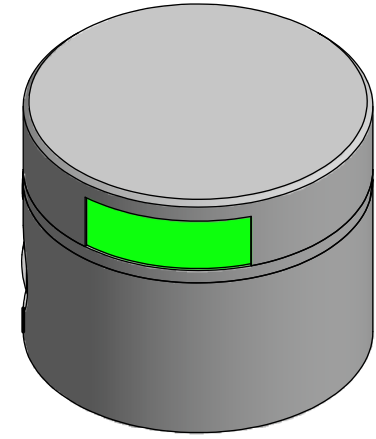
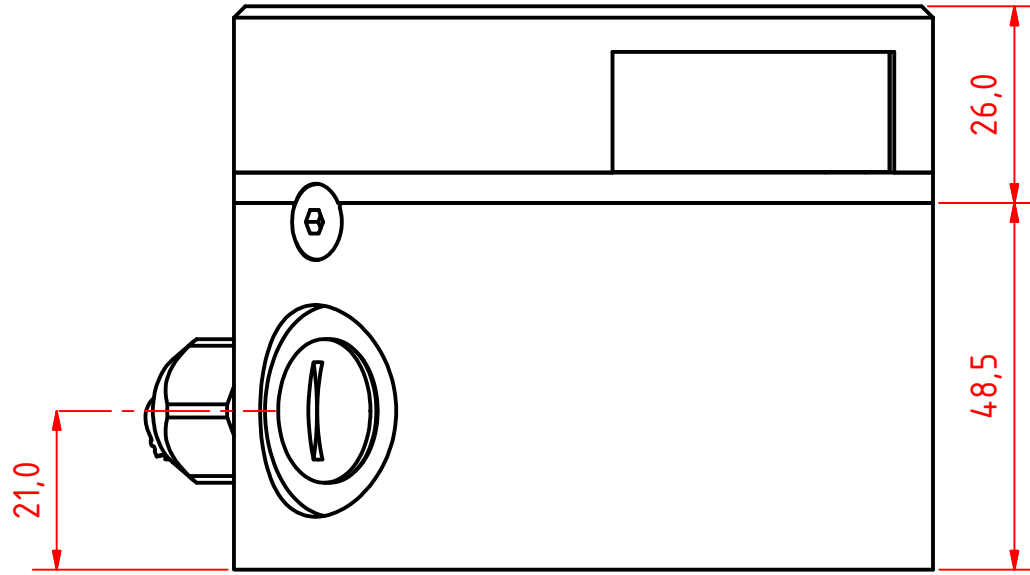
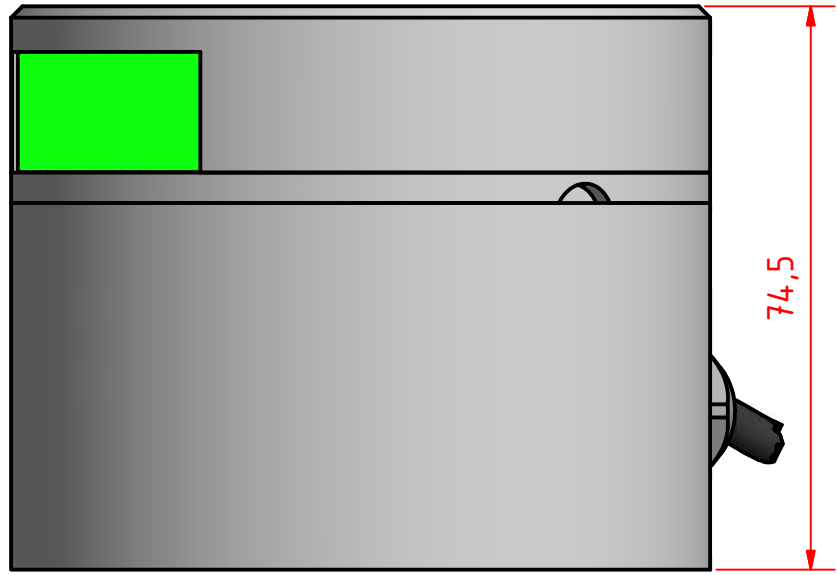
DRAWING NO.:	REV. NO.:	SIZE:	DRAWN BY:
301-008GA	0	A3	Sergio

SCALE:	TOLERANCES:	REVIEWED BY:
1:1	DS/ISO 2768-f	PHC

MATERIAL DESCRIPTION:
EN 6082, Acrylic, PE (20µ) Silver anodized according to EN ISO 7599 (50µ) Black anodized according to MIL-A 8625F

This Drawing, and the information within, is the property of Lopolight ApS and may not be used in any form without express permission there from. Lopolight reserves the right to change this drawing and assumes no liability for the information communicated herein. Use of dimensions and other information in this drawing is at the users own risk.





301-008 2nm starboard sidelight, HM, on a 400-034 Promount base, Cable Side

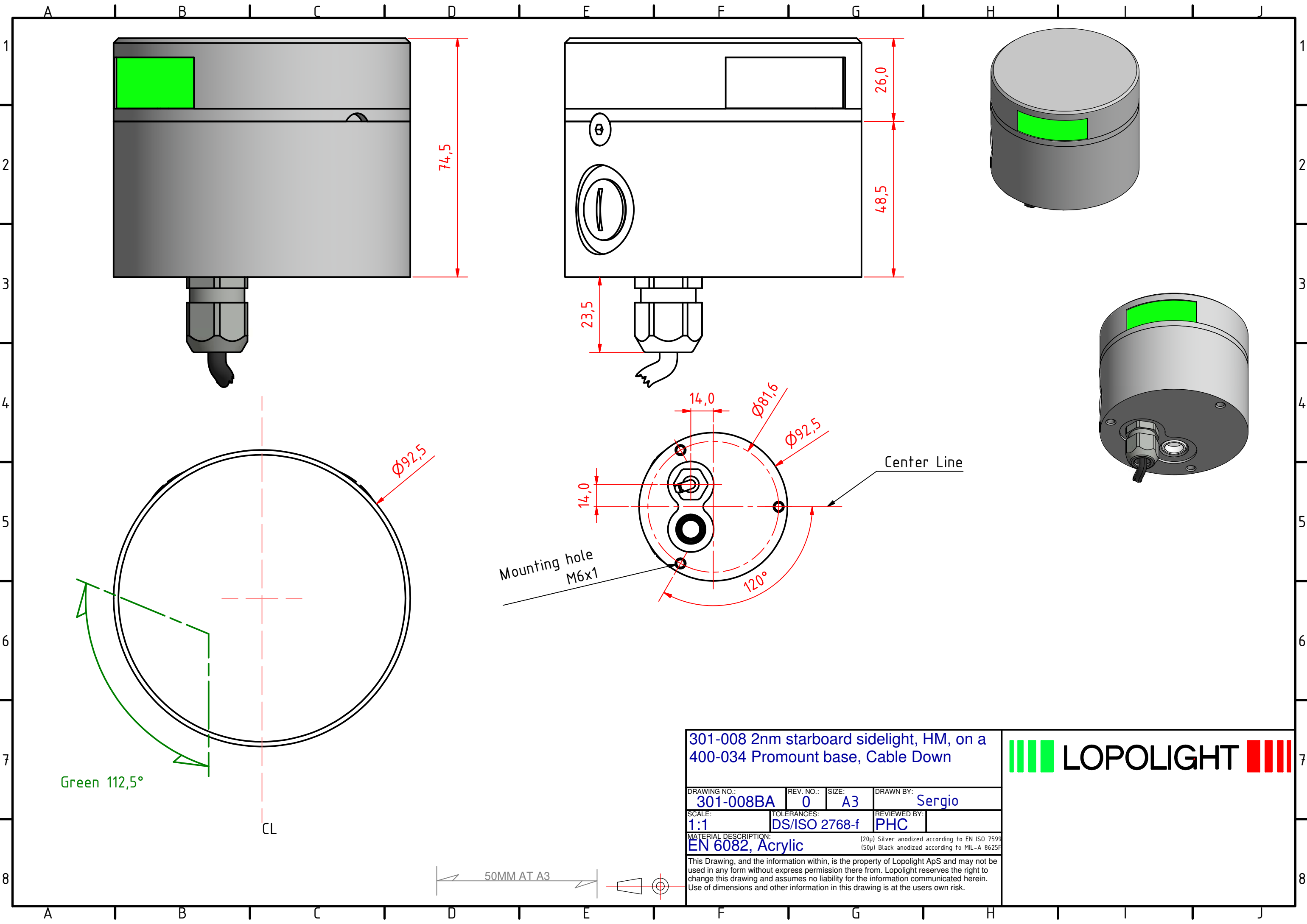
DRAWING NO.: 301-008AA REV. NO.: 0 SIZE: A3 DRAWN BY: Sergio

SCALE: 1:1 TOLERANCES: DS/ISO 2768-f REVIEWED BY: PHC

MATERIAL DESCRIPTION: EN 6082, Acrylic (20µ) Silver anodized according to EN ISO 7599 (50µ) Black anodized according to MIL-A 8625F

This Drawing, and the information within, is the property of Lopolight ApS and may not be used in any form without express permission there from. Lopolight reserves the right to change this drawing and assumes no liability for the information communicated herein. Use of dimensions and other information in this drawing is at the users own risk.





301-008 2nm starboard sidelight, HM, on a 400-034 Promount base, Cable Down

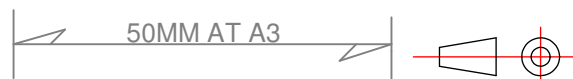
DRAWING NO.:	REV. NO.:	SIZE:	DRAWN BY:
301-008BA	0	A3	Sergio

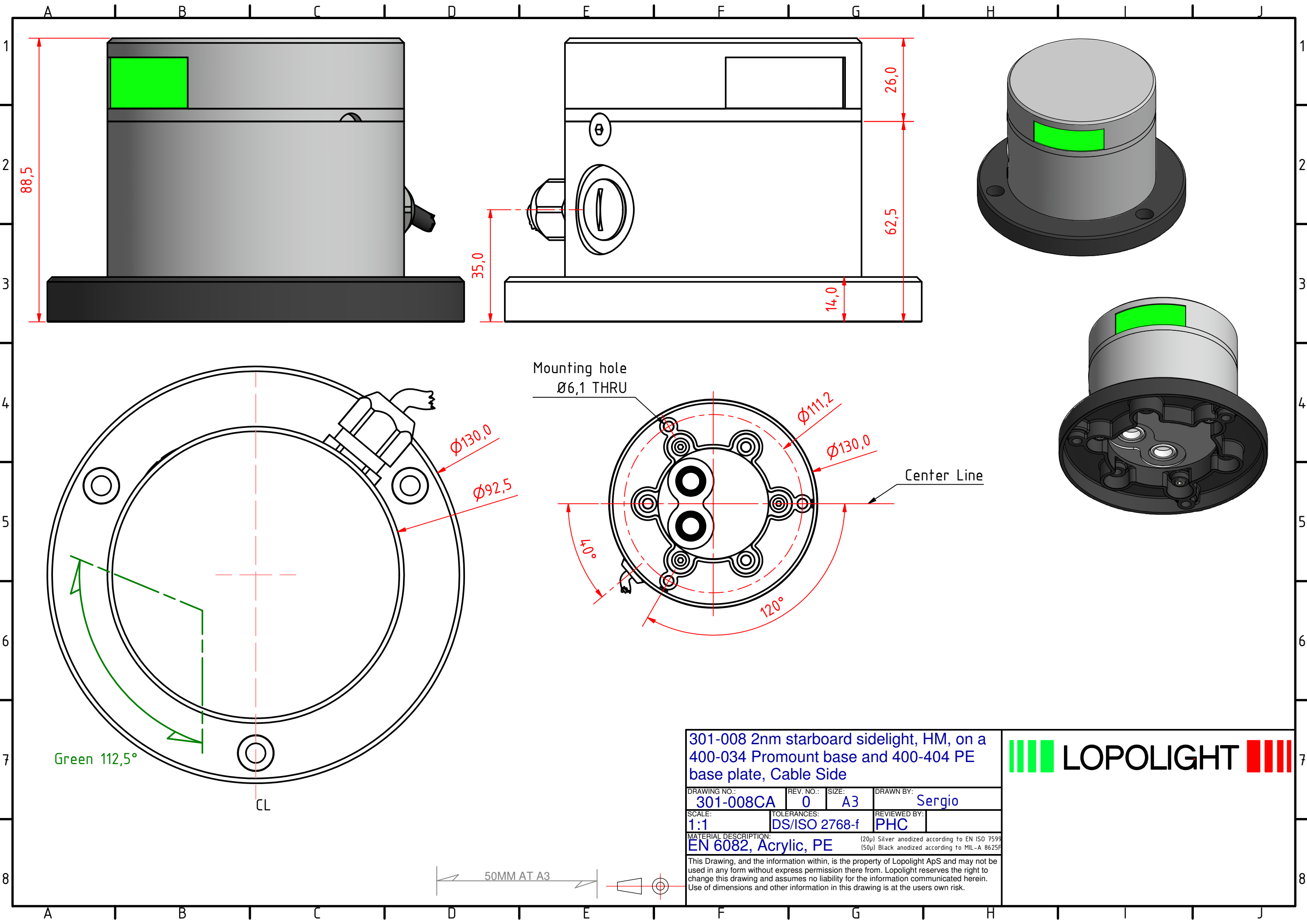
SCALE:	TOLERANCES:	REVIEWED BY:
1:1	DS/ISO 2768-f	PHC

MATERIAL DESCRIPTION: EN 6082, Acrylic

(20µ) Silver anodized according to EN ISO 7599
(50µ) Black anodized according to MIL-A 8625F

This Drawing, and the information within, is the property of Lopolight ApS and may not be used in any form without express permission there from. Lopolight reserves the right to change this drawing and assumes no liability for the information communicated herein. Use of dimensions and other information in this drawing is at the users own risk.





Mounting hole
Ø6,1 THRU

Center Line

Green 112,5°

CL

301-008 2nm starboard sidelight, HM, on a
400-034 Promount base and 400-404 PE
base plate, Cable Side

DRAWING NO.:	REV. NO.:	SIZE:	DRAWN BY:
301-008CA	0	A3	Sergio

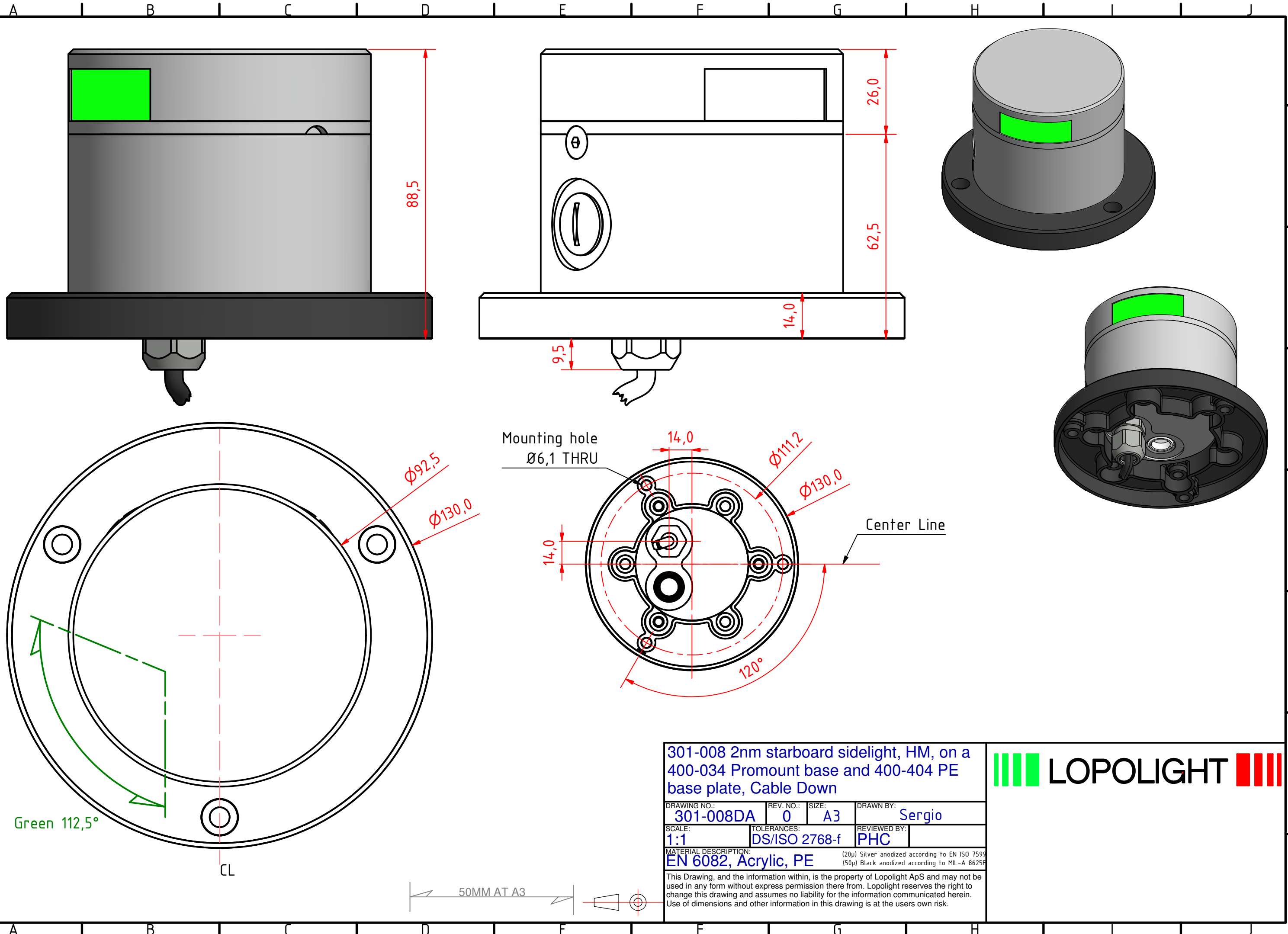
SCALE:	TOLERANCES:	REVIEWED BY:
1:1	DS/ISO 2768-f	PHC

MATERIAL DESCRIPTION:
EN 6082, Acrylic, PE (20µ) Silver anodized according to EN ISO 7599
(50µ) Black anodized according to MIL-A 8625F

This Drawing, and the information within, is the property of Lopolight ApS and may not be used in any form without express permission there from. Lopolight reserves the right to change this drawing and assumes no liability for the information communicated herein. Use of dimensions and other information in this drawing is at the users own risk.



50MM AT A3



301-008 2nm starboard sidelight, HM, on a 400-034 Promount base and 400-404 PE base plate, Cable Down

DRAWING NO.:	REV. NO.:	SIZE:	DRAWN BY:
301-008DA	0	A3	Sergio

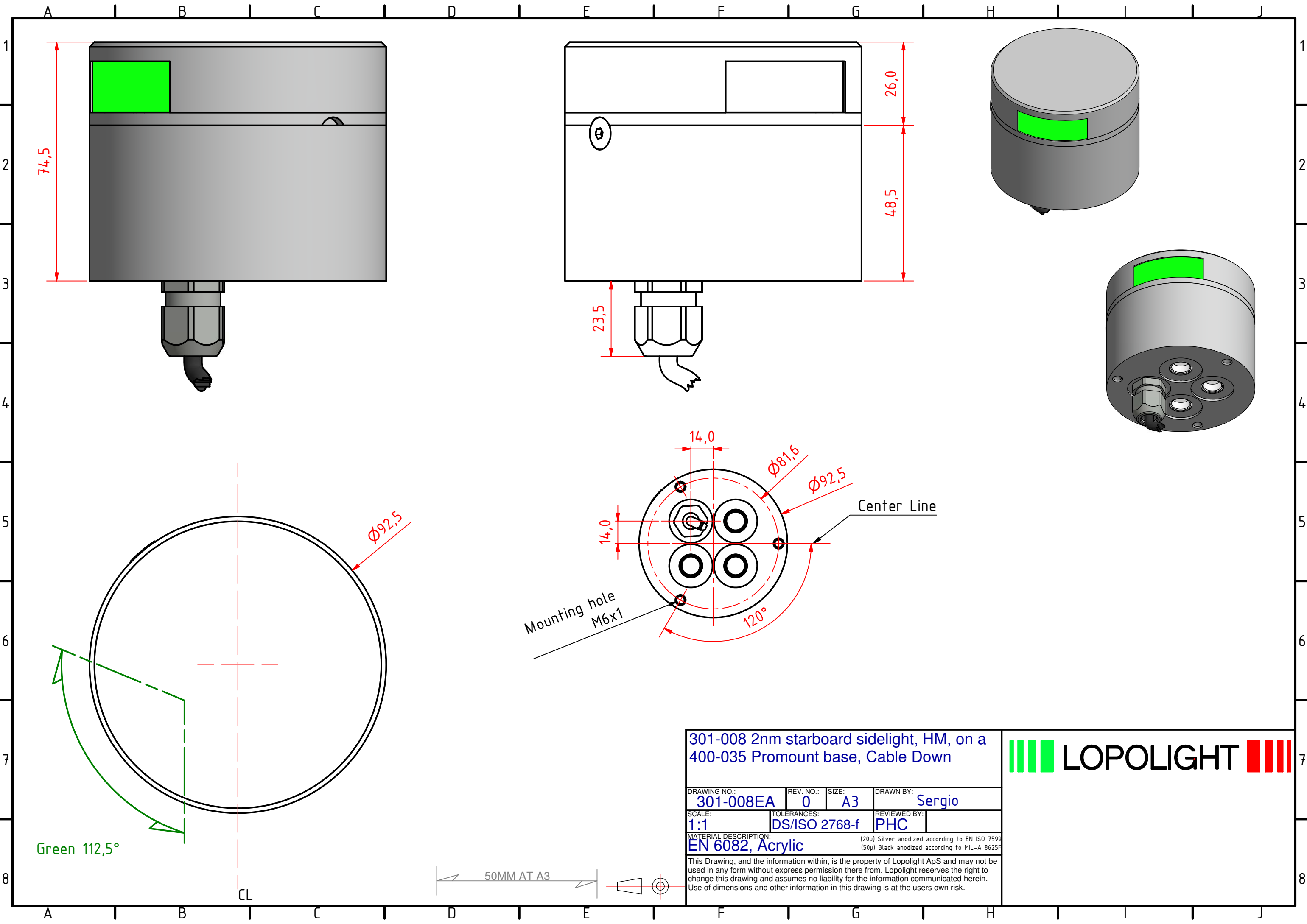
SCALE:	TOLERANCES:	REVIEWED BY:
1:1	DS/ISO 2768-f	PHC

MATERIAL DESCRIPTION: EN 6082, Acrylic, PE (20µ) Silver anodized according to EN ISO 7599 (50µ) Black anodized according to MIL-A 8625F

This Drawing, and the information within, is the property of Lopolight ApS and may not be used in any form without express permission there from. Lopolight reserves the right to change this drawing and assumes no liability for the information communicated herein. Use of dimensions and other information in this drawing is at the users own risk.



50MM AT A3



301-008 2nm starboard sidelight, HM, on a 400-035 Promount base, Cable Down

DRAWING NO.: 301-008EA REV. NO.: 0 SIZE: A3 DRAWN BY: Sergio

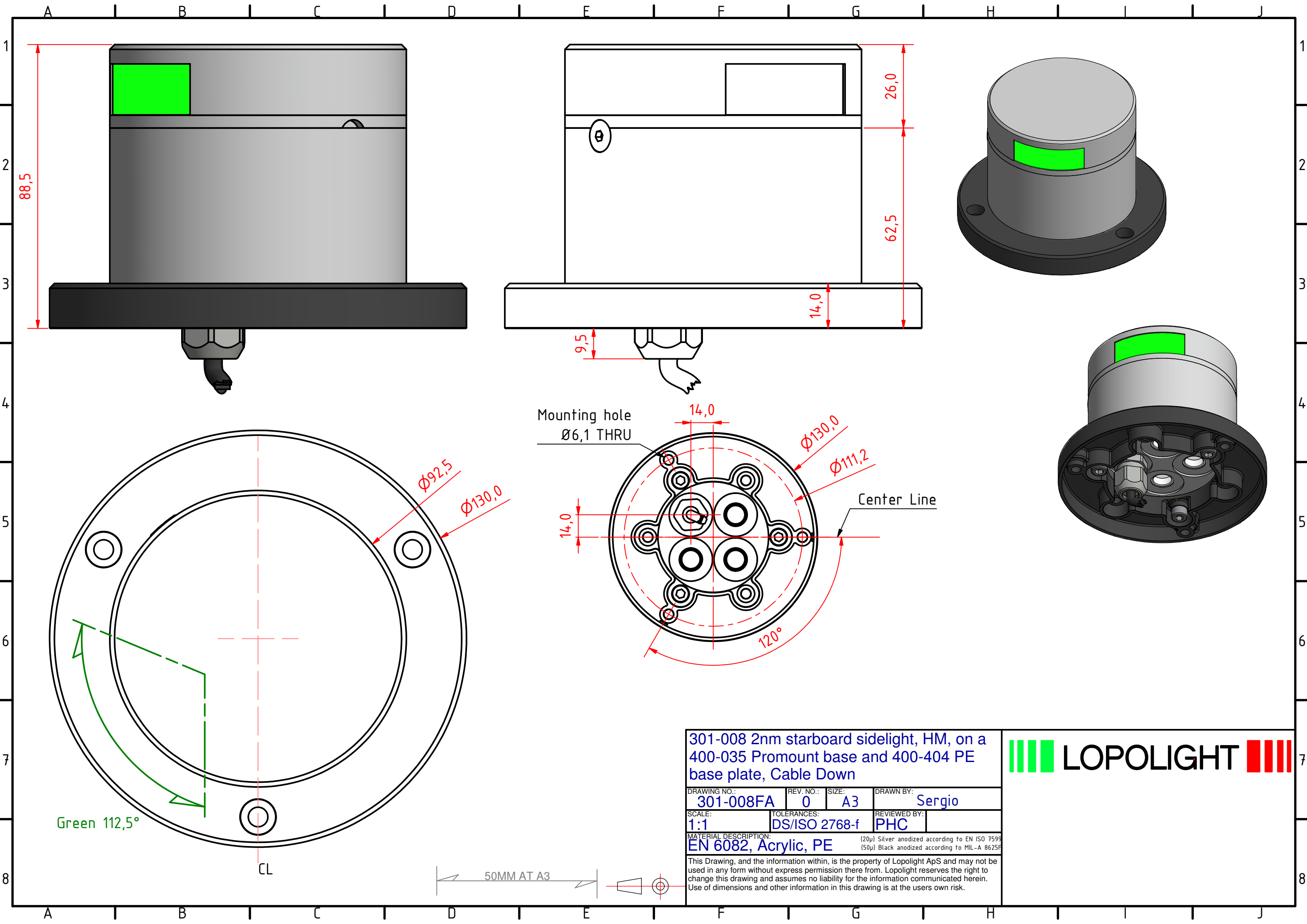
SCALE: 1:1 TOLERANCES: DS/ISO 2768-f REVIEWED BY: PHC

MATERIAL DESCRIPTION: EN 6082, Acrylic (20µ) Silver anodized according to EN ISO 7599 (50µ) Black anodized according to MIL-A 8625F

This Drawing, and the information within, is the property of Lopolight ApS and may not be used in any form without express permission there from. Lopolight reserves the right to change this drawing and assumes no liability for the information communicated herein. Use of dimensions and other information in this drawing is at the users own risk.



50MM AT A3



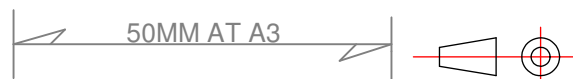
301-008 2nm starboard sidelight, HM, on a
400-035 Promount base and 400-404 PE
base plate, Cable Down

DRAWING NO.:	REV. NO.:	SIZE:	DRAWN BY:
301-008FA	0	A3	Sergio

SCALE:	TOLERANCES:	REVIEWED BY:
1:1	DS/ISO 2768-f	PHC

MATERIAL DESCRIPTION:
EN 6082, Acrylic, PE (20µ) Silver anodized according to EN ISO 7599
(50µ) Black anodized according to MIL-A 8625F

This Drawing, and the information within, is the property of Lopolight ApS and may not be used in any form without express permission there from. Lopolight reserves the right to change this drawing and assumes no liability for the information communicated herein. Use of dimensions and other information in this drawing is at the users own risk.

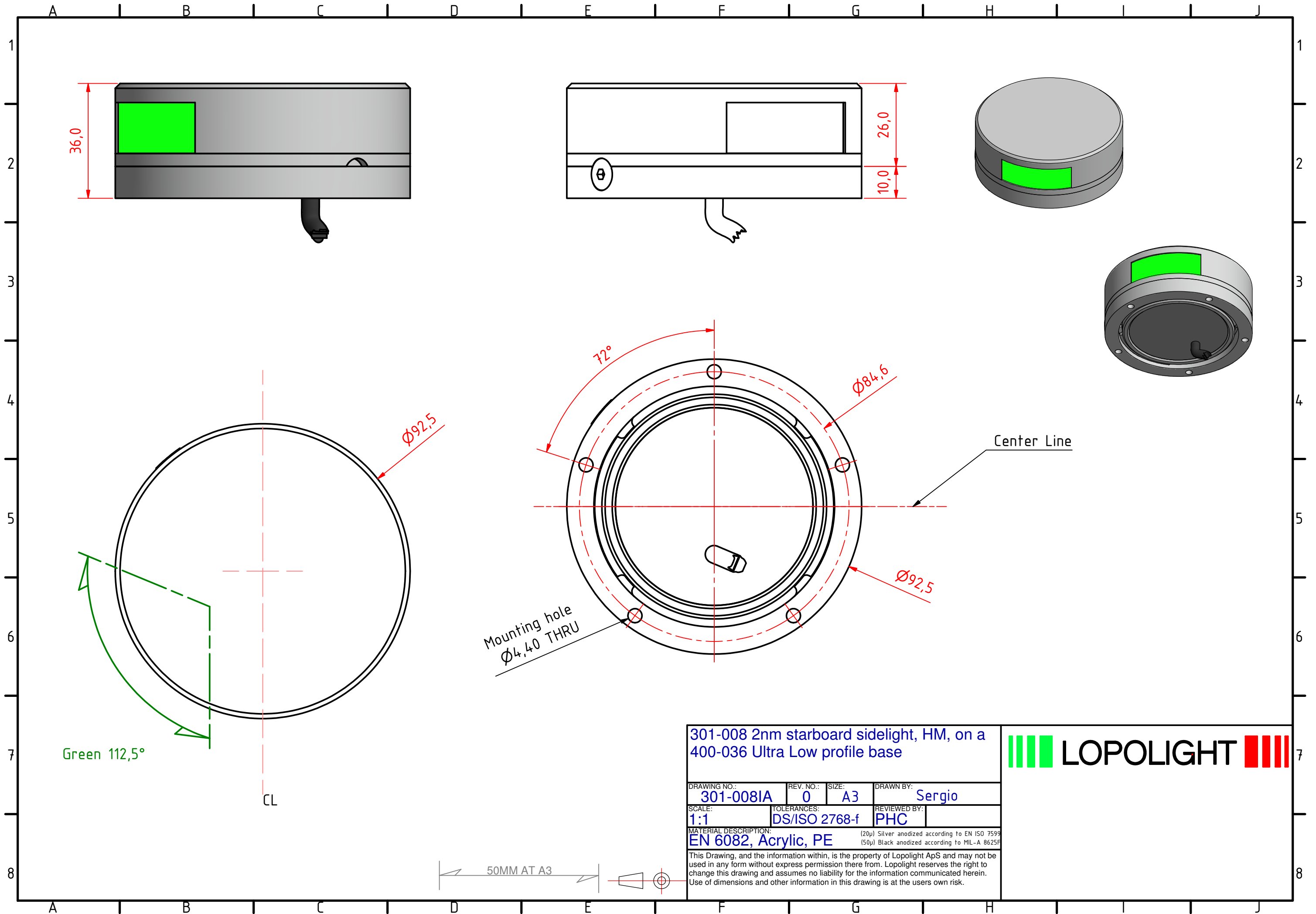


Green 112,5°

CL

Mounting hole
Ø6,1 THRU

Center Line



301-008 2nm starboard sidelight, HM, on a 400-036 Ultra Low profile base

DRAWING NO.: 301-008IA	REV. NO.: 0	SIZE: A3	DRAWN BY: Sergio
SCALE: 1:1	TOLERANCES: DS/ISO 2768-f	REVIEWED BY: PHC	
MATERIAL DESCRIPTION: EN 6082, Acrylic, PE			
<small>(20μ) Silver anodized according to EN ISO 7599 (50μ) Black anodized according to MIL-A 8625F</small>			
<small>This Drawing, and the information within, is the property of Lopolight ApS and may not be used in any form without express permission there from. Lopolight reserves the right to change this drawing and assumes no liability for the information communicated herein. Use of dimensions and other information in this drawing is at the users own risk.</small>			

