

301-108ST
3 NAUTICAL MILES
112,5° STARBOARD LIGHT
DOUBLE, HORIZONTALLY MOUNTED

This LED navigation light consists of two individual lights, each with a single high-power LED that produces light in the specified angle utilizing special designed PMMA light guides. Each light can be activated separately.

The precision machined 6082 aluminium housing with an anodized surface makes the light a rugged and durable housing for the LEDs and electronics contained within.

The interior is completely filled with a special potting resin making it water- and vibration proof.

Produced in our in-house manufacturing facility to meet and exceed exacting standards such as EN14744 and UL1104, under a quality management system continuously surveyed by Lloyds Register Quality Assurance.

Each light is subjected to final testing for a minimum of 16 hours of continuous operation bringing the total test time beyond 24 hours.

This navigation light is in compliance with the following standards:

- COLREG72
- EN14744
- IEC 60945
- USCG (UL1104)

Together with an appropriate Control & Monitoring System, such as Lopolight's own NLC this navigation light can form part of an IMO MSC 253(83), LY3 and LY4 compliant system.



Technical specifications

Vessel size: > 50m (>164')

Visibility: >3 nautical miles

Intensity: >15cd

Power consumption: 6,1 Watt; Current: 0,51A @ 12 VDC – 0,25A @ 24 VDC

Operating voltage: 10 - 32 VDC

Number of LEDs: 1/1

Light colour: **Green**

Operating temperature: -25°C to +55°C

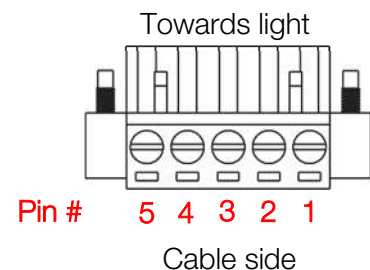
IP rating: **IP68**

Mounting: **Horizontal**, see K-Lock sheet for options

Connection: 4 M20x1.5 thread borings for cable glands located on the side and bottom (see drawing for details).

Cabling: 2 cables consisting of 2 x 0,5 mm² leads, a screen and insulation.

- Pin 1 - Red lead = Primary light power
- Pin 2 - Black lead = Primary light GND
- Pin 3 – No lead = Not used
- Pin 4 – Red lead = Secondary light power
- Pin 5 – Black lead = Secondary light GND



Certification: **Pending**

The product is in compliance with the following standards:
COLREG72/ EN14744 / IEC 60945 / USCG (UL1104)

Dimensions: **See drawing**

Weight: **1,6kg**

Warranty:

Lopolight products are covered by a 5-year limited warranty.

Warranty conditions can be found on www.lopolight.com/Service

Included in the standard package:

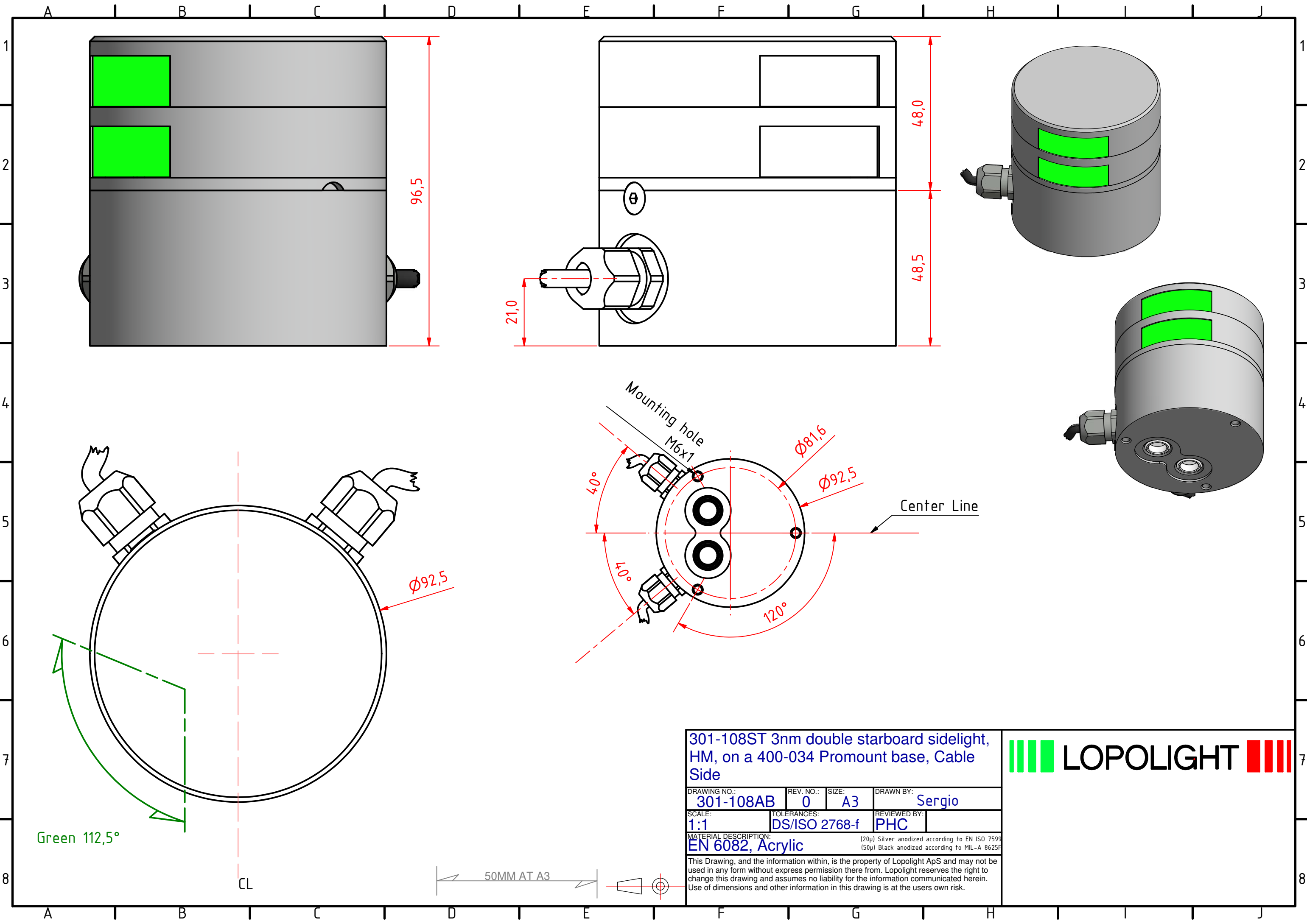
- 1 pc. Double navigation light on 400-034 aluminium base
- 1 pc. HDPE base plate
- 2 pcs. M20x1.5 cable gland (cable diameters 7 – 13mm)
- 2 pcs. M20x1.5 blinding caps
- 1 pc. 5-pin connector plug
- Installation instructions

Ordering information

BASE OPTION	PART NUMBER SILVER FINISH	PART NUMBER BLACK FINISH
400-034 (drawing A - D) CSCD base (Standard)	301-108ST	301-108ST-B
400-035 (drawing E - F) CD base	301-108ST-CD	301-108ST-B-CD

Cabling options

Cable length	Part number
2m / 6.6' 2-lead cable with connector	400-300-2M
4m / 13.1' 2-lead cable with connector	400-300-4M
6m / 19.7' 2-lead cable with connector	400-300-6M
10m / 32.8' 2-lead cable with connector	400-300-10M
12m / 39.4' 2-lead cable with connector	400-300-12M
15m / 49.1' 2-lead cable with connector	400-300-15M
20m / 65.6' 2-lead cable with connector	400-300-20M



Green 112,5°

CL

50MM AT A3

301-108ST 3nm double starboard sidelight, HM, on a 400-034 Promount base, Cable Side

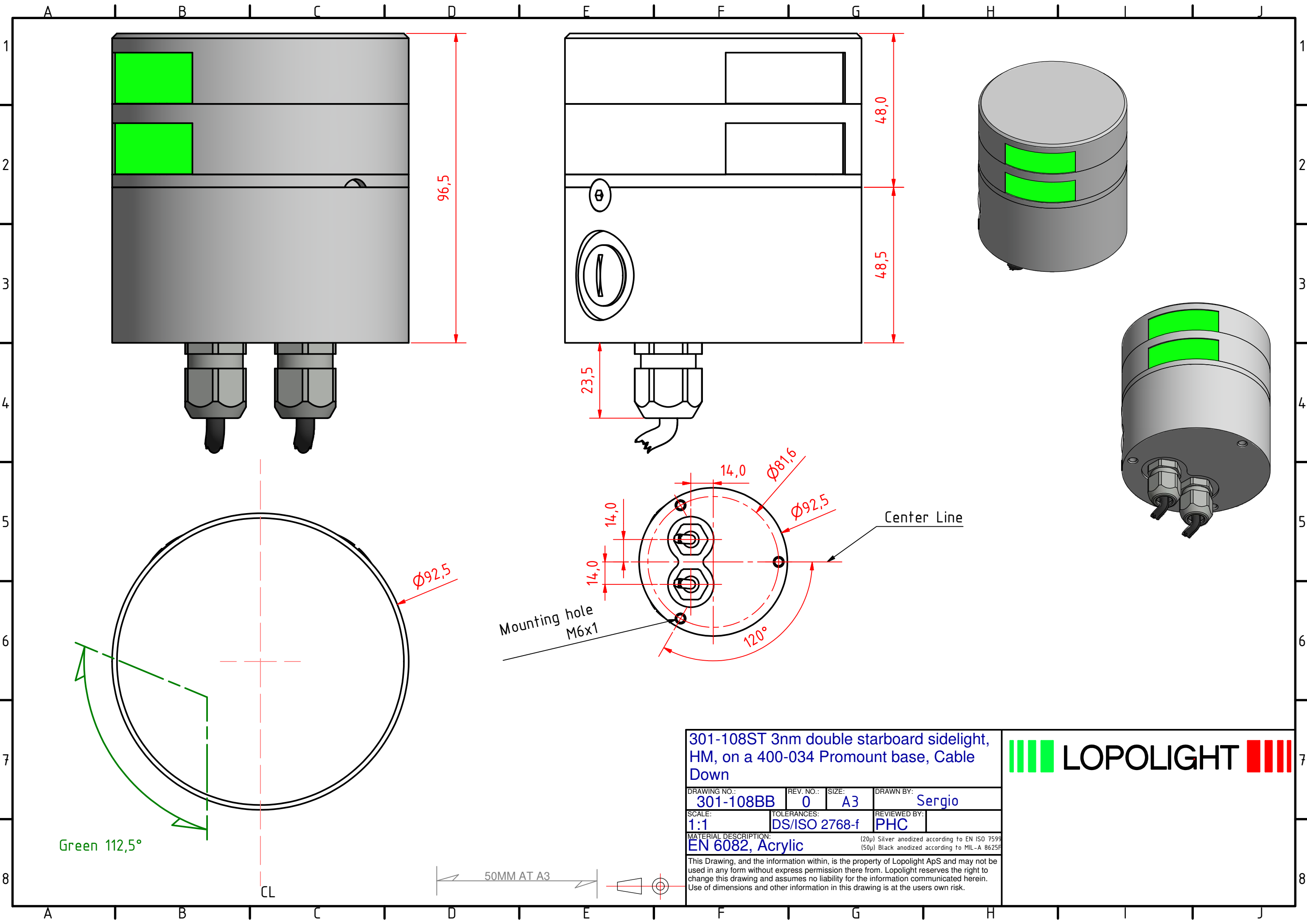
DRAWING NO.:	REV. NO.:	SIZE:	DRAWN BY:
301-108AB	0	A3	Sergio

SCALE:	TOLERANCES:	REVIEWED BY:
1:1	DS/ISO 2768-f	PHC

MATERIAL DESCRIPTION:
EN 6082, Acrylic (20µ) Silver anodized according to EN ISO 7599
 (50µ) Black anodized according to MIL-A 8625F

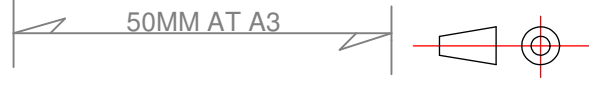
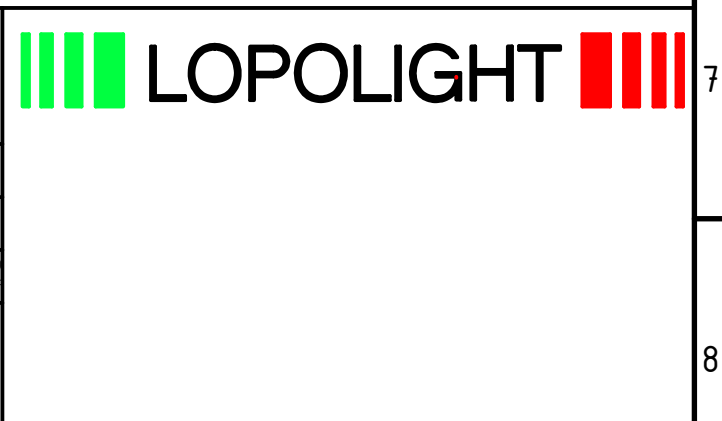
This Drawing, and the information within, is the property of Lopolight ApS and may not be used in any form without express permission there from. Lopolight reserves the right to change this drawing and assumes no liability for the information communicated herein. Use of dimensions and other information in this drawing is at the users own risk.

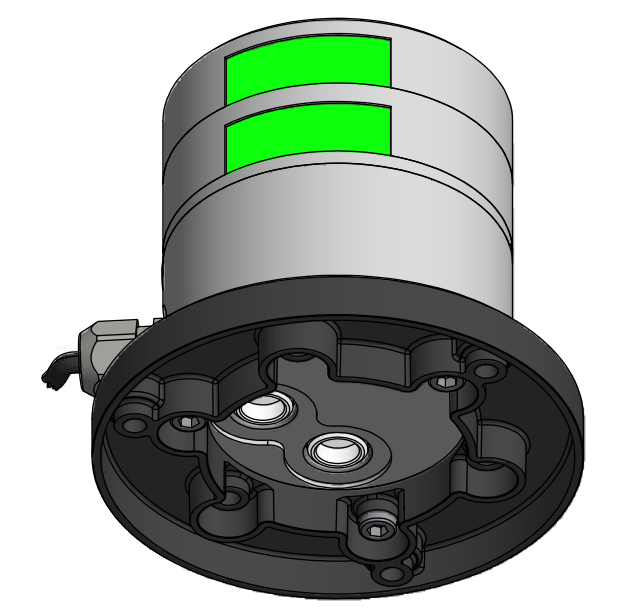
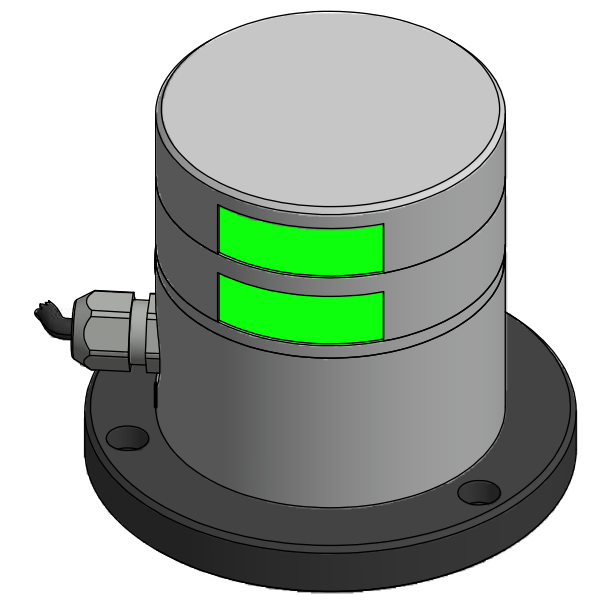
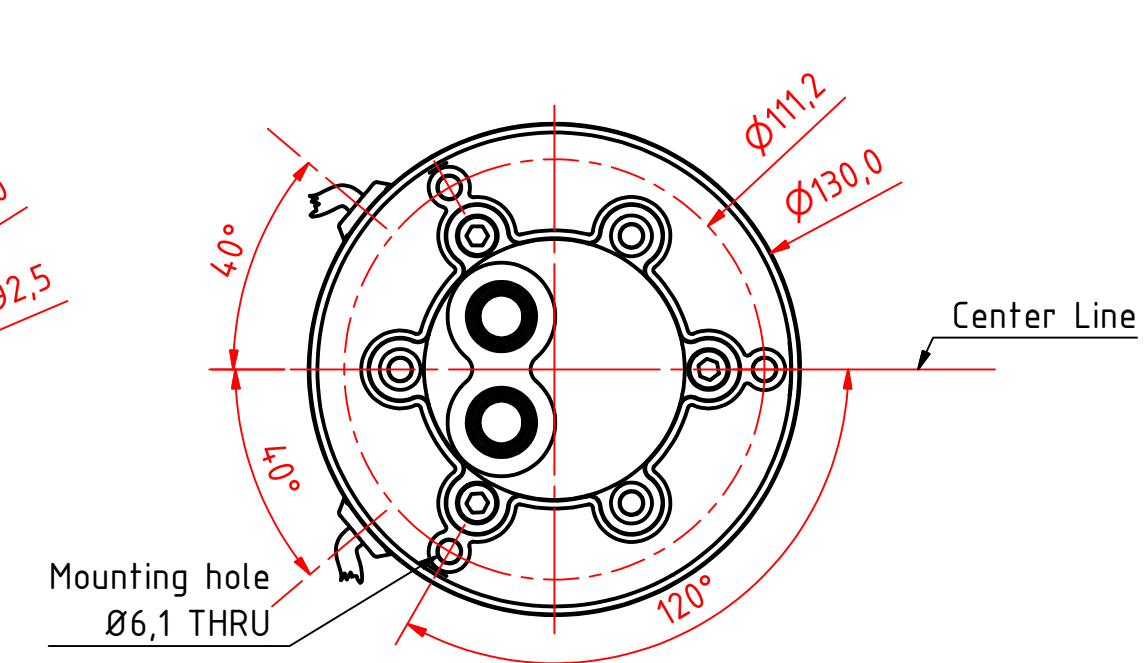
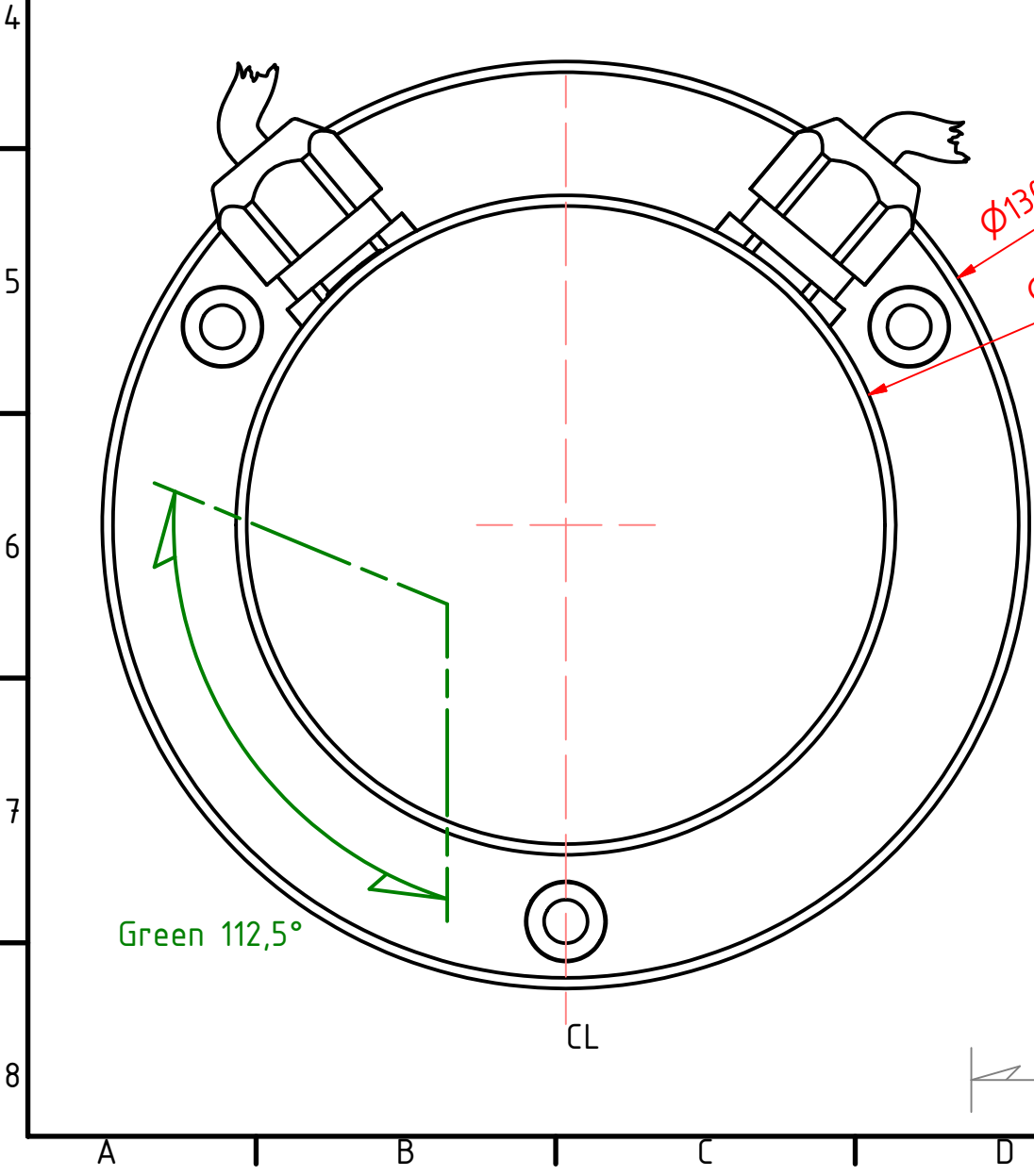
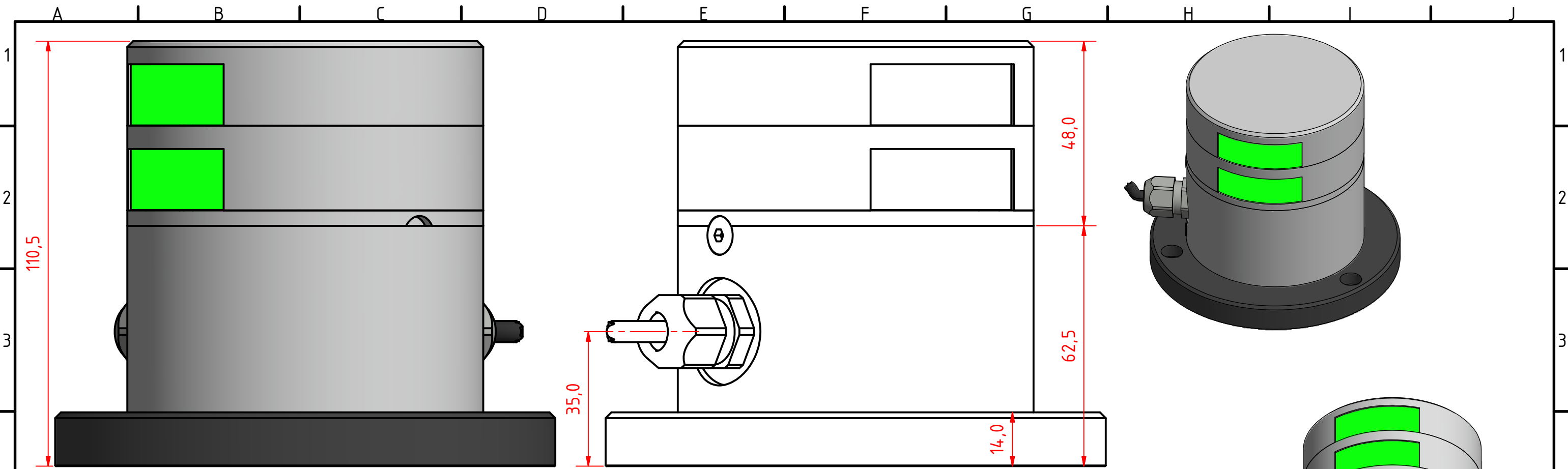




301-108ST 3nm double starboard sidelight, HM, on a 400-034 Promount base, Cable Down

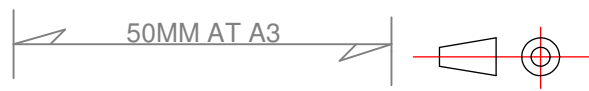
DRAWING NO.:	REV. NO.:	SIZE:	DRAWN BY:
301-108BB	0	A3	Sergio
SCALE:	TOLERANCES:	REVIEWED BY:	
1:1	DS/ISO 2768-f	PHC	
MATERIAL DESCRIPTION:			
EN 6082, Acrylic		(20µ) Silver anodized according to EN ISO 7599 (50µ) Black anodized according to MIL-A 8625F	
This Drawing, and the information within, is the property of Lopolight ApS and may not be used in any form without express permission there from. Lopolight reserves the right to change this drawing and assumes no liability for the information communicated herein. Use of dimensions and other information in this drawing is at the users own risk.			

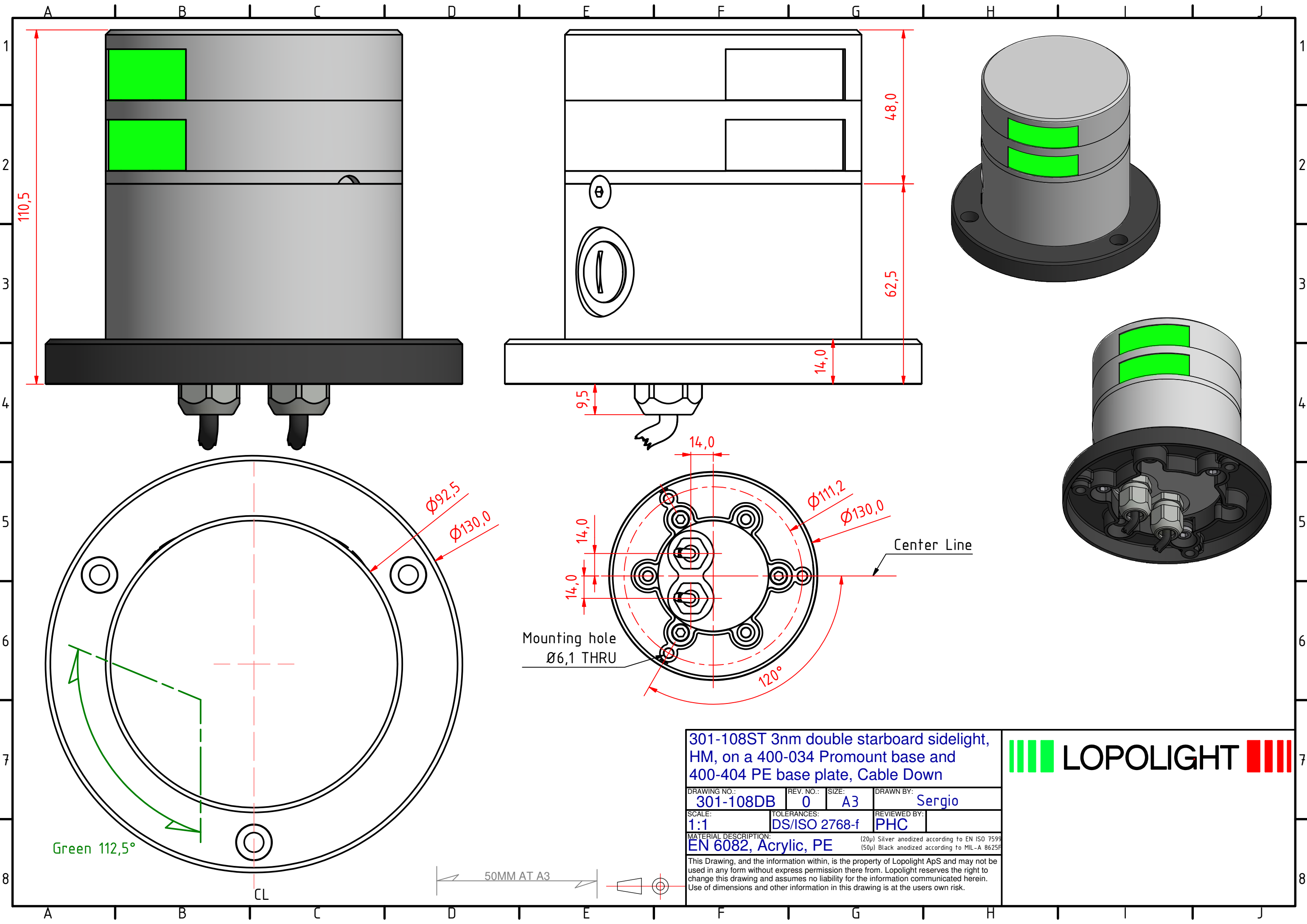




301-108ST 3nm double starboard sidelight, HM, on a 400-034 Promount base and 400-404 PE base plate, Cable Side

DRAWING NO.:	REV. NO.:	SIZE:	DRAWN BY:
301-108CB	0	A3	Sergio
SCALE:	TOLERANCES:	REVIEWED BY:	
1:1	DS/ISO 2768-f	PHC	
MATERIAL DESCRIPTION:			
EN 6082, Acrylic, PE		(20µ) Silver anodized according to EN ISO 7599 (50µ) Black anodized according to MIL-A 8625F	
This Drawing, and the information within, is the property of Lopolight ApS and may not be used in any form without express permission there from. Lopolight reserves the right to change this drawing and assumes no liability for the information communicated herein. Use of dimensions and other information in this drawing is at the users own risk.			





301-108ST 3nm double starboard sidelight, HM, on a 400-034 Promount base and 400-404 PE base plate, Cable Down

DRAWING NO.: **301-108DB** REV. NO.: **0** SIZE: **A3** DRAWN BY: **Sergio**

SCALE: **1:1** TOLERANCES: **DS/ISO 2768-f** REVIEWED BY: **PHC**

MATERIAL DESCRIPTION: **EN 6082, Acrylic, PE** (20µ) Silver anodized according to EN ISO 7599
 (50µ) Black anodized according to MIL-A 8625F

This Drawing, and the information within, is the property of Lopolight ApS and may not be used in any form without express permission there from. Lopolight reserves the right to change this drawing and assumes no liability for the information communicated herein. Use of dimensions and other information in this drawing is at the users own risk.



50MM AT A3

Green 112,5°

Center Line

Mounting hole
 Ø6,1 THRU

Ø92,5
 Ø130,0

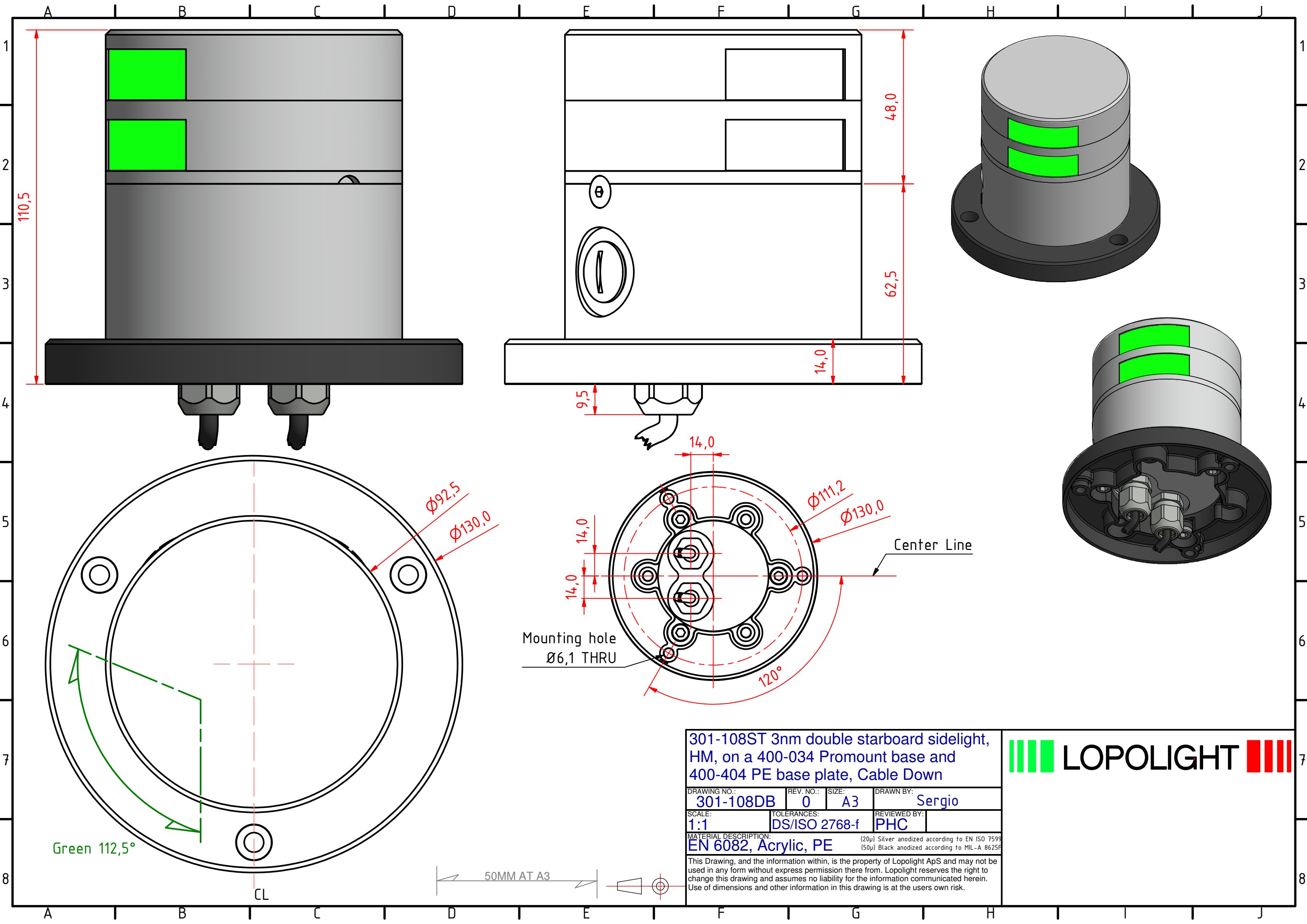
14,0
 14,0
 14,0
 14,0
 14,0
 14,0
 120°

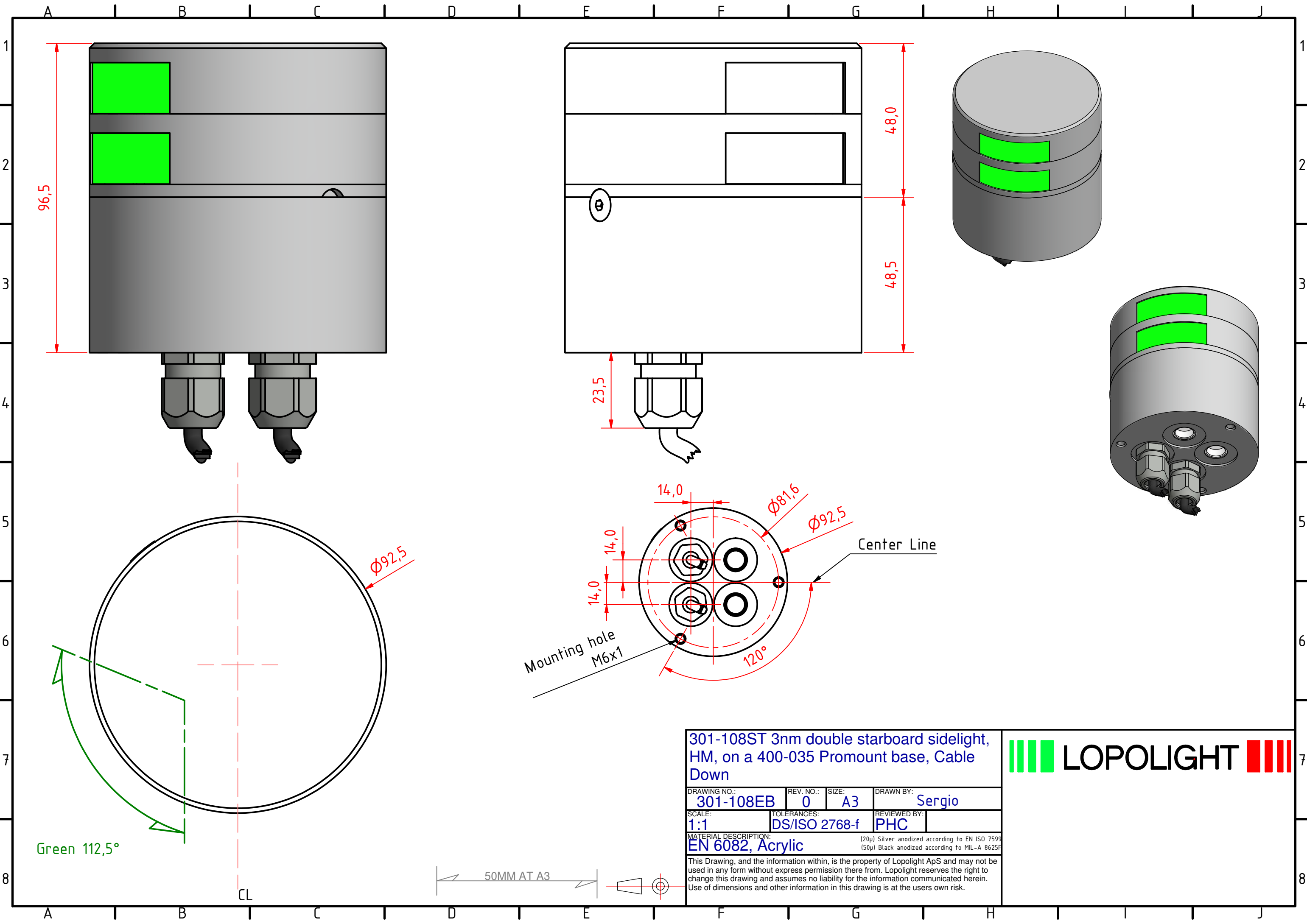
14,0

48,0

62,5

110,5





Green 112,5°

50MM AT A3

301-108ST 3nm double starboard sidelight, HM, on a 400-035 Promount base, Cable Down

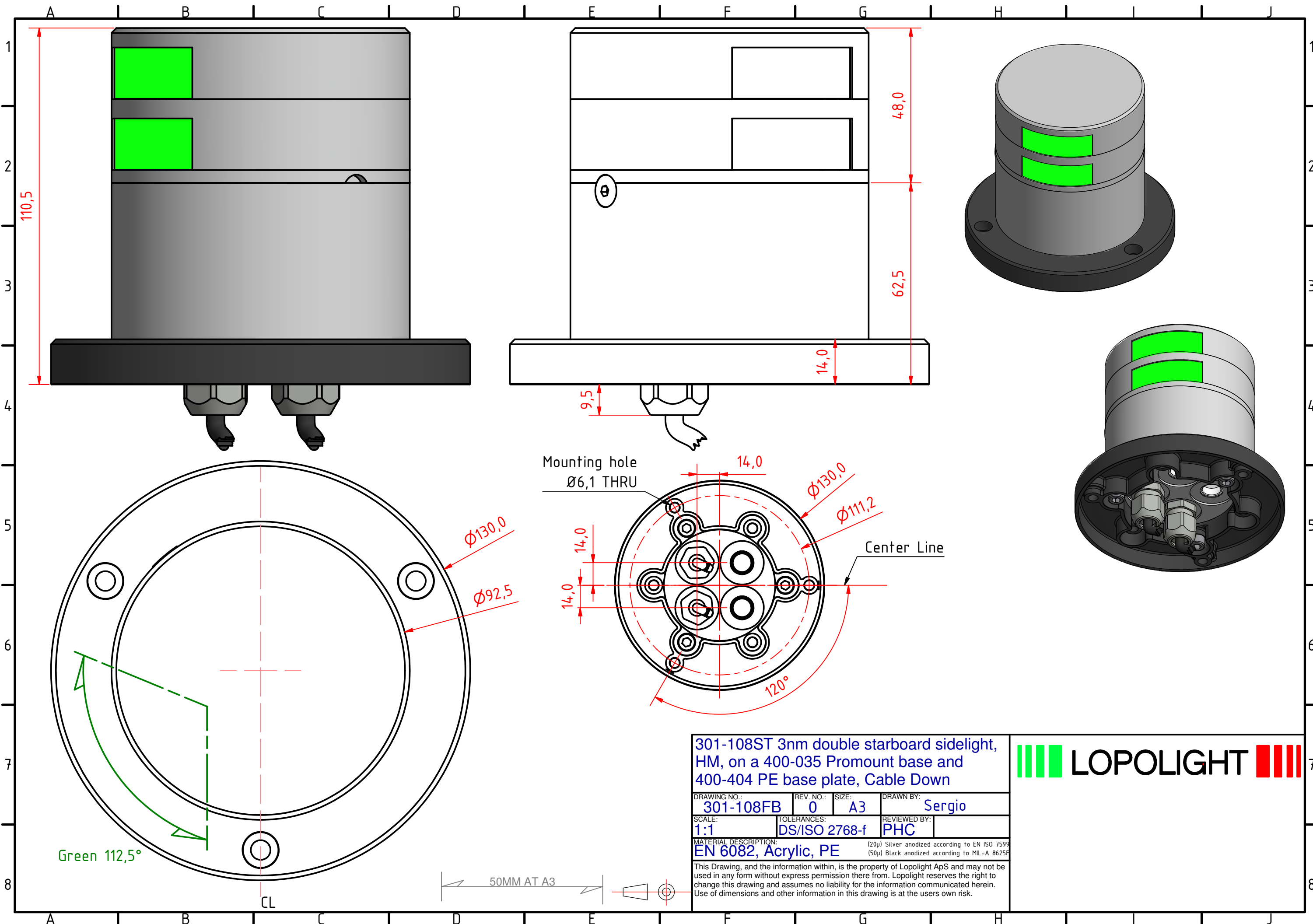
DRAWING NO.:	REV. NO.:	SIZE:	DRAWN BY:
301-108EB	0	A3	Sergio

SCALE:	TOLERANCES:	REVIEWED BY:
1:1	DS/ISO 2768-f	PHC

MATERIAL DESCRIPTION:
EN 6082, Acrylic (20µ) Silver anodized according to EN ISO 7599
 (50µ) Black anodized according to MIL-A 8625F

This Drawing, and the information within, is the property of Lopolight ApS and may not be used in any form without express permission there from. Lopolight reserves the right to change this drawing and assumes no liability for the information communicated herein. Use of dimensions and other information in this drawing is at the users own risk.





301-108ST 3nm double starboard sidelight, HM, on a 400-035 Promount base and 400-404 PE base plate, Cable Down

DRAWING NO.: 301-108FB	REV. NO.: 0	SIZE: A3	DRAWN BY: Sergio
SCALE: 1:1	TOLERANCES: DS/ISO 2768-f	REVIEWED BY: PHC	

MATERIAL DESCRIPTION:
EN 6082, Acrylic, PE (20µ Silver anodized according to EN ISO 7599) (50µ Black anodized according to MIL-A 8625F)

This Drawing, and the information within, is the property of Lopolight ApS and may not be used in any form without express permission there from. Lopolight reserves the right to change this drawing and assumes no liability for the information communicated herein. Use of dimensions and other information in this drawing is at the users own risk.

